

Type:

Fixture:

Project:

Approved:

CREATE-A-COVE™

ROUND (CACR) and SQUARE (CACS)

Save on Time and Construction Costs for your next Cove Lighting project. Easy to install and effective for New Build or Retrofit applications.

ADA Compliant

CREATE-A-COVE is a surface mounted housing that's part of a linear cove lighting system for interior design applications. It's specifically designed to use our CoveLine™ Series products. LED CoveLine™ luminaires are sold separately. The modular system allows designers to add Cove Lighting without the additional time and expense of builders and finishers to construct a wall cove. It's perfect for creating design accents, wall washes and grazing effects, beneficial to both large and small spaces. **CREATE-A-COVE** is a heavy-walled extruded aluminum that can be run in a continuous linear pattern. It's a basic two-part housing that has a round or square face option that also includes 90° inside and outside corners.



CACR - Create-A-Cove Round



CACS - Create-A-Cove Square



Create-A-Cove Square application shown above.

SPECIFICATION

| | |
|--------------------------|---|
| dimensions [L x W x H] | 8'x 3.6" x 3.375" (Round) and 3.33" (Square), 8 ft. and 4 ft. straight lengths can be cut in the field. Inside / Outside Corners refer to page 2. |
| weight | Round = 2.2 lbs per foot, Square = 2.5 lbs per foot |
| housing | heavy-walled, extruded aluminum (8' and 4' lengths) made for cutting in the field. |
| lenses | clear Lens accessory available (48" lengths) can be cut in the field. |
| mounting | surface/wall mount straight cleat that round or square housing attaches to, and inside/outside corners. Supports universal orientation installation. |
| environment | indoor applications using SSL CoveLine Series fixtures, IP20 rated for interior use only. |
| installation | (Need to provide factory a room layout or shop drawing to prepare bill of materials) View Install Video - https://youtu.be/ha2ncCylbPc |

Due to continuous development and improvements, specifications are subject to change without notice.

Construction - Heavy walled, extruded aluminum design. Durable enough to fasten to any interior surface.

Housing - Surface mounted system with round or square face option that fasten directly to a universal wall cleat. Uses alignment keys to ensure straight linear runs. Round or Square End Caps are used to finish linear runs with exposed ends. Alternatively a linear run can stop at a wall corner and the housing terminates against the wall. The system uses a Light Leak Blocks (for round and square) to prohibit possible light leakage where the linear housings install and meet end-to-end.

Lens - Optional clear lens available. Typical amount supplied to match the linear length in feet indicated.

Mounting - Universal Wall Cleat attaches to wall first, then the round or square housing sets into keyed grooves and is secured in place by set screws.

Finish - Choose from our four standard colors of White, Silver, Bronze and Black, or any custom color to match your design. Our paint system uses a six-stage chemical pre-treatment process that includes iron phosphate, to prepare the substrate for a UV stable, super durable standard polyester powder coat.

LED Source - LED CoveLine™ luminaires are sold separately. Create-A-Cove system is designed to work with all our indoor linear CoveLine™ Series; ECVLX10V (0-10V), ECVL, ECVLX, CVL, CVLX, and CoveLine Color (10 static LED colors to choose from). The systems uses the standard CoveLine mounting brackets, included with the fixture.

Note: A drawing with space dimensions is required to obtain a quote for Create-A-Cove.

CATALOG NUMBER

| CAC | | | | Example: CACR-225FT-BR | |
|---------------------------|--|-------|--------------|------------------------|---|
| model | length in feet* | color | | option | |
| CACR CREATE-A-COVE ROUND | XX-FT* Feet indicated by total run lengths | WH | White | CL | Clear Lens (to match linear length in feet) |
| CACS CREATE-A-COVE SQUARE | | SL | Silver | | |
| | | BZ | Bronze | | |
| | | BK | Black | | |
| | | CC | Custom Color | | |

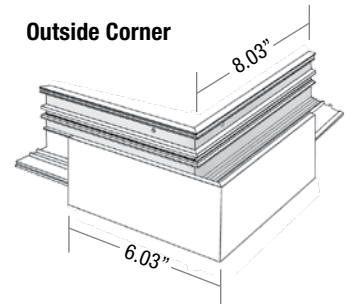
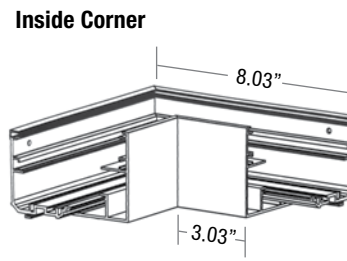
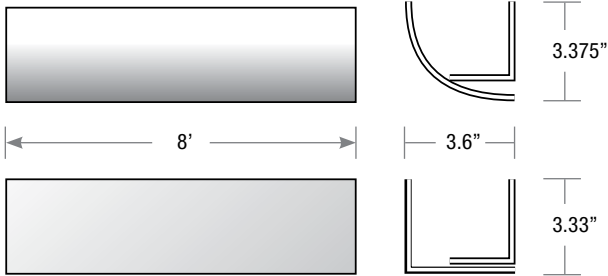
* A drawing with space dimensions is required to obtain a quote for Create-A-Cove.

Other items included:

- End Caps for ending runs (if needed)
- Alignment Keys with Screws
- Light-leak Tab Inserts for seams
- 8/32 Set Screws / Driver
- 1/2" wide x 1/4" thick Foam Tape
- Touchup Paint

Accessories (Indicate quantity needed.) _____ **SSL-ICR** Inside Corner Round _____ **SSL-ICS** Inside Corner Square
 _____ **SSL-OCR** Outside Corner Round _____ **SSL-OCS** Inside Corner Square

DIMENSIONS



Round and Square in 8 foot and 4 foot lengths can be modified in the field.

Inside and Outside corners measure the same length for both Round and Square faces. Note that the Wall Cleat is 2" longer at each end.

Note: A drawing with space dimensions is required to obtain a quote for Create-A-Cove.

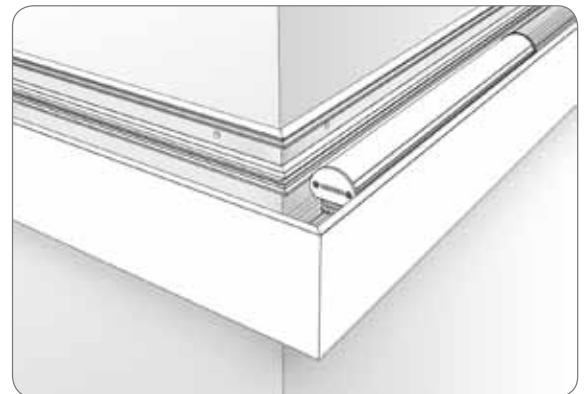
See our CoveLine Linear Indoor product line to determine your required lighting specification. Contact a local representative near you for product details. Visit SolidStateLuminaires.com and click on **Rep Locator**.

CoveLine™
Linear Luminaires



Create-A-Cove is designed to easily work with our Indoor CoveLine Series luminaires.

CoveLine Series fixtures fit into mounting assembly.

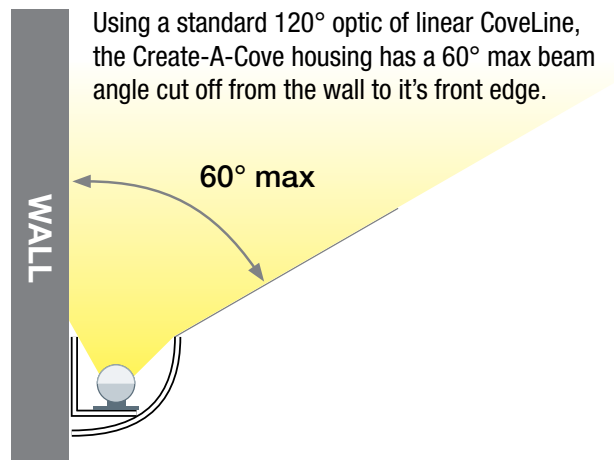


Linear Indoor, CoveLine Series fixtures can fasten to the Wall Cleat and are housed by the face and lens.

LED Source

Linear Indoor LED CoveLine™ luminaires are sold separately. Create A Cove system is designed to work with all our indoor linear CoveLine™ Series;

- ECVLX10V** (0-10V) - 512Lm/ft @ 4K, 5.8W/ft, 2 optics
- ECVL** -380Lm/ft @ 4K, 3.5W/ft, 120° optic
- ECVLX** - 600Lm/ft @ 4K, 5.5W/ft, 2 optics, 10 LED colors
- CVL** - 930Lm/ft @ 4K, 10W/ft, 7 optics
- CVLX** - 1025Lm/ft @ 4K, 11W/ft, 2 optics



APPLICATION

No wall construction required to create high-design appeal.

Create-A-Cove
View Video
Installation



If needed:

- Round or Square End Caps for ending runs



Accessory Kit includes:

- 8/32 Set Screws / Driver
- Extra Set Screws



Other items included:

- 1) Alignment Keys with Screws
- 2) Light-leak Tab Inserts for seams
- 3) 1/2" wide x 1/4" thick Foam Tape
- 4) Touchup Paint (not shown)

