

Date:	Approved:
Type:	
Fixture:	
Project:	

FCC813i Series

8-inch Cylinder with high output for interior use only. Wall Mount, or Pendant Style. Extruded and Die-Cast Aluminum construction with ventilation system.



ORDERING

EXAMPLE: FCC813Wi-120V-4K-5000-BK-FL-LD

SERIES	VOLTAGE	SOURCE/TEMPERATURE	LED LUMENS	FINISH	LED OPTICS	ACCESSORIES
FCC813Wi	120V	LED 27K	5000 Lumens (55W)	BK Black	SP Spot	LD LED Dimming-1% (0-10V)
FCC813Pi	277V	3K		BZ Bronze	NFL Narrow Flood	APLX Additional Pendant Length
		35K		SL Silver	FL Flood	BBU Battery Backup, Remote
		4K		WH White	WFL Wide Flood	
		5k		CC Custom Color		

SPECIFICATION

MOUNTING

- Wall mounts directly to standard recessed junction box with fixture in the down position only.
- Pendant (18 in, standard length) is provided with swivel canopy. Additional pendant lengths available.

CONSTRUCTION

- Marine grade, corrosion resistant, heavy walled, high pressure extruded aluminum with die cast aluminum end plates and back mounting plate.
- Lens is 1/8" thick clear tempered glass with precision formed semi-specular aluminum reflector for maximum reflectance.
- Silicone gasket to provide maximum protection against contaminants. Hidden fasteners allow cover removal for installation and service.

LED

- Lumens stated are the minimum delivered out of the luminaire. LED lifetime is 70,000+ hours with the lumen depreciation greater than L70. Luminaires are tested to LM 80, have a 90+ CRI and up to 2-step MacAdam Ellipse* color consistency (3-step is standard). Integral power supply standard. Input voltage universal 120V-277V is standard.

FINISH

- Eight-stage powder coat process uses six-stage chemical pre-treatment process that includes iron phosphate, to prepare the substrate for a UV stable, super durable standard polyester powder coat. Our powder coat finish passes the 5000 hour Salt Spray Test (ASTM B117).

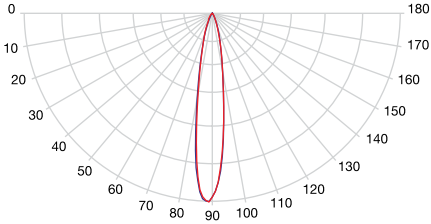
LISTING

- UL & cUL/ETL, U.S. and CA listed for dry location in down position only. IP20 Rating.

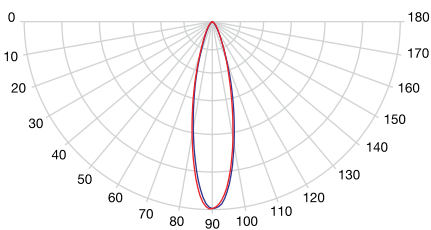
* 2-step MacAdam Ellipse requires longer lead time. (3-step is standard)

PHOTOMETRY

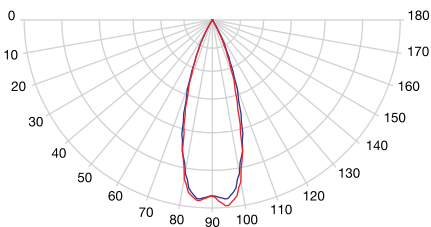
FCC813i 120V LED 4000K 5000 Lumens Spot Distribution



FCC813i 120V LED 4000K 5000 Lumens Narrow Flood Distribution



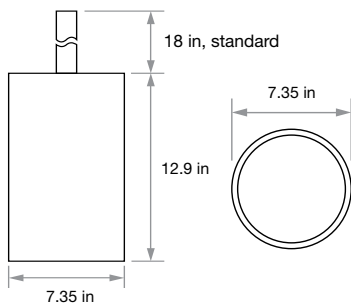
FCC813i 120V LED 4000K 5000 Lumens Flood Distribution



Attractive and unique Ventilation System at both ends of fixture for maximum heat dissipation.

DIMENSIONS

FCC813Pi



FCC813Wi

