

**Dimmable LED/CFL
Incandescent/Halogen
Single Pole or Three Way**



Model No.: 57302

Description: The 57302 is a decorator dimmer switch that provides optimal dimming performance of LED bulbs. This dimmer works with up to 150-Watt of dimmable LED/CFL or 600-Watt of incandescent/halogen, allowing you to control multiple bulb types on the same circuit. By itself, the 57302 is a single pole dimmer. Our unique wiring method allows for multiple switches (requires 57302-3K) to control a single Load at multiple locations

Features:

- Replaces current light switch using home's existing wiring
- Provides wider dimming range for dimmable LED and CFL bulbs than standard incandescent dimmers
- Suitable for multi-gang installations
- Dim lighting for increased energy savings
- Designed for compatibility with most high efficiency light bulbs.

Specifications:

Voltage	120VAC, 60Hz
Incandescent/Halogen	600W
Dimmable LED and CFL.....	150W
Ambient operating temperature:	32 °F to 104 °F (0 °C to 40 °C), 0% to 90% humidity
Warranty.....	2 Years

Testing & Code Compliance



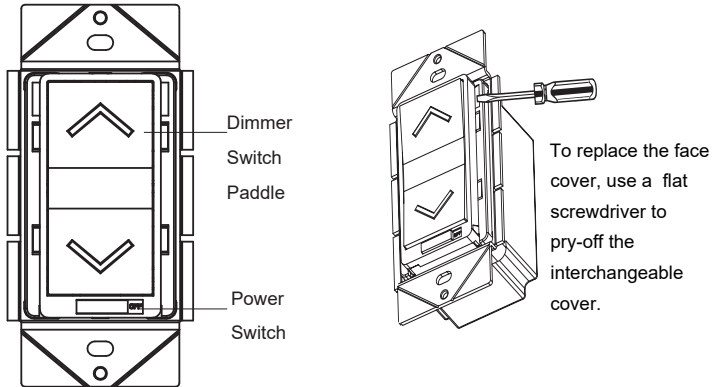
Manual Operation

Manual Control

This dimmer switch allows the user to:

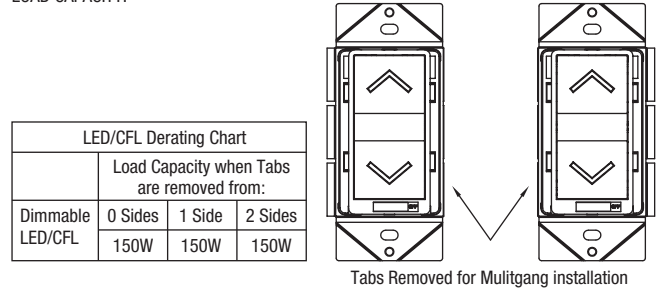
Turn ON/OFF and control the brightness level of the connected LED lighting.

- Slide the power switch to turn the connected lights ON/OFF
- To turn ON the connected lighting: press top of the dimmer switch paddle and release.
- To brighten the connected lighting: press and hold the top of the dimmer switch paddle, release when desired level is achieved.
- To turn OFF the connected lighting: press bottom of the dimmer switch paddle and release.
- To dim the connected lighting: press and hold the bottom of the dimmer switch paddle, release when desired level is achieved.



MULTIGANG INSTALLATION

When installing more than one control in the same wall box, it may be necessary to remove the side tabs before installing (see below). Using pliers, bend each tab back and forth until they break off. Repeat for each tab to be removed. Removal of tabs WILL REDUCE MAXIMUM LOAD CAPACITY.

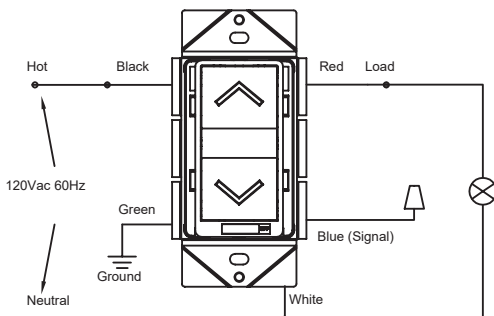


When using the Dimmer to control LED/CFL lights **in conjunction** with another Dimmer to control Incandescent /Halogen lights follow this Derating Chart for Maximum Capacity on **EACH** device.

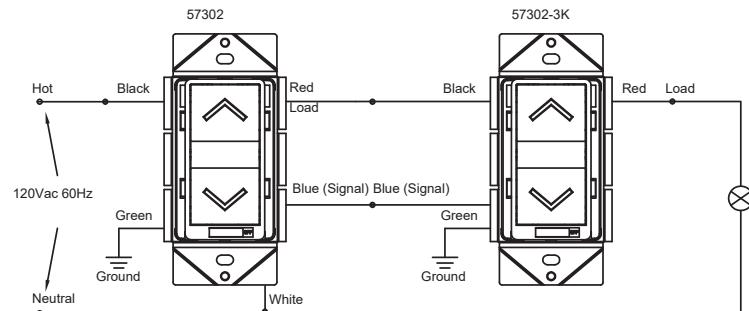
If the combined Wattage of ALL LED/CFL bulbs on 1 dimmer is:	Then the Maximum COMBINED Wattaged for the Incandescent/Halogen bulbs on EACH attached dimmer:		
	If NO Tabs are removed then Max Wattage is:	If 1 side of Tabs are removed then Max Wattage is:	If 2 sides of Tabs are removed then Max Wattage is:
0W	600W	500W	400W
1-25W	500W	400W	300W
26-50W	400W	300W	200W
51-75W	300W	200W	100W
76-100W	200W	100W	50W
101-125W	100W	50W	0W
126-150W	0W	0W	0W

Wiring Diagram:

Single-Pole Wiring



3-Way Wiring: Require 57302-3K remote dimmer



Enerlites Inc.

www.enerlites.com

Phone: 949-756-0536 Fax: 949-756-0528 e-mail: sales@enerlites.com