

Omnipar Adjustable Output LED Retrofit

15W - 50W Adjustable Output LED Retrofit
Retrofit for HID or Incandescent Recessed Can Lights up to 175W



Description

The Omnipar is Evluma's first adjustable output LED retrofit for indoor applications. Developed from the robust Clearlight platform, this unique medium base (E26) direct screw-in retrofit puts design and efficiency choices in the hands of the end user. Ideal for garages, warehouses, transportation tunnels, canopies...anywhere your existing recessed can lighting is located. Adjust the output of each Omnipar from 1-10, between from 15W to 50W, as it is installed to turn your fixed grid into a harmonious, task focused, energy efficient environment.



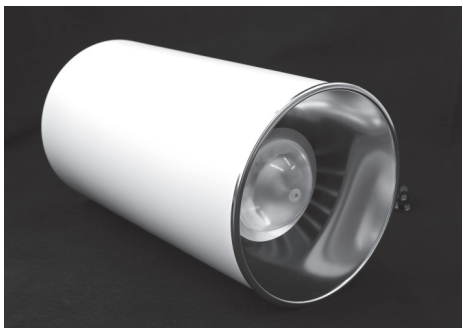
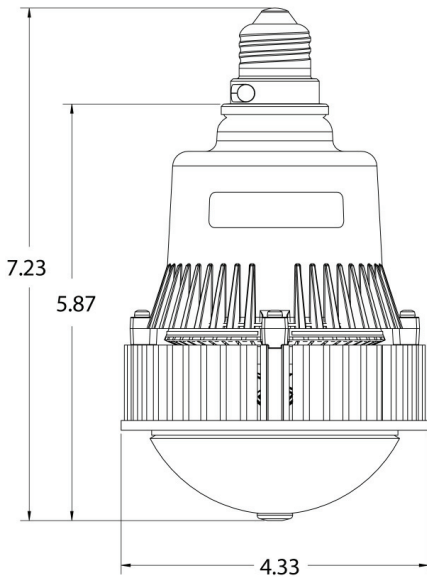
**Service
Concepts**

Sold by Service Concepts
www.serviceconcepts.coop

ENERGY TECH
SOLUTIONS, LLC

evluma

Omnipar Adjustable Output LED Retrofit



Construction

- Die cast aluminium housing and heatsink. Housing is powder coated.
- High efficiency reflective optics with a customized, impact-modified optical acrylic diffused cover.
- Contains 16 long life LEDs.
- Silicone encapsulated integral driver in weathertight compartment.
- Durable and shatter resistant.
- Mercury Free. PCBs and solder are lead free. Emits no UV.

Electrical Performance

- Input Voltage = 120VAC/ 277VAC, 60Hz.
- Power factor >0.9.
- Integral high efficiency LED Driver.
- Class C lightning strike protection for long life in harsh electrical environments.
- Suitable for use in ambient air temperatures -40°C to 45°C. No warm up time is required; on/off is instant without reducing the service life of the lamp.

Thermal Management

Lamp uses active cooling with no frictional parts to rub or wear out. LED life is assured by patent pending protection circuitry that controls current levels to the LEDs based on temperature. Temperature is measured at the LED package, often referred to as the solder point temp, or T_{SP} . At 65°C the fixture begins to cut back on the current to the LEDs to either maintain, or reduce the temperature back down to 65°C. Thermal management is the key to the Omnipar's long life and 70,000 hour L70. Lamps run at output wattages lower than 50W may have an extended L70.

Compatibility

Compatible with HID or Incandescent fixtures up to 175W.

Maintenance Time and Efficiency

Omnipar retrofits require less maintenance than HID or incandescent bulbs; no more replacing the ballast or the starter as neither is required for operation once a Omnipar is installed. Simply set your desired light output level and walk away. Ask a sales representative for a payback calculator.

Warranty

5 year parts and labor warranty.

Name	PN	Watts	Input Voltage	Efficacy (lpw)	CRI	Target CCT	LM-79	LM-80	Driver	Pf	IP Rating
Omnipar	79643154	15-50W	120-277 AC	>63	78	4200°K	Y	Y	940ma	>0.9	65

5 Year Warranty. Lumen Maintenance (L70) at 70,000 hours.

Watts given at typical operating temperature.

LM-79 Photometric data available upon request.

LM-80 data available. In-Situ testing pending.

Evluma is a member of Quality Advocates. All data subject to change without notice.

Made in the U.S.A. of U.S. and imported parts.

