



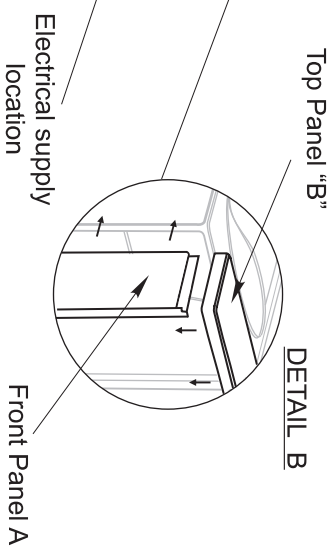
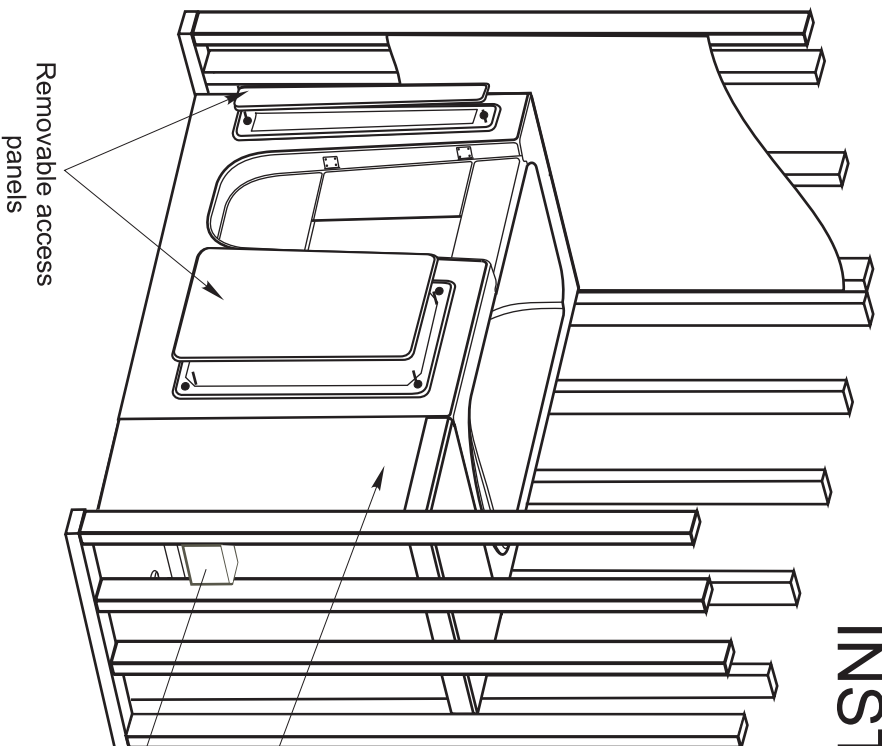
**HD Series Walk-in Bathtubs  
Model 2645**

**INSTALLATION DETAILS**

(45 gal. Operating capacity)

**EXTENSION PANEL INSTALLATION**

- Step 1. Install mounting clips onto end of tub
- Step 2. Slide front panel "A" into mounting clips.
- Step 2. Slide top panel "B" into mounting clips.



38" Water line

