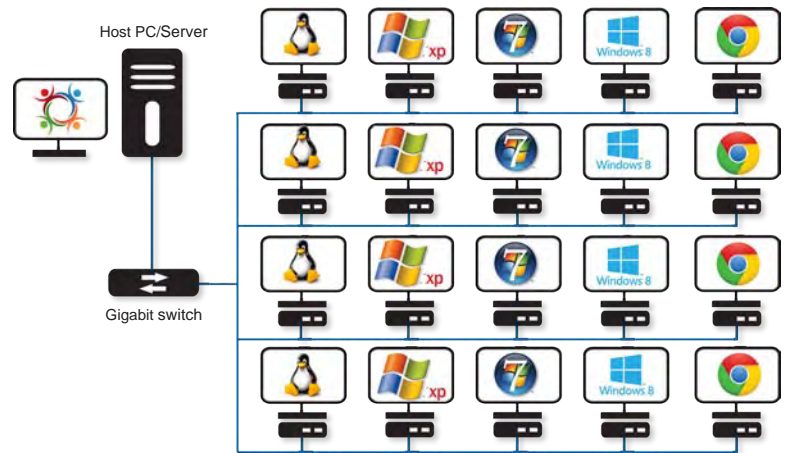


Cloud & Virtual Desktops Made Easy

What is Userful Multiplatform?

- A simple solution to deploy Cloud, Windows™ and Linux desktops on cost-effective zero client devices.
- The **lowest-cost Cloud and Virtual desktop solution** on the market - low-cost high-performance zero clients; pay for VDI licenses only when necessary; and no high licensing cost for virtualization infrastructure.
- Virtualized **Windows** facilitates easy transition to Cloud **and/or Linux** desktops.



Zero client stations connect to the Host PC/Server over the LAN



Host PC/Server can be safely located in the server room



One standard PC with Core i7 processor and 16 Gig RAM can power 20 stations running independent 720p full screen videos.

www.userful.com
 Email: getstarted@userful.com
 Tel (International) : +1.403.289.2177
 Toll-Free (North America): +1.866.873.7385

Useful Multiplatform™ Benefits

High multimedia performance on all stations

- Run full-screen 720p videos on zero client stations.

Save on licensing

- VDI licensing is only needed for the sessions running Windows OS.

Deploy the zero client stations where needed

- Zero clients can be connected to the Ethernet ports and/or to USB ports on the Host PC/Server.

Choose to deploy writable or locked Windows OS session

- When stations are locked, users' changes are removed after each boot.

No single point of failure

- In case of hardware failure, zero clients connected to 1 host through the LAN are automatically transferred to another Useful host in the LAN.

Run cloud sessions

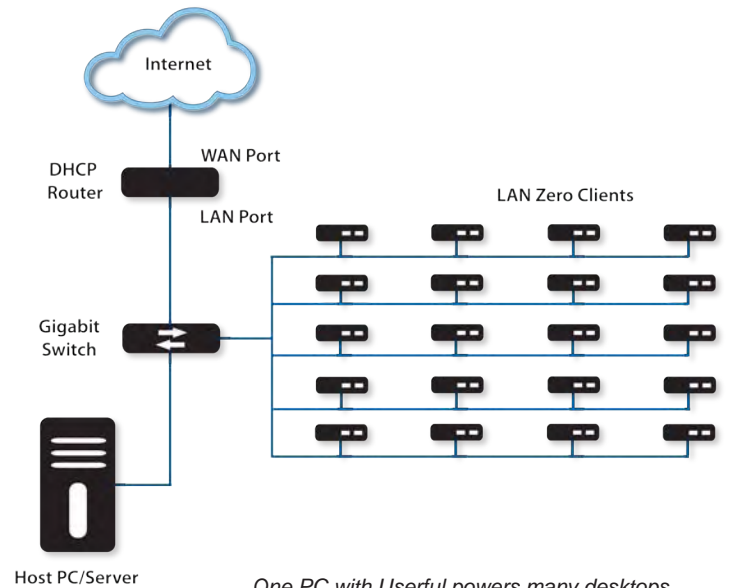
- Users that only need web applications can run browser based stations (no OS needed).

Use RDP connection

- Connect to legacy applications with RDP.

No hardware manufacturer lock-in

- Useful supports zero clients from HP, ViewSonic, LG, Acer and Atrust.



*One PC with Useful powers many desktops
-- with a choice of Linux and/or Windows OS, Chrome cloud
desktop, or remote protocols*

Keep hardware up-to-date without replacing the entire infrastructure

- Replace 1 server every 3-5 years to benefit from technology upgrades.
- The zero clients have a 8-10 year lifespan.

Significant cost-savings

- Zero client devices cost \$70-120, consume 3W of power, and last as long as 10 years.
- Lower up-front and ongoing IT costs.
- Reduce software licensing costs using thousands of free open source applications.
- Reduce electricity consumption by 60%.
- Less space and cabling required.
- Save staff time - install software on 1 PC, and more than 20 users can use it.

Contact Us Today

Useful has partners around the globe who understand your requirements. getstarted@userful.com



Zero clients provide all the benefits of traditional thin clients, but with higher performance and lower costs.