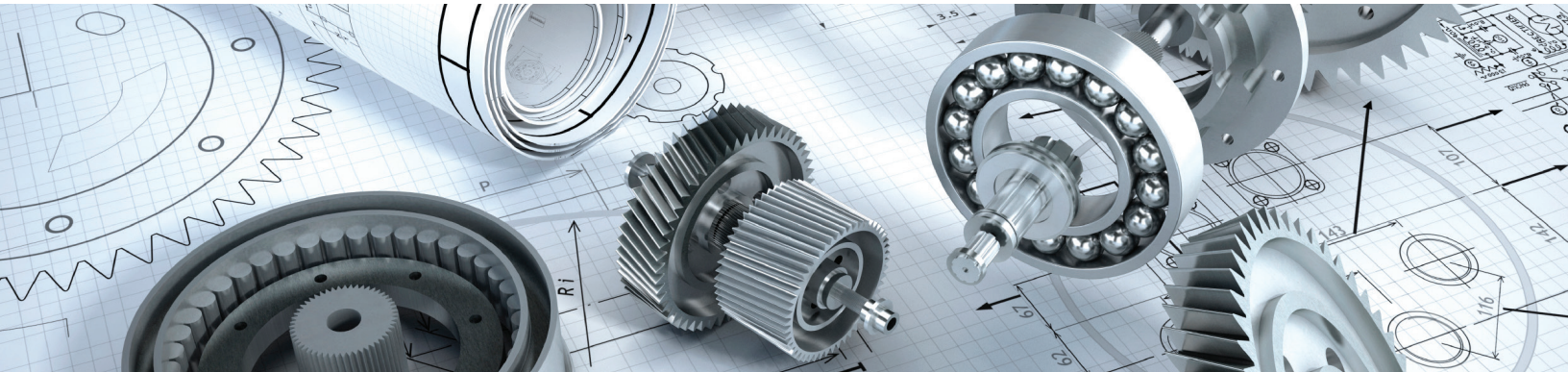




**MICHIGAN MANUFACTURING**  
International



## **Michigan Manufacturing International (MMI)**

### *Delivering World Class Manufacturing Solutions*

Michigan Manufacturing International (MMI) is a broad line supplier of high quality, competitively priced, domestically and internationally sourced mechanical assemblies and components.

We work with you to manufacture or source the products your projects require, including:

- Assemblies
- Castings
- Machined parts
- Stampings
- Plastics
- Bushings
- Gears
- Pulleys
- ...and more

We simplify a complex, detail-driven sourcing and management process for you, handling:

- Design analysis
- Engineering assistance
- Logistics
- JIT/Kanban supply programs
- Global sourcing
- Quality control
- Field source support
- Warehousing
- Shipping

MMI designs the most effective, highest quality solutions from anywhere in the world to meet your needs.

**800-677-0504**  
**[www.michmfg.com](http://www.michmfg.com)**

# Capabilities/Services:

800-677-0504  
www.michmfg.com

---

## Manufacturing

MMI has the skills and experience to manufacture any mechanical assembly or component. We will work with you to engineer the most effective and highest quality solution from anywhere in the world to meet your specific requirements.

MMI has two manufacturing facilities and access to partners and resources across the globe. We have a fully robotic and automated injection molding line in our domestic plant and a mechanical assembly line in our plant in India – and virtually unlimited capabilities through our partners.

---

## Engineering

MMI provides engineering expertise to ensure your products are designed and manufactured to your requirements, from the concept stage to final production. We work in all 2D and 3D computer-aided design formats.

---

## Domestic, Near Sourcing, and Overseas Sourcing

MMI has a network of trusted partners across the globe, including facilities in the U.S., Mexico, China, India, Korea and Vietnam. Our sourcing specialists will analyze your project to determine the best sourcing options. We qualify our suppliers and monitor the production process from start to finish, and provide in-country quality control at every step. We inspect all products before they leave the manufacturing floor, plus we manage shipping logistics to ensure safety, timeliness and cost effectiveness.

---

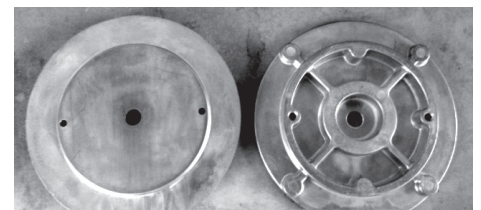
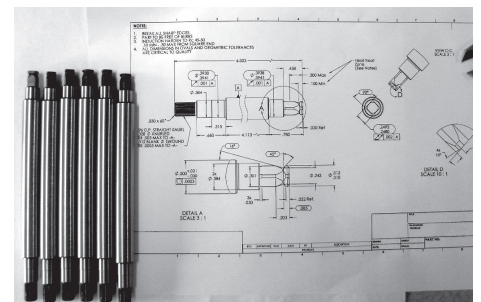
## Stocking Programs

MMI offers warehousing and stocking programs that give you the flexibility of inventory without the carrying costs or loss of warehouse space.

We have warehouses in India, China and the U.S. We support Just-In-Time (JIT), Kanban and consignment delivery systems. MMI offers services and solutions to help eliminate waste and reduce costs.

## Why MMI?

We specialize in finding the right solution for you, your budget and your timeline – including domestic, near-sourcing and overseas manufacture and supply solutions. MMI provides the service you'd expect from a domestic manufacturer, with the cost savings realized from sourcing and manufacturing overseas. Our specialists will help you determine the best process to achieve your desired result – and manage all of the logistics required to take your project from concept to delivery. Call 800-677-0504 to get started.



# Products:



MICHIGAN MANUFACTURING  
International

---

## Assemblies

### ***Assemblies are our specialty!***

We will work with you to determine the best mechanical process for your project to ensure solid, fail-safe construction. MMI does more than the assembly itself. We are a full-service provider and will coordinate all aspects of your project, bringing together the necessary components and managing the logistics.

Processes we use include:

- Robotic and manual welding
- Insert molding
- Brazing, soldering, and adhesive bonding
- Snap and friction assemblies, fastener assemblies
- Swaging

---

## Finishing / Heat Treating

The exact methods and processes we use for heat treating and finishing are determined by your project. Finishing can include any number of processes applied to the surface of your product to achieve your desired outcome, including painting and plating. Heat treating processes include normalizing, annealing, tempering, quenching and case hardening.

---

## Standard Products

MMI supplies standard products including:

- Precision and non-precision bearings
- Rollers
- Ball transfers
- Hardware
- Bushings
- Standard fasteners and hardware

---

## Shaping

MMI creates custom parts through a variety of shaping processes, depending on the project requirements. Shaping can involve the molding or casting of metals, including aluminum, zinc, magnesium, iron, steel and bronze. Processes include:

- Die casting
- Investment casting
- Permanent mold casting
- Sand casting

Secondary processes include:

- Machining
  - Turning
  - Milling
  - Boring
  - Tapping
  - Broaching
  - Sawing
  - Reaming
- Electric discharge machining
- Cutting
  - Laser
  - Water jet
  - Turret press

MMI offers a variety of methods to shape plastic parts, including:

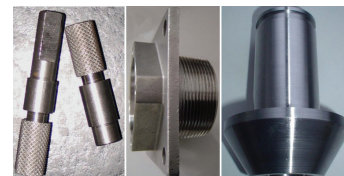
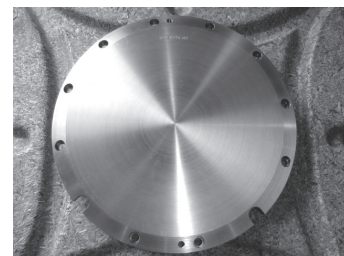
- Injection molding
- Thermoforming
- Blow molding
- Rotational molding

---

## Any Project – Large or Small

We make assemblies and components that range in size from miniature machined parts that weigh a few grams to sand castings that weigh several tons.

***Contact MMI today for your next project.***





**MICHIGAN MANUFACTURING**  
International

**Michigan Manufacturing International (MMI) specializes in supplying manufactured to print assemblies and components to original equipment manufacturers (OEM). Our products include assemblies, castings, stampings, machined parts, gears, bearings and more. Our services include product engineering, manufacturing, inventory management and stocking programs — services designed to streamline your operations and increase your profitability. We design the most effective, highest quality solutions from anywhere in the world to meet your needs.**

**Contact us today to learn how we can deliver world class manufacturing solutions for your projects.**

**800-677-0504**  
**[www.michmfg.com](http://www.michmfg.com)**