

NDiS M533

Embedded Computer Powered by 4th Generation Intel® Core™ Processor
Based OPS Digital Signage Platform



Main Features

- 4th generation Intel® Core™ i5-4400E processor family
- Intel® HD Graphics with DirectX 11.1 support
- Dual DDR3L SO-DIMM support
- WWAN/ WLAN/ TV Tuner support
- Support for Intel® AMT9.0

Product Overview

NDiS M533 is an OPS-compliant media player powered by 4th generation Intel® Core™ processors. Following open pluggable standard, NDiS M533 can perfectly fit into a myriad of OPS-panels and is compact in size. Yet, NDiS M533 has high scalability, allowing for easy storage capacity expansion through pluggable 2.5" storage unit and effortless functional extension through Mini Card expansion modules. Changing system memory is also made simple. In addition, NDiS M533 leverages the 4th generation Intel® Core™ processors to deliver outstanding graphics whilst limiting the power usage. The superb but power-efficient NDiS M533 can therefore maximize visual impacts for digital signage applications.

Specifications

CPU Support

- 4th generation Intel® Core™ i5-4400E BGA type processor

Chipset

- Intel® QM87

Graphic

- Intel® integrated HD 4600

Main Memory

- 2 x 204 pin SO-DIMM socket, support DDR3L 1600 MHz with un-buffered and non-ECC SDRAM up to 16GB

I/O Interface-Front

- 1 x Power button
- 1 x Reset button
- 1 x HDD LED
- 4 x USB3.0
- 1 x HDMI
- 1 x Mic-in / Line-out
- 1 x 2.5" HDD slot
- 1 x RJ45 with LEDs for Gigabit LAN
- 1 x RJ45 for RS-232
- 2 x Antenna hole

I/O Interface-Rear

- 1 x TMDS
- 1 x Display Port
- 1 x UART
- 1 x Audio out L/R
- 2 x USB2.0
- 1 x USB3.0
- DC input +12V~+19V
- Control signals (PWR_STATUS, PS_ON#, PB_DET, CEC, SYS_FAN)

Storage Device

- 1 x 2.5" SATA storage bay for HDD/ SSD

Expansion

- 1 x mini-PCIe for optional WLAN/TV tuner module
- 1 x SIM slot

Dimensions

- 200mm (W) x 119mm (D) x 30mm (H) (7.8" x 4.7" x 1.1")

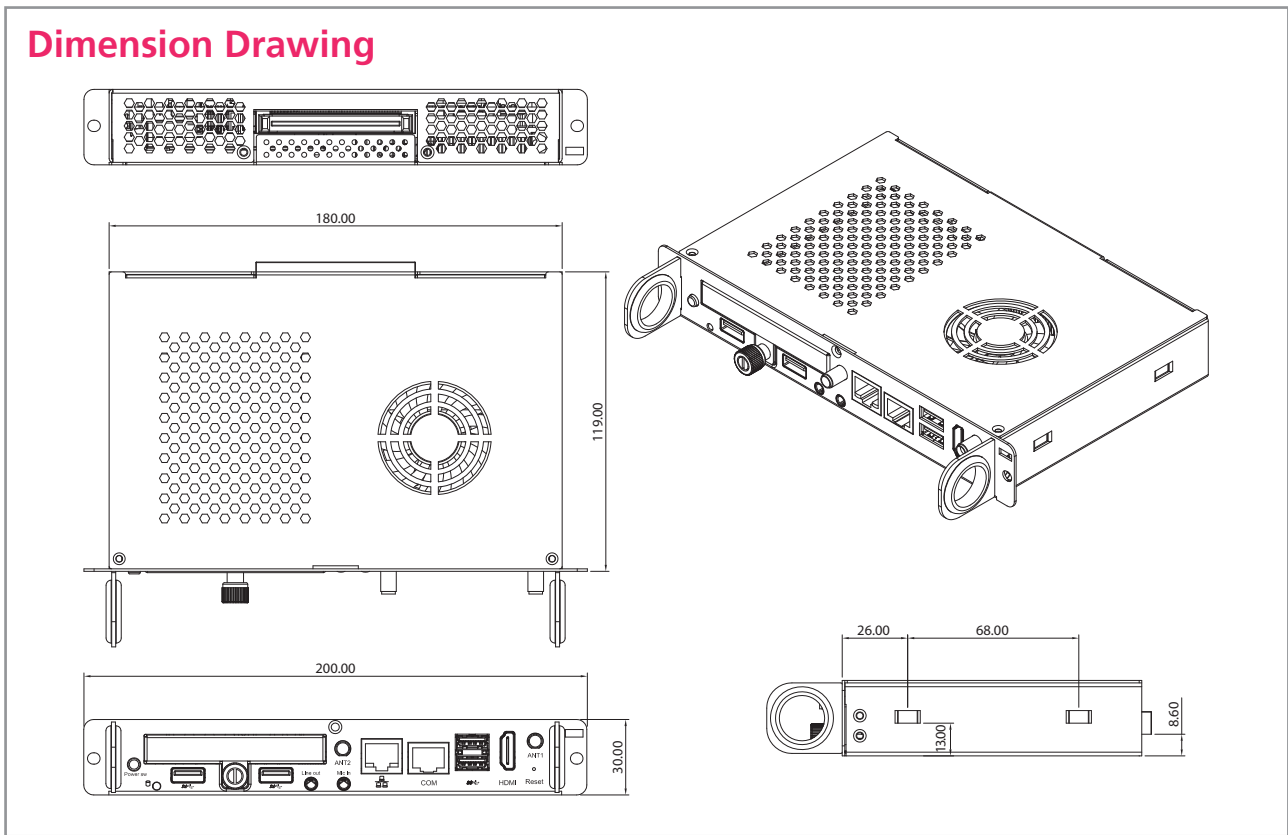
Power Power Supply

- DC power input +12V~19V

Environment

- Operating temperature: ambient with air flow from 0°C to 45°C
- Storage temperature: -20°C to 80°C
- Humidity: 10 to 90% (non-condensing)

Dimension Drawing



Certification

- CE approval
- FCC Class A

Operating System

- Windows7/ Windows8 / WES7/ WES8/ Linux

Ordering Information

- **NDiS M533 (P/N: 10W00M53300X0)**

4th generation Intel® Core™ i5-4400E BGA type processor OPS, Intel® QM87 chipset