

Professional Ballet Barres for your performance space

Quality Ballet Barres



“Specialty Theatre have designed and manufactured quality theatre equipment since 1969. Our products are installed in 38 countries around the world”

NOTE: Specifications are subject to change without notice. While all due care and attention has been taken in the preparation of this document, Specialty Group Pty Ltd shall not be liable for any inaccuracies or omissions which may occur therein.

Manufactured by
Specialty Group Pty Ltd
ACN 137 410 434

Description

Custom made and installed, quality ballet barres for dance studios, rehearsal and performance spaces. Each barre is custom designed for the required space and finished to client's specifications. The 48mm Tasmanian Oak rails provide a sturdy barre for rehearsal and performance spaces.

The completed dance barre can be fixed from wall brackets or from floor staunchions. Brackets and staunchions are made of steel and provide the required support. All barres are powder coated for a clean finish. Portable dance barres are also available for mobile use.

Wall brackets and staunchions are normally located at 1.8m centres, although can be made to specific requirements.

Features

- Quality materials
- Professional finish
- Custom made to your requirements
- Sturdy

 **specialty theatre™**

... passion for performance

40 Tennyson Street, Williamstown VIC 3016 AUSTRALIA

TOLLFREE: 1800 832 185 | **FAX TOLLFREE:** 1800 832 285

PHONE: +61 3 9028 0310 | **FAX:** +61 3 9397 3400

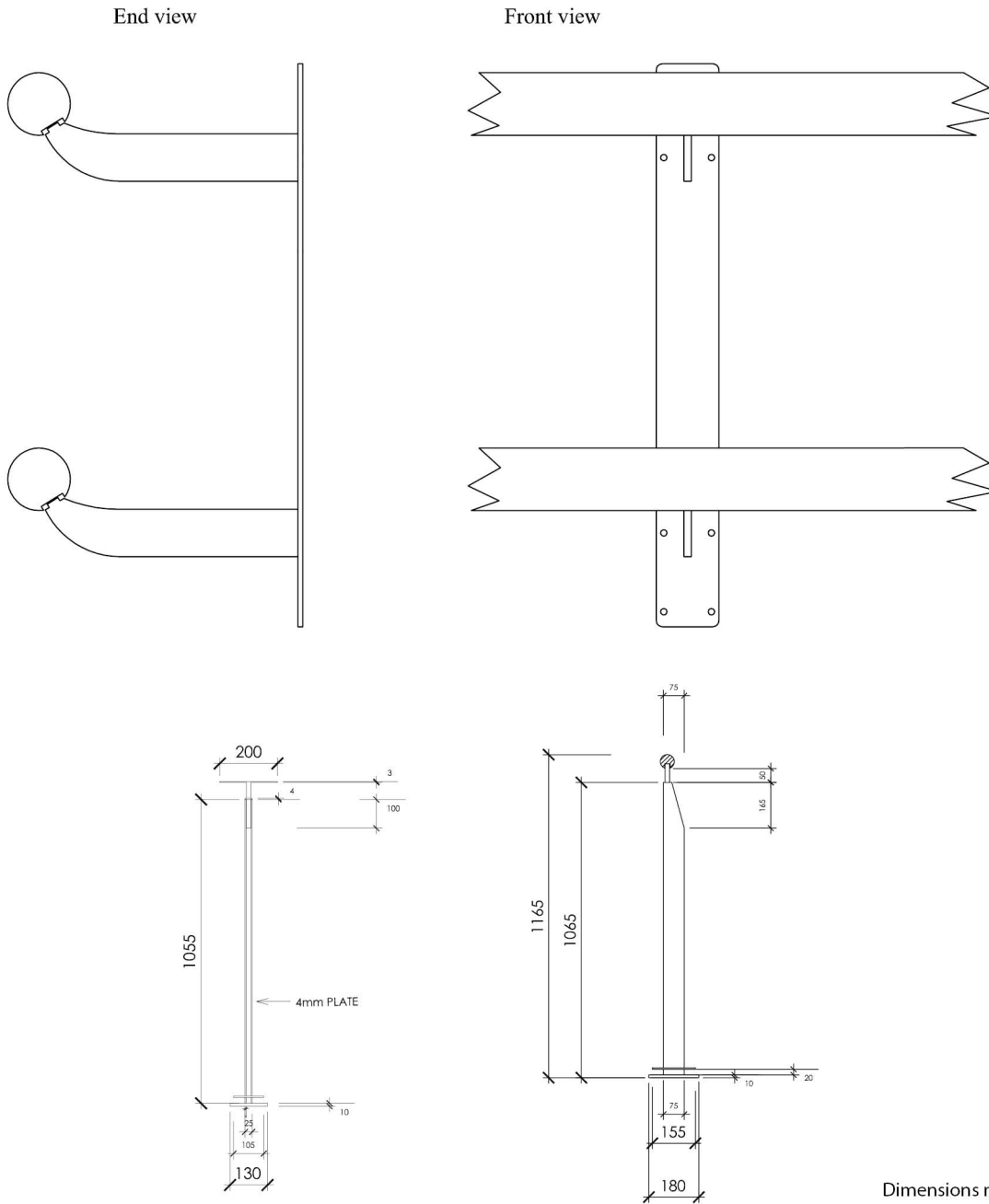
EMAIL: info@specialtytheatre.com

WEB: www.specialtytheatre.com

Technical Specification Sheet

ARCHITECT'S/ENGINEER'S SPECIFICATION

Ballet Barres are available as - wall mounted barres - floor mounted barres - portable barres.



Dimensions may vary.

Quality Ballet Barres