



Zhaga aims to enable independent interchangeability of LED modules and drivers

The Zhaga Consortium, which develops specifications for interchangeable LED light engines, has decided that it will also aim to enable LED modules and drivers that are independently interchangeable.

March 13, 2014

The Zhaga Consortium has decided that it will aim to enable LED modules and drivers that are independently interchangeable. This is in addition to Zhaga's stated aim to enable interchangeability of LED light engines.

At present, the Zhaga interface specifications (known as Books) define interchangeable LED light engines (LLEs). Such LLEs may have an integrated driver, or may consist of a driver that is separated from one or more LED modules.

Currently, Zhaga Books exclude the electrical interface between the module and the driver. The consequence is that, for LLEs having a separate driver, it may not be possible to interchange LED modules from different suppliers without also using a different driver, or vice versa.

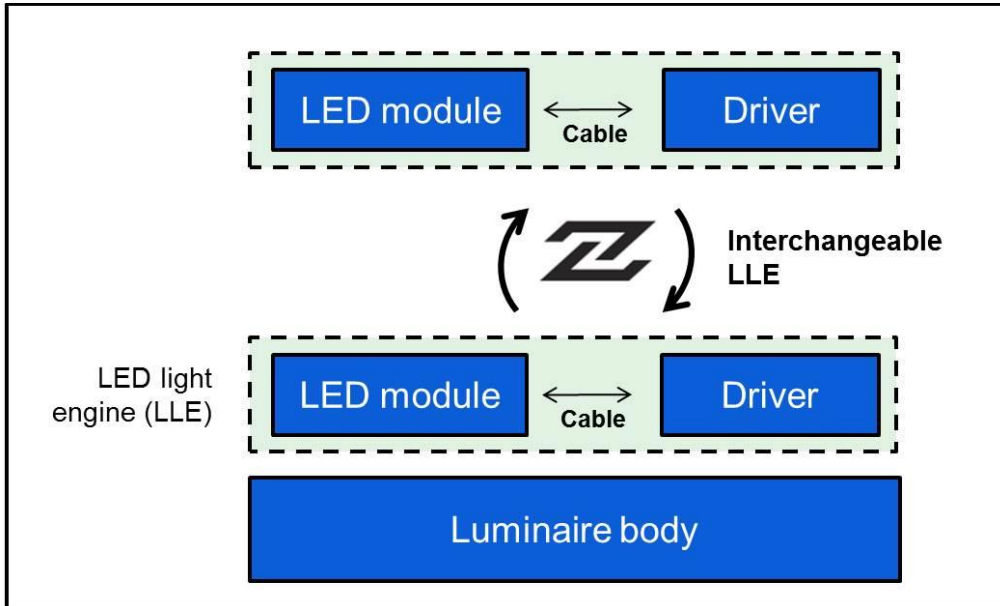
With this decision, the Zhaga Consortium is responding to the market need for LED modules and LED drivers that are independently interchangeable.

To achieve this independent interchangeability, future editions of Zhaga Books may need to include references to specifications that define the module-driver electrical interface.

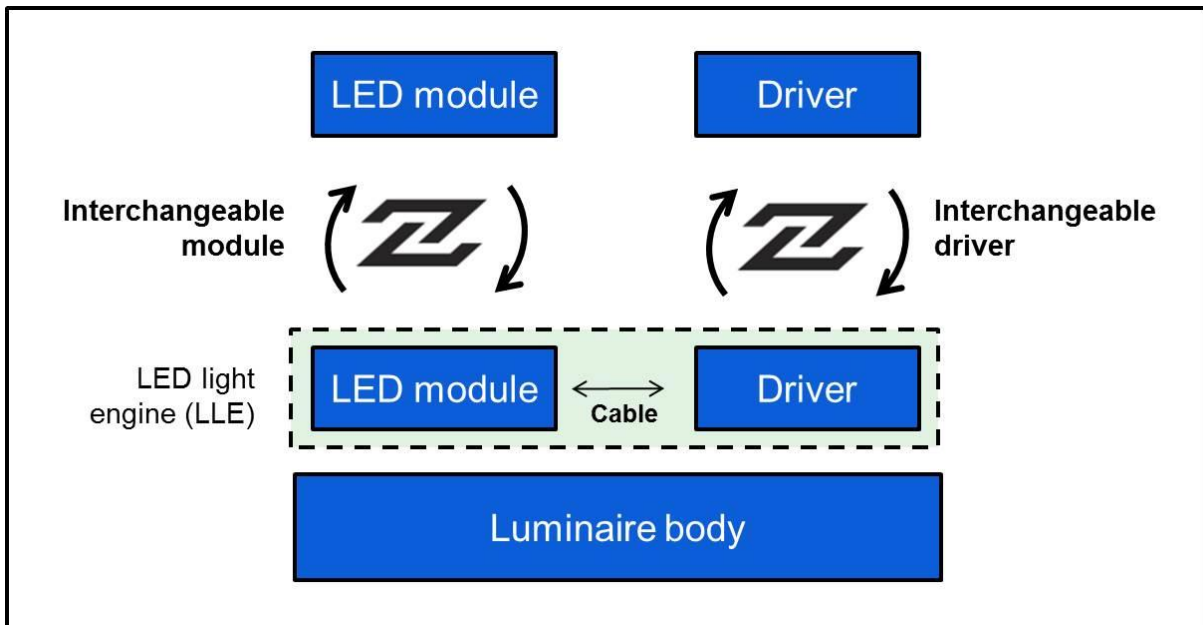
In the four years since Zhaga was formed, technical solutions have emerged that make it possible to define module-driver interfaces for specific application segments without limiting innovation in LED module and driver technology.

"The Zhaga Consortium believes that now is the right time to develop specifications for the module-driver interface and enable independent interchangeability of LED modules and LED drivers," said Musa Unmehopa, who will replace Menno Treffers as Secretary General of the Zhaga Consortium on April 1, 2014.

Zhaga is identifying other organizations that are also interested in developing driver-module interface specifications. Zhaga's desire is for these interfaces to be defined quickly and without unnecessary duplication of efforts in the lighting industry.



Current situation: According to current Zhaga Books, full interchangeability applies only to the complete LED light engine (LLE). It may not be possible to interchange the LED module(s) without also changing the driver, or vice versa.



Future situation: Zhaga aims to enable full and independent interchangeability of LED modules and drivers.



About Zhaga

The Zhaga Consortium develops interface specifications that enable the interchange of LED light engines manufactured by different companies. Zhaga is a global cooperation, with members that include luminaire makers, lamp manufacturers, LED module makers, and companies that supply components and materials to the lighting industry.

Zhaga's approach is to specify the interfaces between LED light engines and LED luminaires. Each Book defines the interfaces – mechanical, thermal, photometric, electrical and control – for different categories of LED light engine. Using Zhaga specifications, a luminaire maker can use LED light engines from different suppliers without having to change the design of the luminaire.

Contact

For further information, please contact:

Tim Whitaker
Marketing Communications, Zhaga Consortium
Tel. +44 (0)7825 216 329
Email: marcom@zhagastandard.org
Web: www.zhagastandard.org



Notes for Editors: Frequently Asked Questions

What change is Zhaga announcing?

Zhaga will aim to enable LED modules and drivers that are independently interchangeable. This is in addition to Zhaga's stated aim to enable interchangeability of LED light engines.

How will this change be achieved?

Future editions of Zhaga interface specifications (Books) will – where appropriate – include references to specifications that define the electrical and mechanical interfaces between LED modules and drivers.

Why is the change necessary?

Currently, Zhaga specifications define interchangeable LED light engines (LLEs). For LLEs having a separate driver, it may not be possible to interchange LED modules from different suppliers without also needing to change the driver, or vice versa.

What issues does this cause?

If the module and driver have to be replaced together, this limits the options of luminaire makers and end users, and may lead to unnecessary replacement of viable components. There is also confusion in the market, because all Zhaga light sources (LLEs and LED modules) are not fully interchangeable.

The change that Zhaga is announcing will offer flexibility by ensuring that drivers and modules are independently interchangeable.

Why hasn't Zhaga solved this issue before now?

Until now, Zhaga has excluded the electrical interface between the module and the driver from the Zhaga Books. This is because of concerns that defining the interface would limit innovation in both LED modules and drivers.

Why is Zhaga making the change now?

There is strong market demand to resolve the issues described above and ensure that modules and drivers are fully interchangeable.

In the four years since Zhaga was formed, technical solutions have emerged that make it possible to define module-driver interfaces for specific application segments without limiting the innovation in LED module and driver technology.

How long will it take to implement the changes?

Zhaga's desire is for these specifications to be developed quickly and without unnecessary duplication of efforts in the lighting industry.