

# PRODUCT DATASHEET

# EXELL BATTERY™

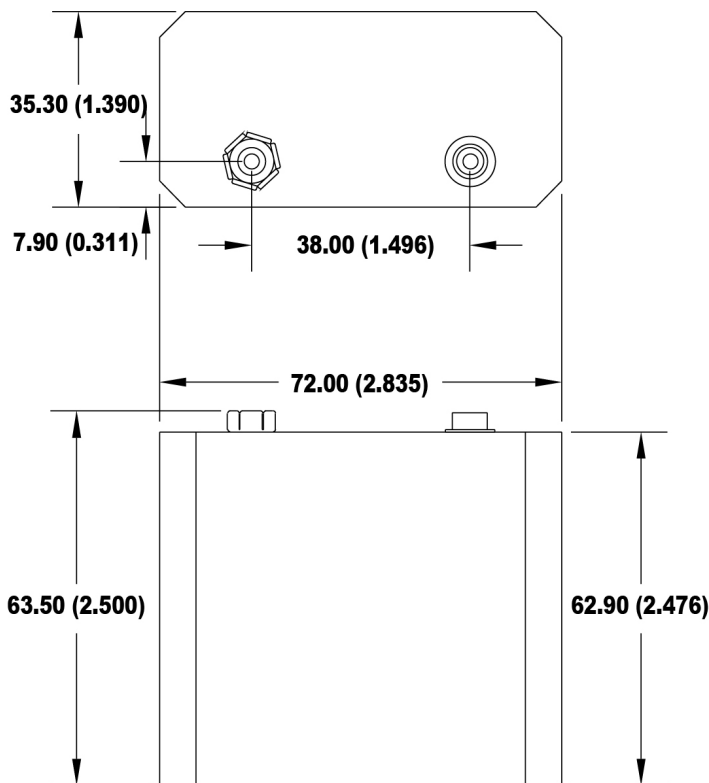
1-800-515-2423 USA/CAN

www.exellbattery.com

## EXELL 203/200 – 457/467



**Industry Standard Dimensions**  
mm (inches)



**Chemical System:** Alkaline Manganese

**Designation:** ANSI/NEDA-203/200, IEC-45F40/45F30

**Battery Voltage:** 67.5 Volts

**Average Weight:** 352 grams (12.4 oz.)

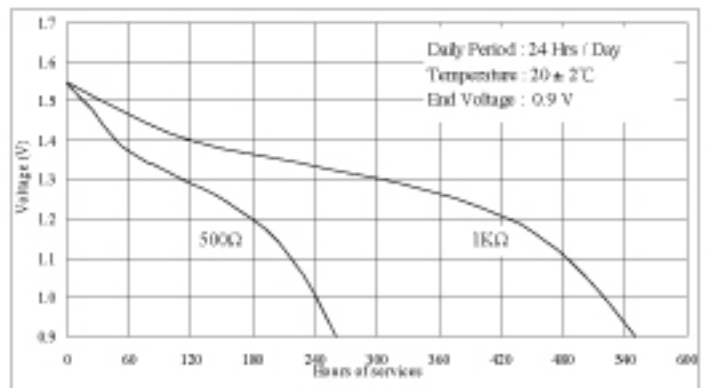
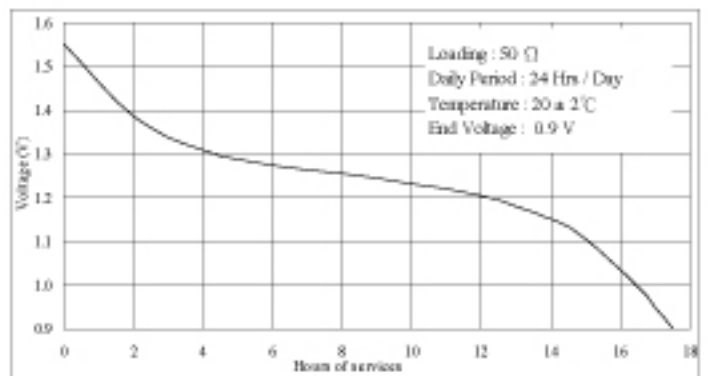
**Volume:** 157 cubic centimeters (9.6 cubic inch)

**Average Capacity:** 700 mAh to 0.9 volts/cell  
(Rated at 1K $\Omega$  continuous drain at 21°C)

**Cells:** Forty-Five L2366 in series

**Jacket:** Fish Paper

### Standard Discharge Curve of Cells :



### Important Notice

This data sheet contains information specific to batteries manufactured at the time of its publication.

Contents herein do not constitute a warranty.

Copyright © BatteriesInAFIash.com®, Inc. DBA Exell Battery™ All Rights Reserved