

**Product Information**

Project Name	Type
Catalog Number	Date

**SPECIFICATIONS**

**Features**

- Low wattage LED Sanitube ideal for many food processing applications.
- Internal optical diffuser used for controlled, soft, uniform light distribution without pixilation.
- Tested to National Sanitation Foundation (NSF) for splash zone rating; IP65, IP66 & IP67 rated.
- Heavy duty one-piece non-metallic housing with gasketed ends caps & corrosion resistant stainless steel hardware prevents water entry & rust.
- Long-life LEDs at L80 (80% lumen maintenance) at 60,000 hours reduce life cycle maintenance costs.
- Mounting: wall, ceiling or suspended.
- Available in 4' and 8' lengths.
- Up to 100 lumens per watt.
- Color Rendering Index (CRI) > 80.
- Made In USA. Meets ARRA & Buy American requirements.

**Construction**

- Extruded acrylic enclosure eliminates risk of residue buildup
- Frosted optical diffuser reduces glare
- Certain airborne contaminants can diminish integrity of acrylic. Contact factory for chemical compatibility.
- Stainless steel end caps sealed with one-piece silicone gasket
- Threaded center stud end cap ensuring positive mechanical seal
- Stainless steel mounting brackets included
- Watertight cord system available
- Weight: 1x4 -12 lbs. 1x8 - 24 lbs.

**Electrical**

- Input Voltage Range: 100-277 VAC Nom. (90-305 V Min/Max)
- Frequency: 50/60 Hz Nom. (47-63 Hz Min/Max)
- Active Power Factor Correction
- Power Factor: >0.90 @ full load, 100V through 277V
- Inrush Current: 60 Amps max @ 230 VAC, cold start 25°C
- Harmonic Distortion: THD < 20% @ full load
- Protection: Over-Voltage, Over-Temperature (110°) & Short Circuit with self-recovery
- Compliant to FCC Part 15 requirements for EMI/RFI emissions
- NEC/CEC compliant ballast disconnect is standard
- Optional surge protection: ANSI Std. C62.41.2 Category A (10 kV)



**Certifications**

- CSA listed for U.S. & Canada. Tested to UL 1598 & UL 8750 standards.
- Luminaires bear appropriate listing labels.
- Adheres to LM79, LM80 and TM21 industry standards.
- DesignLights Consortium® (DLC) qualified.
- Please refer to the DLC website for specific product qualifications at [www.designlights.org](http://www.designlights.org).

**Application**

- Standard for wet locations such as:
  - Food processing
  - Commercial kitchens
  - Industrial areas
  - Under awnings
  - Cold storage
  - Clean rooms
  - Car washes
  - Breweries

**Warranty**

- Five-year warranty. (Terms and Conditions Apply)

**CERTIFICATION**



**ORDERING INFORMATION**

**EXAMPLE SNL-1X8-ML-F-UL-40K-CWH6**

MODEL	SIZE	LUMEN OUTPUT	DRIVER OUTPUT	DRIVER VOLTAGE	COLOR TEMP	CORD PLUG	OTHER
SNL LED Sanitube Food Service Strip	1x4 1x4 Nominal 1x8 1x8 Nominal <sup>1</sup>	XL Extra Low LW Low ML Medium HL High	F Fixed DM 0-10v Dimming <sup>2</sup> BL Bi-Level <sup>3</sup>	UL Universal 120-277 VAC	40K 4000 50K 5000 <sup>1</sup>	CWH6 6' Watertight Cord, No Plug CWH12 12' Watertight Cord, No Plug CWH25 25' Watertight Cord, No Plug	LSP Lighting Surge Protector JP Job Pack

**FOOTNOTES**

- <sup>1</sup> Non DLC.
- <sup>2</sup> Must be used in conjunction with lighting controls.
- <sup>3</sup> Bi-Level driver must be controlled by sensor or A/B switching.

**PHOTOMETRIC DATA**

Test: L04141604  
Test Date: 04/09/2014

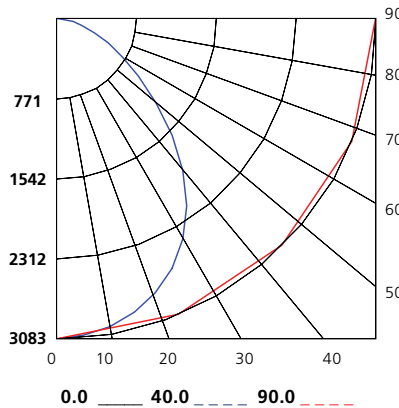
**PHOTOMETRIC DATA: SNL-1X4-HL-F-UL-40K**

All published luminaire photometric testing performed to IESNA LM-79-08 standards by a NVLAP certified lab.

**LUMINAIRE DATA**

Luminaire	<b>SNL-1X4-HL-F-UL-40K</b>
	<b>LED Sanitube</b>
Ballast	<b>LED96W-034-C2800-M-D</b>
Ballast Factor	<b>1.00</b>
Lamp	<b>LED</b>
Fixture Lumens	<b>8861</b>
Watts	<b>93</b>
Mounting	<b>Wall, Suspended &amp; Ceiling</b>
Shielding Angle	<b>N/A</b>
Spacing Criterion	<b>0° = 1.20 90° = 1.26</b>
Luminous Opening in feet	<b>Length: 3.94</b> <b>Width: 0.50 (Diameter)</b> <b>Height: 0.50 (Diameter)</b>

**INDOOR CANDELA PLOT**



**ZONAL LUMEN SUMMARY**

Zone	Lumens	%Lamp	%Fixt
0-20	1121	N.A.	13
0-30	2366	N.A.	27
0-40	3830	N.A.	43
0-60	6488	N.A.	73
0-80	7996	N.A.	90
0-90	8338	N.A.	94

**AVG. LUMINANCE (Candela/Sq. M.)**

	0.0	22.5	45.0	67.5	90.0
0	3083	3083	3083	3083	3083
5	3059	3062	3069	3065	3058
10	3010	3012	3020	3018	3015
15	2926	2930	2943	2949	2954
20	2807	2816	2842	2861	2869
25	2649	2668	2716	2744	2752
30	2447	2484	2559	2595	2606
35	2199	2264	2371	2423	2437
40	1906	2002	2154	2230	2251
45	1582	1715	1917	2024	2052
50	1257	1412	1668	1803	1836
55	968	1123	1419	1574	1613
60	750	890	1198	1370	1415
65	554	668	968	1151	1197
70	396	490	764	941	986
75	257	352	589	750	794
80	170	252	447	588	628
85	50	142	341	459	494

**COEFFICIENTS OF UTILIZATION (%)**

RC	80				70				50			0	
	RW	70	50	30	10	70	50	30	10	50	30	10	0
0	118	118	118	118	114	114	114	114	114	108	108	108	94
1	107	102	97	93	103	99	95	95	91	94	90	87	77
2	97	89	82	76	94	86	80	75	82	77	72	65	
3	89	78	70	63	86	76	68	62	72	65	61	55	
4	81	69	61	54	79	68	59	53	64	57	52	47	
5	75	62	53	47	72	61	52	46	58	51	45	41	
6	69	56	47	41	67	55	46	40	52	45	40	36	
7	64	51	42	36	62	50	42	36	48	40	35	32	
8	60	46	38	32	58	45	37	32	44	37	31	28	
9	56	43	35	29	54	42	34	29	40	33	28	26	
10	52	39	32	26	51	39	31	26	37	30	26	23	

RCR = Room Cavity Ratio RC = Effective Ceiling Cavity Reflectance RW = Wall Reflectance

**OPERATING ENVIRONMENT**

Proposed System	Min Temp	Max Temp
SNL-1X4-XL	-30°C/-22°F	50°C/122°F
SNL-1X4-LW	-30°C/-22°F	40°C/104°F
SNL-1X4-ML	-30°C/-22°F	35°C/95°F
SNL-1X4-HL	-30°C/-22°F	30°C/86°F
SNL-1X8-XL	-30°C/-22°F	50°C/122°F
SNL-1X8-LW	-30°C/-22°F	40°C/104°F
SNL-1X8-ML	-30°C/-22°F	35°C/95°F
SNL-1X8-HL	-30°C/-22°F	30°C/86°F

**Application Notes**

1. Application temperatures are provided to ensure the longevity and performance of the driver and LEDs.
2. Results are based off the In-Situ Temperature Measurement Test (ISTMT) along with the drivers' temperature and life curves.
3. Precision-Paragon [P2]'s 5 year warranty assumes continuous operation at the maximum ambient temperature range.

**PROJECTED LUMEN MAINTENANCE**

Operating Hours	0	10,000	20,000	25,000	35,000	50,000	60,000	75,000	100,000
Lumen Maintenance Factor	1.00	0.97	0.94	0.93	0.90	0.85	0.82	0.78	0.72

\*Lumen maintenance factor is based off LM-80 of LEDs, does not include driver life.

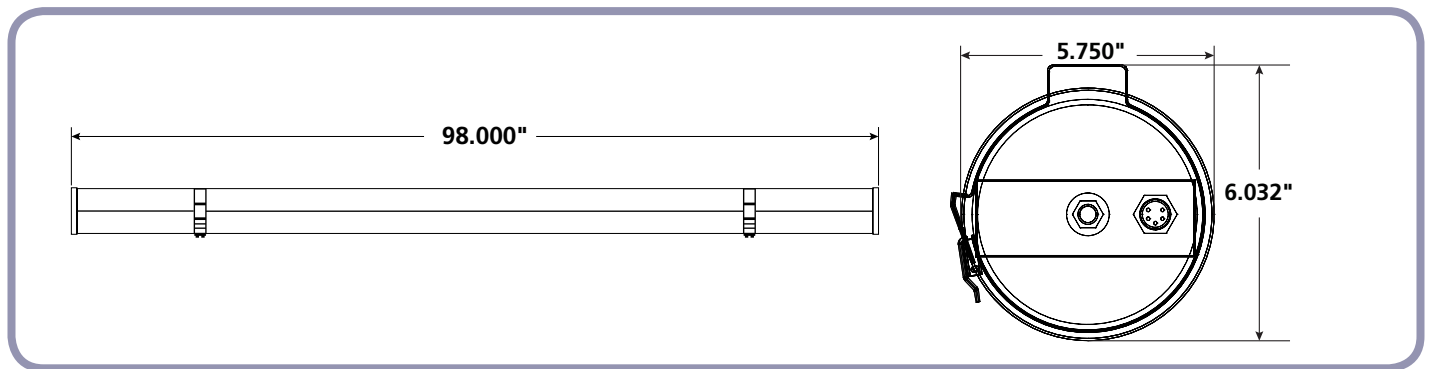
**LUMEN PACKAGE OPTIONS**

Proposed System	Lumen Output	CRI	CCT	4000K DETAILS*			5000K DETAILS**			
				Lumens Per Fixture	Input Watts	Lumens Per Watt	CCT	Lumens Per Fixture	Input Watts	Lumens Per Watt
SNL-1X4-XL	XL	>80	4000K	3,181	32	99	5000K	3,244	33	99
SNL-1X4-LW	LW	>80	4000K	5,270	52	100	5000K	5,376	54	100
SNL-1X4-ML	ML	>80	4000K	6,858	73	94	5000K	6,995	75	94
SNL-1X4-HL	HL	>80	4000K	8,861	93	95	5000K	9,038	95	95
SNL-1X8-XL	XL	>80	4000K	6,361	64	99	5000K	6,488	66	99
SNL-1X8-LW	LW	>80	4000K	10,541	105	100	5000K	10,752	107	100
SNL-1X8-ML	ML	>80	4000K	13,716	147	94	5000K	13,990	149	94
SNL-1X8-HL	HL	>80	4000K	17,721	187	95	5000K	18,076	190	95








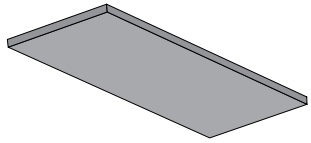
\*Lumen values shown are initial delivered lumens tested at 25°C per IES LM-79 standards.

\*\*Lumen values calculated with 1.02 multiplier based on LED manufacturer data.

**FIXTURE DIMENSIONS**



**MOUNTING OPTIONS**

<p><b>SUSPENDED BRACKET</b> Included</p> 	+	<p><b>STAINLESS STEEL 1/4" x 2-1/2" EYE BOLT</b> Order Separately (Part #95011500)</p> 	+	<p><b>STAINLESS STEEL 10' № 2 GRIPPLE LOOP</b> Order Separately (Part #95003312)</p> 
<p><b>SUSPENDED BRACKET</b> Included</p> 	+	<p><b>STAINLESS STEEL 15' № 2 SINGLE TOGGLE</b> Order Separately (Part #95011499)</p> 	+	
<p><b>SURFACE BRACKET</b> Included</p> 	+	<p><b>STAINLESS STEEL 1/4" x 2-1/2" CONCRETE SCREW</b> Order Separately (Part #95011498)</p> 	+	<p><b>CEILING</b></p> 

\*Contact the Service Hub for additional mounting options.