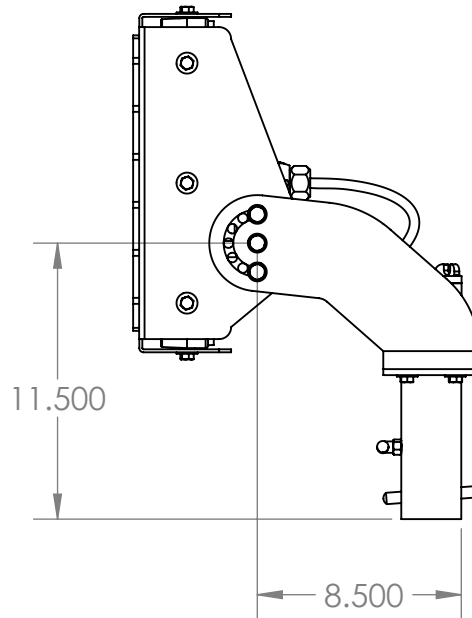
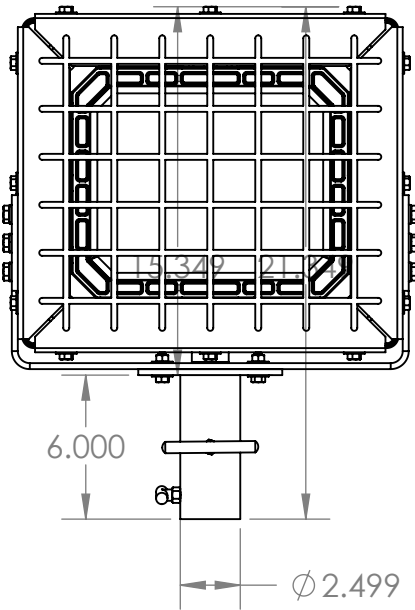
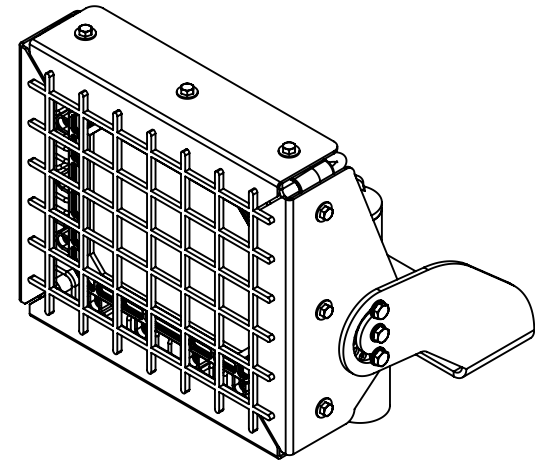
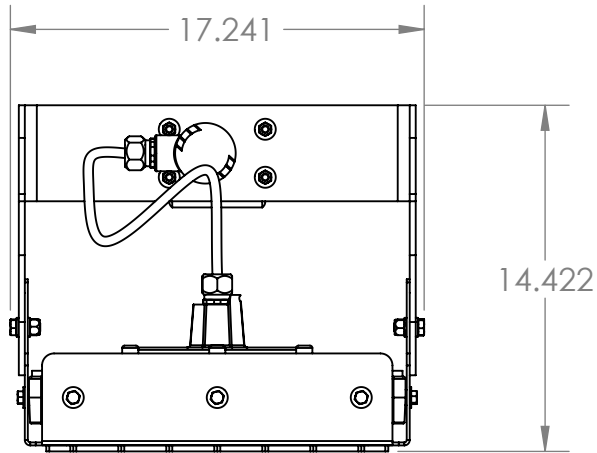


PROPRIETARY AND CONFIDENTIAL
 THE INFORMATION CONTAINED IN THIS DRAWING IS THE SOLE PROPERTY OF LARSON ELECTRONICS LLC. ANY REPRODUCTION IN PART OR AS A WHOLE WITHOUT THE WRITTEN PERMISSION OF LARSON ELECTRONICS LLC IS PROHIBITED.

DIMENSIONS ARE IN INCHES		DRAWN	NAME	SIZE	DWG. NO.	REV
MATERIAL		CHECKED	CHRIS THAUER	A		
DO NOT SCALE DRAWING			JEREMY BLANKENSHIP	SCALE: 1:6		SHEET 1 OF 3

TITLE:

EPL-PT-150LED-RT



TITLE:			
EPL-PT-150LED-RT			
NAME	SIZE	DWG. NO.	REV
CHRIS THAUER	A		
MATERIAL	CHECKED	JEREMY BLANKENSHIP	
DO NOT SCALE DRAWING		SCALE: 1:8	SHEET 2 OF 3

PROPRIETARY AND CONFIDENTIAL
 THE INFORMATION CONTAINED IN THIS DRAWING IS THE SOLE PROPERTY OF LARSON ELECTRONICS LLC. ANY REPRODUCTION IN PART OR AS A WHOLE WITHOUT THE WRITTEN PERMISSION OF LARSON ELECTRONICS LLC IS PROHIBITED.

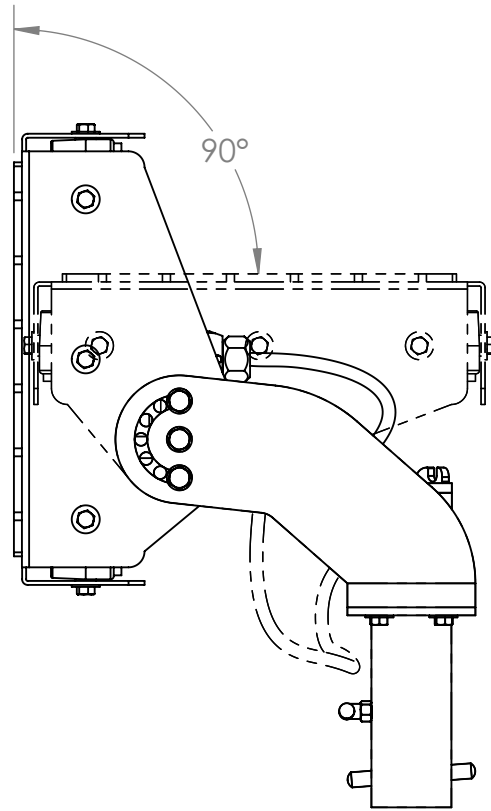
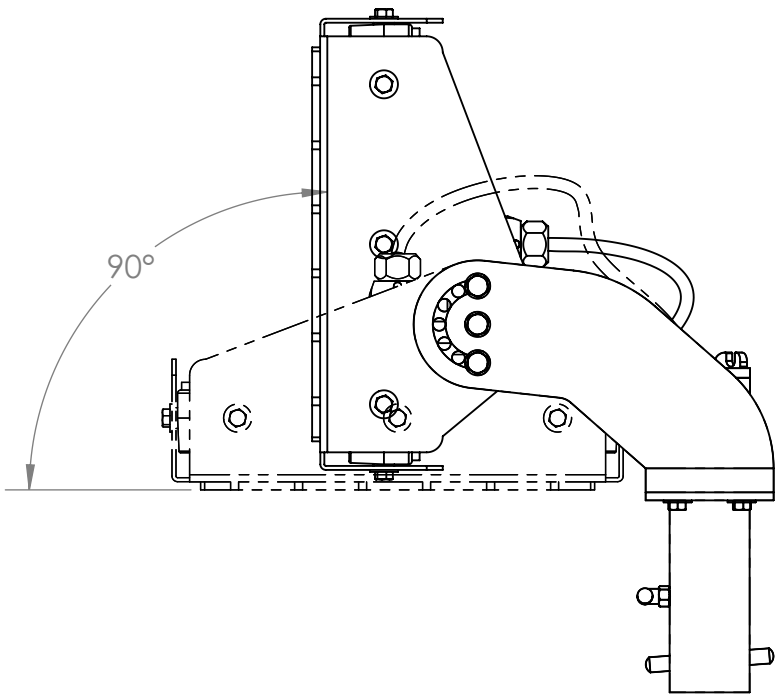
5

4

3

2

1



PROPRIETARY AND CONFIDENTIAL
 THE INFORMATION CONTAINED IN THIS DRAWING IS THE SOLE PROPERTY OF LARSON ELECTRONICS LLC. ANY REPRODUCTION IN PART OR AS A WHOLE WITHOUT THE WRITTEN PERMISSION OF LARSON ELECTRONICS LLC IS PROHIBITED.

TITLE:			
EPL-PT-150LED-RT			
NAME		SIZE	DWG. NO.
CHRIS THAUER		A	REV
MATERIAL			CHECKED
DO NOT SCALE DRAWING		SCALE: 1:6	SHEET 3 OF 3

5

4

3

2

1