



4U 60-Bay High-Density Storage Server Chassis

The RSC-4H is suitable for cold storage as well as shared storage, depending on how it's configured. The RSC-4H comes with 3 20-port 6Gb SAS backplanes with 28-PHY expander and 2 SFF-8087 connectors on each. Refer to the photos on the right for these 3 configurations.

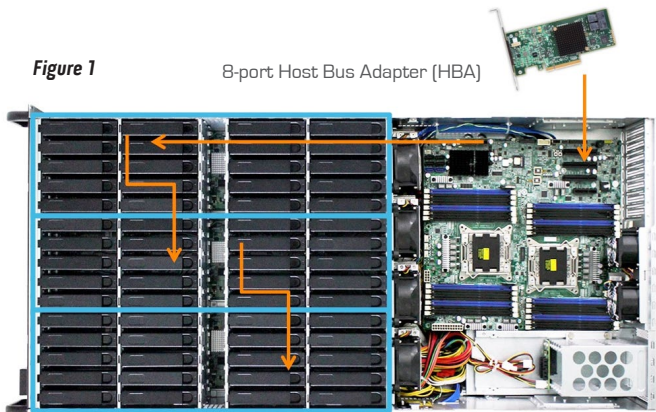
Figure 1 For cold storage, those backplanes with expanders can be cascaded then connected to an HBA which manages all drives as a large configuration.

Figure 2 For shared storage, each backplane can connect directly to an HBA to gain performance and bandwidth.

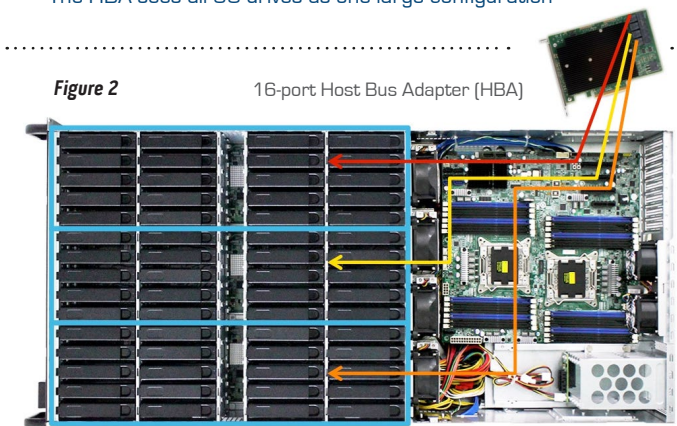
Figure 3 For better performance, both SFF-8087 ports of each backplane can connect to an individual HBA.



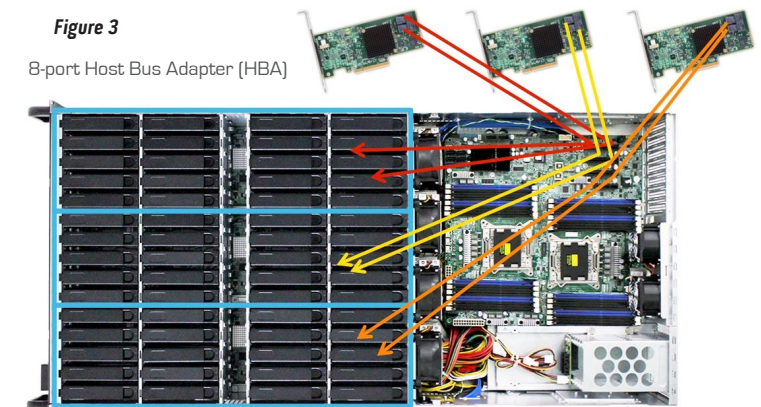
RSC-4H for cold storage or shared storage



Applications: Cold Storage & Virtual Tape Library
The HBA sees all 60 drives as one large configuration



Applications: Shared Storage, media storage and medical imaging



Applications: Shared Storage with better performance, media storage and medical imaging