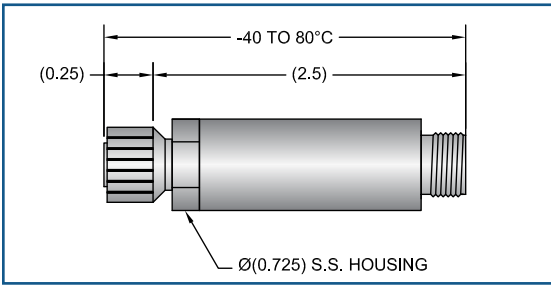


Transmitter and Programming Kit for Quick Connect Sensors

Ordering Information

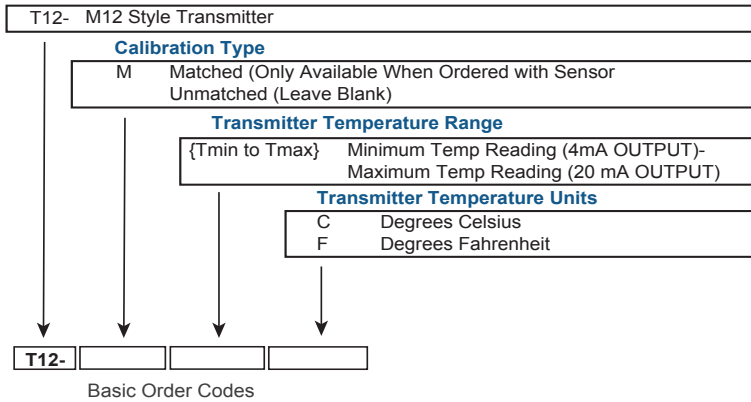
T12 Transmitter



All dimensions in inches

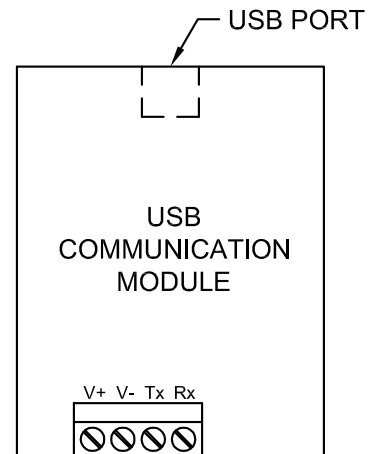
General Specification

Operating Temperature Range:	-40°C to 80°C
Input Range:	-200°C to 500°C
Accuracy:	±(0.05°C + 0.05% of span)
Open Circuit Detection:	Upscale >24mA, Downscale <2.5mA
Warm up Time:	30 Seconds to full accuracy
Environmental Rating:	NEMA 6P, IP67; M12 Connected
Communications Interface:	PC Programmable with TP12



Example Part # T12 {-50 to 85} F

TP12 Programming Module: (Order item # TP12 separately)



Programming Kit Contains:
 Programming Module
 USB Cable
 Software CD
 Storage Box

Requires M12 Cable Assembly for Connection to Transmitter.
 See Cordsets for four wire Assemblies.
 The TP12 will be required if adjustment in the field is necessary.