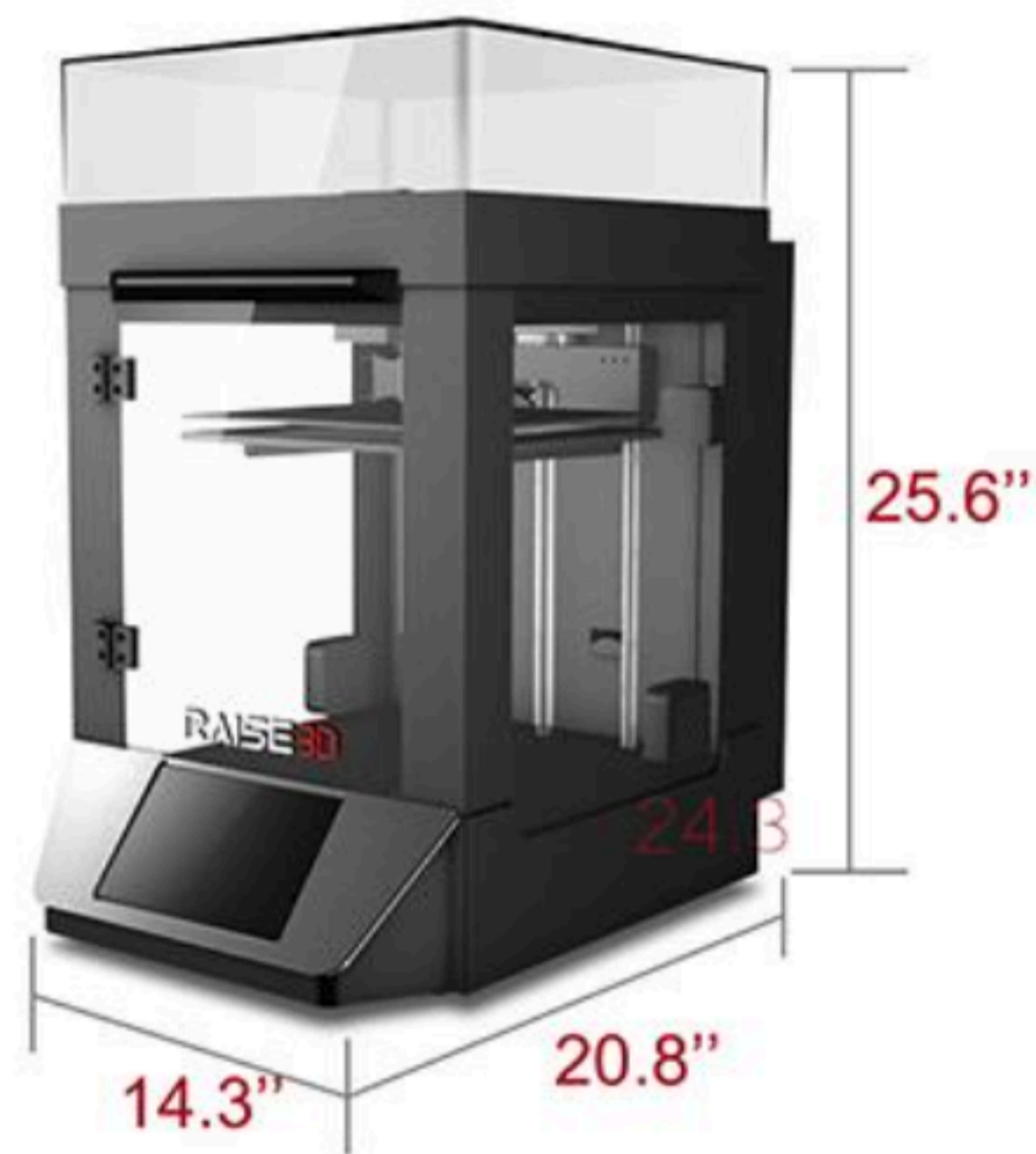
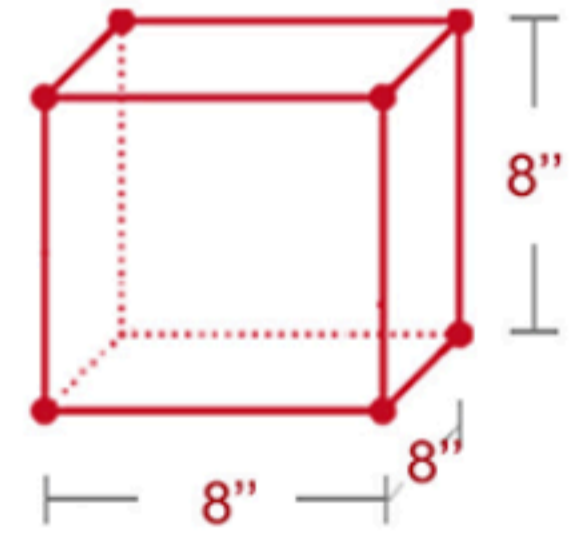


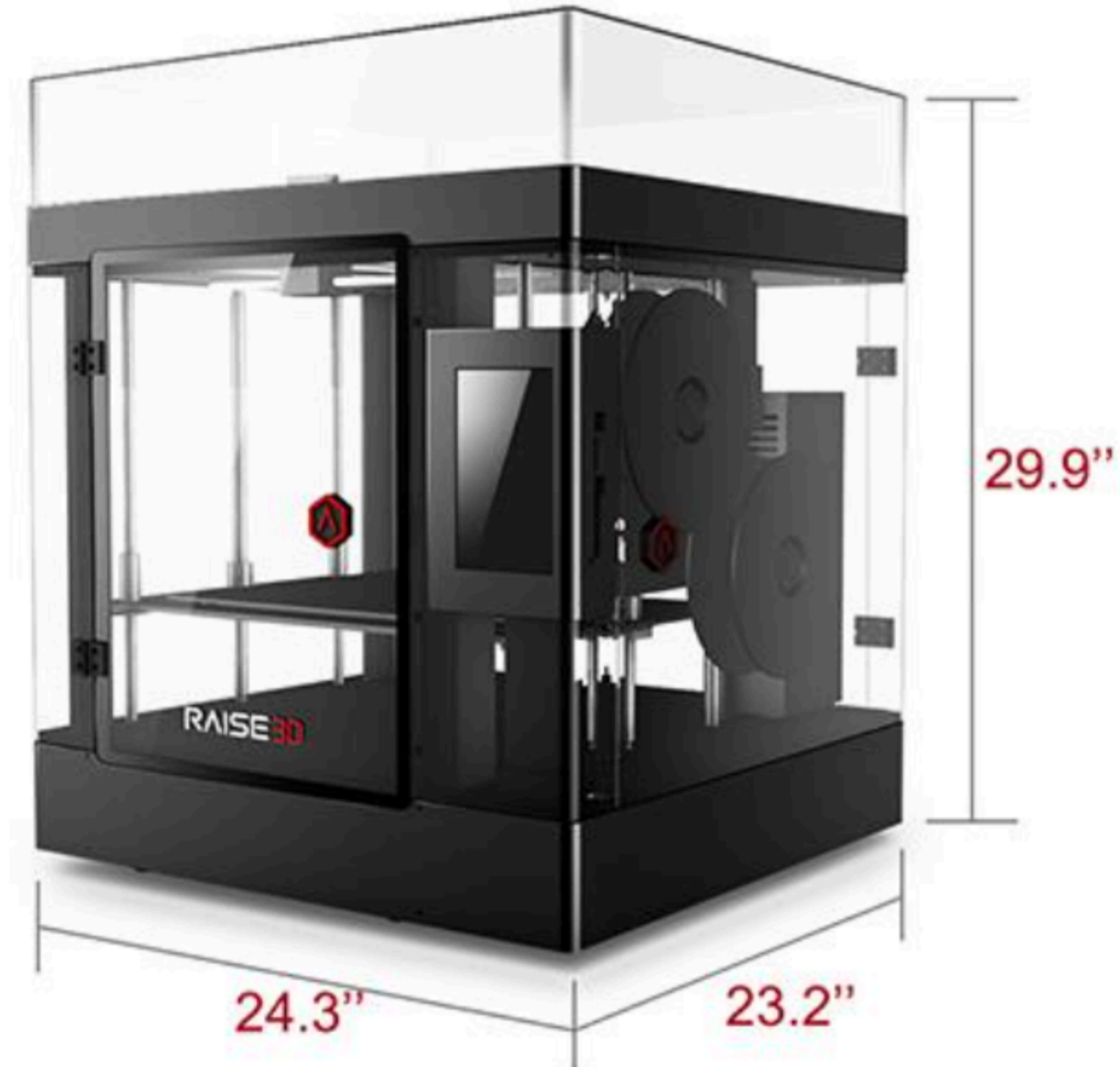
# 1.2 N-Series Printer



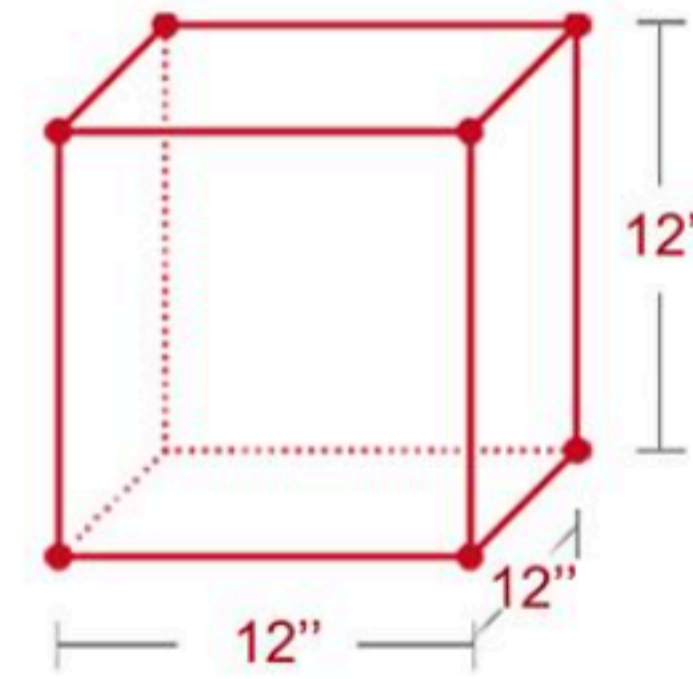
**Raise3D N1**



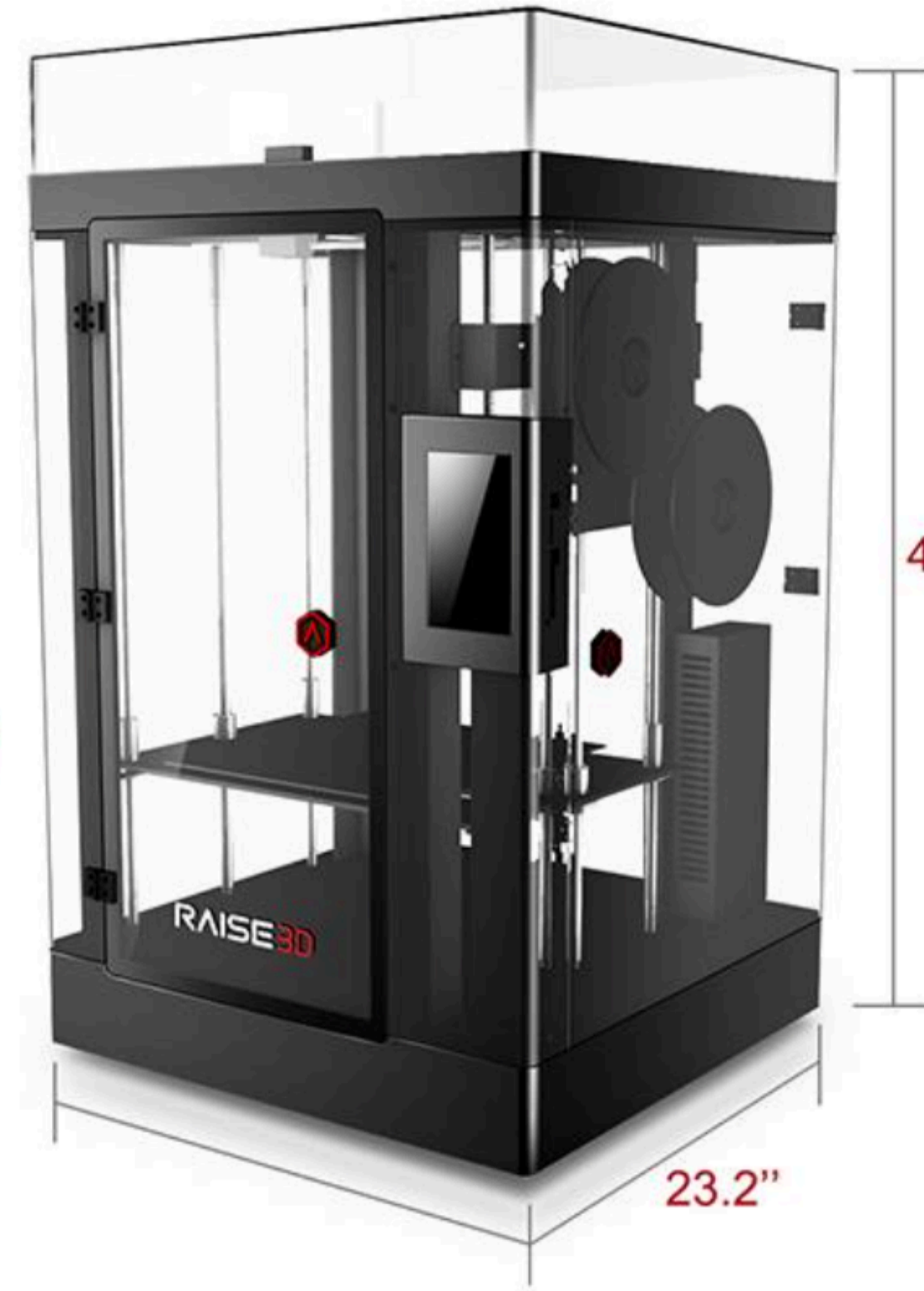
**512** Cubic Inch



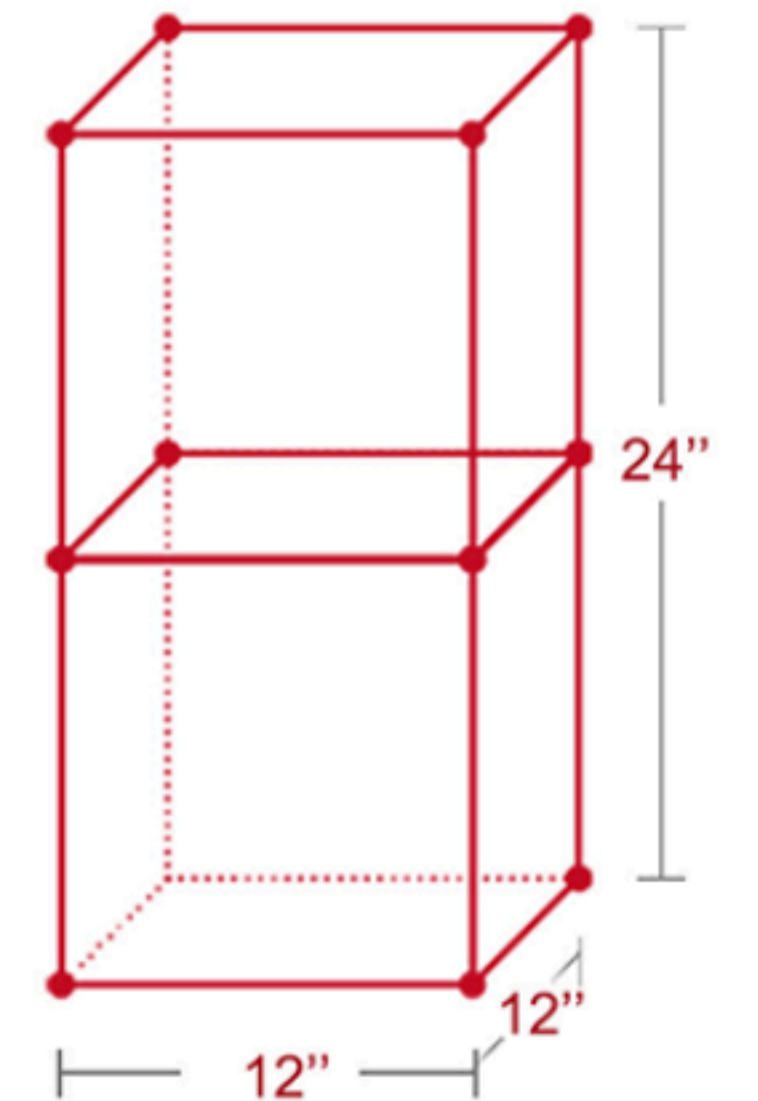
**Raise3D N2**



**1,728** Cubic Inch



**Raise3D N2 Plus**



**3,456** Cubic Inch