



S h a n P u

Multi-function test tweezer **ST-10B**

Multi-function tester **多功能測試器**

PAT. M 413965
PAT. ZL201120136573.9

Test Tweezer



S09

Multi-function test tweezer **ST-10B**

Feature

特色：

精巧測試鑷子針對微小的電子零件如開關、電阻、保險絲或PCB線路簡單快速測試導通，也能透過專用的連接線與三用電錶結合量測電阻值，此鑷子可輕鬆點亮各式LED非常適合工程師及業務人員做即時測試和展示用。

Feature

delicate Testing Tweezers for easy and quick testing mechanical contacted of micro-electronic components such as switch, fuse, PCB circuit. By connecting with multi-meter with special connector cable, Testing Tweezers can test resistor value. Another feature for lighting up all kinds of LED, very useful for engineers and sales persons for instant check and display.

NEW

蜂鳴器 Buzzer
增加聲響判斷新功能
New function conductive with buzzer



蜂鳴器 Buzzer
增加聲響判斷新功能
New function conductive with buzzer

測試保險絲
Fuse open & short check

測量SMD等小型電子零件
SMD or small component

PCB線路導通測試
PCB circuit conductive test

專用連接線可接三用電錶
Multimeter connection become SMD probe clip

測試LED點亮
LED lights test





Multi-function test tweezer **ST-10B**

General Specifications

Part Number : ST-10B

Weight : 50g

Material : ABS、Phosphor Bronze

Dimensions : 36*25*155mm

Battery : 23AE 12V

Accessories :

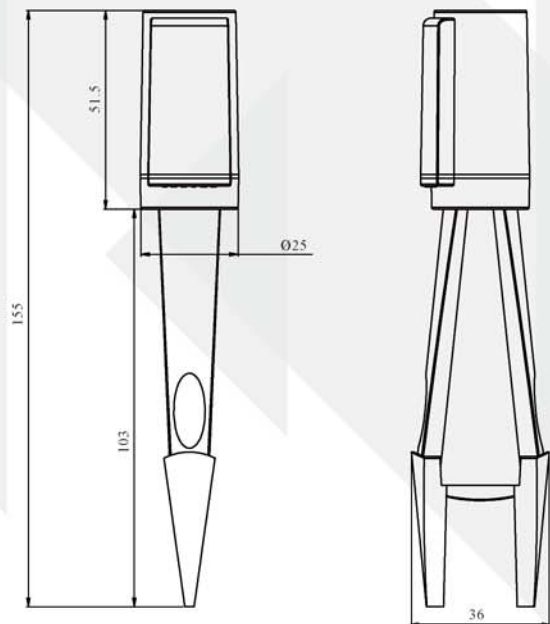
1. Screwdriver

2. Special connector

3. Battery

4. Bag

Dimension



Change Battery Figure

更換電池圖示

Change Battery figure :

1. 拔上蓋 Pull out top cover
2. 換電池 Replace battery
23AE 12V
3. 蓋回上蓋 Recover top cover

