



translucent walls



VALUE-ADDED SERVICES

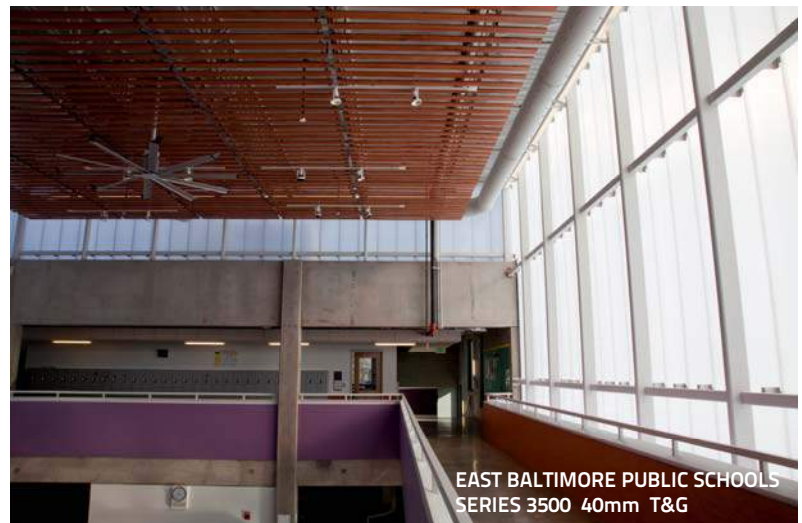
Focused Design Fits Today's Demands

What are your performance objectives? What are the key project variables? What is the design intent? What is the best way to deliver your performance expectations within budget? As a member of the design team, we can help answer these important questions. We consider project location, building orientation and technology synergies. We show you your options and, working together, we develop the most effective daylighting system for your specific project. **This is Focused Design by Duo-Gard.** We never want to force-feed you a standard product by sacrificing performance and compromising the ROI with unneeded product features. And yes, we do all this within your budget.

Daylight Modeling Removes the Risk

Want to see the daylighting result of your design? Let us do a daylight model. Remove the guess work. Our daylight modeling service is second to none. We are the only manufacturer in the industry to use BDTF (Bidirectional Transformation Function) files to create accurate material files. We understand how light is transformed and diffused as it passes through our panels. Our models are accurate and complete, removing the guess work. Using standards and analytical tools we use LEED, CHPS, ASHRAE 90.1, glare analysis and shading studies to examine cause and effect relationships between sun and structure. We examine the possibilities of integrating both artificial and natural light for a total energy savings package. Duo-Gard modeling has become the gold standard by which other manufacturers are measured.

- 3D model & whole building
- Position & size skylights & translucent walls
- Design functional light levels
- Eliminate glare & hot spots
- Energy efficiency impact
- Product option analysis
- Satisfy LEED points criteria with documentation
- Integration of artificial light to create smart environment



TRANSLUCENT WALLS

Duo-Gard's Arsenal Targets Your Goals

With 30 years of experience and a proven track record for top performing daylighting systems, we ensure your success. We engineer, build and install systems all over the country. We can help you comply with LEED, we can stamp drawings in 50 states, and **we are 100% made in the USA**. Our entire organization is modeled to provide you with the support you require. Our products are delivered on a standard platform, but the performance is customized for each application. **Want to spend your money wisely and make every dollar count?** We can help.

- Offer over 25 years of expertise & experience
- Proven Focused Design
- Create a workable budget
- Provide LEED compliant products
- In-house engineers available for your assistance
- Deliver & install nationwide
- System not only made in the USA but fully PRODUCED in the USA
- Custom design for specific loading requirements
- PE calculations & stamped drawings available in all 50 states

System Glazing Options

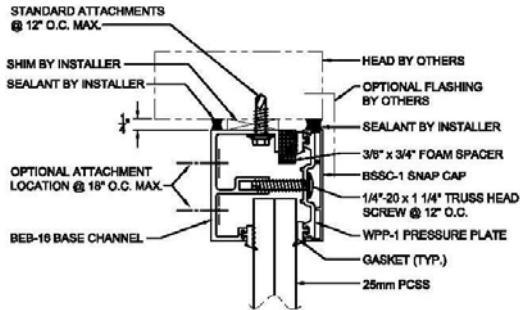
- Wall glazing available in mullion or tongue & groove systems
- Lightweight durable diffusion panels
- 10-15 year panel warranties with no additional maintenance required
- Gain diffused natural light as you reduce sun's glare & heat gain
- Glazing panels available in a variety of thicknesses & color
- Utilize optional Lumira aerogel for increased insulation
- LED lighting options for spectacular architectural appeal



Engineered by Duo-Gard—Designed by You

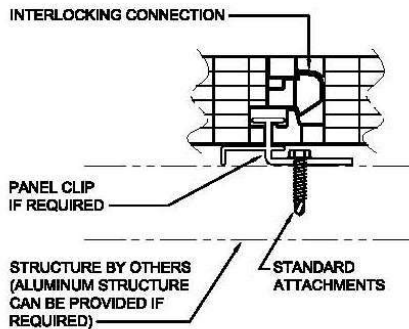
Series 3000

- Panels available in 4' & 6' widths & up to 50' long
- Panels available in a variety of thicknesses & cell configurations



Series 3500

- Panel lengths remain the same up to 50'
- Panel thickness: 20mm & 40mm



FORGE AHEAD

Tell us what you need, what you dream. Send a plan, a sketch or scribble on a cocktail napkin. We'll help you move forward by first listening to you. Then we'll make sensible recommendations to create a well-thought-out, budget-friendly plan that addresses all of your specific requirements. Call 734.207.9700 or email info@duo-gard.com.

