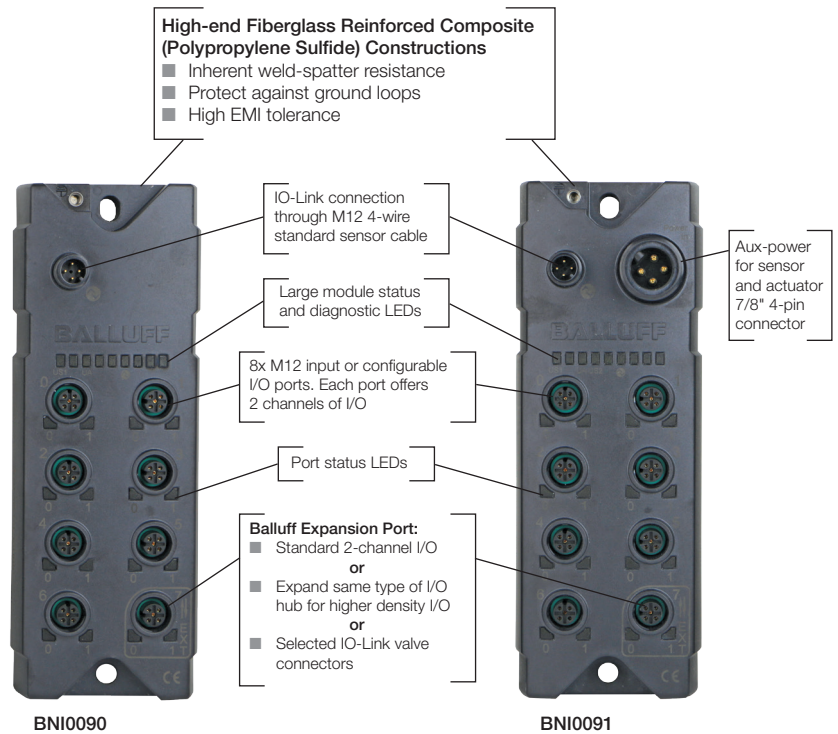
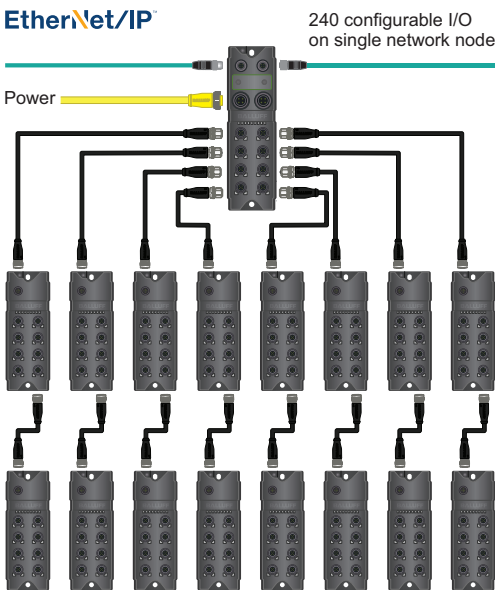


↻ Weldblock: IO-Link I/O Hubs
Toughest against weld-splatter and electrical noise



Balluff's new family of machine mount network blocks are ideally suited in extremely noisy electrical environments, such as welding. These blocks are made of premium quality fiberglass reinforced composite material, designed to withstand the toughest welding environments.

With an IP67 protection rating, each I/O hub can provide up to 16 channels of discrete I/O for the application. The I/O data is transferred over an IO-Link V1.1 connection to the IO-Link master to communicate to the high level controller or PLC.



All Weldblock family I/O hubs have the Balluff Expansion port available as standard. The expansion port can be used as a standard I/O (or input only in case of input hub), or expanded with same type of the I/O hub one time only to provide higher density I/O or connected to one of the following IO-Link valve connectors for actuating valves:

- BNI IOL-751-V08-K007: FESTO MPA, BOSCH Rexroth LS04 and HF 0X series up to 32 valves
- BNI IOL-751-V10-K007: SMC, Parker, Norgen
- BNI IOL-751-V13-K007: Numatics AKJ connector

- Two variants of the I/O hubs:
- 16 channel input only I/O hub
 - 16 channel configurable I/O hub

Add-on-instructions and function blocks are available for free download from the Balluff website to ease the integration of I/O hubs with various control systems.



Weldblock Part Number	Description
BNI0090	16 input only IO-Link I/O hub + diagnostics data as a part of process data
BNI0091	16 configurable PNP I/O with aux-power over 4-pin 7/8" connector + diagnostics data as a part of process data