

Welcome to

# Docking Drawer

ETL Listed in-drawer electrical outlets



**NEW  
+ IMPROVED**  
.....  
**more outlet sizes**

FULLY ASSEMBLED + TESTED

NEW FLUSH  
POWERING OUTLETS

NARROWER  
WIDTHS



It's time to clear clutter one drawer at a time with Docking Drawer in-drawer electrical outlets. Whether it's in your kitchen, bathroom, office or side table, you can reduce clutter by getting all your cords, chargers, personal technology and hair dryers out of the way with simple-to-specify Docking Drawer in-drawer electrical outlet solutions. Docking Drawers are purpose built, easy to install and ETL Listed to UL962a and CSA-C22.2, offering safe, trouble-free operation while meeting building codes.

**New and Improved!** We offer a broad range of charging and powering outlets designed to fit 24, 21 and 18" standard cabinet sizes. All outlets now come with an adjustable rear mounting bracket for easier installation!

**Simple to specify. Reduces clutter. Safe.**



# Solutions for Every Application

CHARGING	POWERING
	
Docking Drawer Slim & Docking Drawer Slim USB	Style Drawer & Style Drawer Flush
<ul style="list-style-type: none"> <li>• Phones</li> <li>• Tablets</li> <li>• Laptops</li> <li>• USB Flashlights</li> <li>• USB Speakers</li> <li>• Combination AC/USB Outlet or USB Ports</li> </ul>	<ul style="list-style-type: none"> <li>• Hair Dryers</li> <li>• Curling Irons</li> <li>• Flat Irons</li> <li>• Appliances</li> <li>• Items requiring full power</li> <li>• 2 GFCI AC Outlets</li> </ul>

## Reduce Clutter.

Take control and clear clutter. Docking Drawer in-drawer electrical outlet solutions are perfect for today's connected homes, bathrooms, kitchens, drop zones, bars, locker rooms, offices and more. Use Docking Drawers wherever you seek to clear clutter and charge or power your devices.

## Safe.

To increase safety and minimize risk, Docking Drawer in-drawer electrical outlets include integrated interlocking safety features. To ensure safe operation, Docking Drawer Slim outlets feature a UL Listed circuit breaker that prevents high-power devices from being used. Style Drawer and Style Drawer Flush feature a UL Listed thermostat that cuts power to the outlet in the event that the surrounding temperature exceeds 120°F. This minimizes risk with devices that are left on when the drawer is closed.

## Reliable.

Utilizing JTech Solutions engineering expertise, we build Docking Drawer in-drawer electrical outlets with high-quality materials. We then cycle test the assembly more than 500,000 times (representing opening and closing the drawer every 15 minutes for over 30 years) in order to ensure a lifetime of trouble-free operation.

## Outlet Features

- First and only ETL Listed in-drawer electrical outlet
- Interlocking safety features that cut power to the outlet to minimize risk
- Adjustable rear mounting bracket allows for fine tuning the arm alignment
- Simple to specify and easy to install

# Solutions for Every Cabinet Size

Docking Drawer outlets are available for a wide range of standard and custom cabinet sizes. Selecting the right outlet for your project is easy with Charging and Powering outlet solutions for 24, 21 and 18" deep cabinets.

## Simple to Specify

1

Confirm drawer extension

2

Confirm width behind drawer box

3

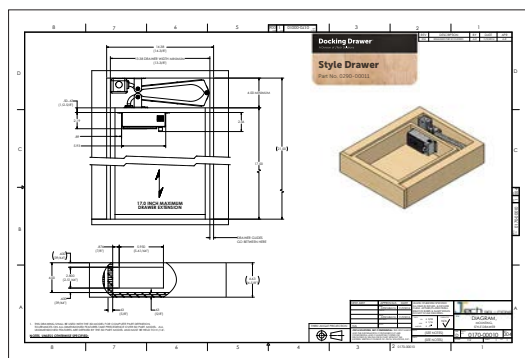
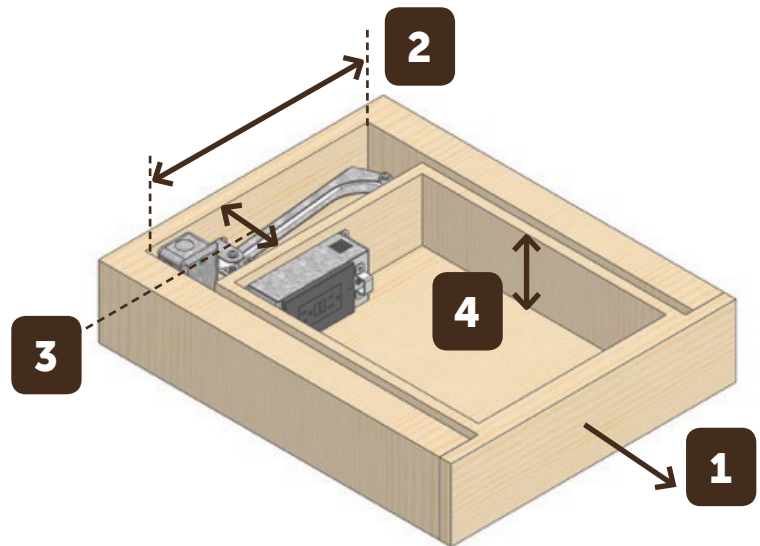
Confirm space behind drawer box

4

Confirm interior drawer box height

With just 4 key installation requirements, Docking Drawer solutions are simple to specify.

First, review the cabinet depth to confirm the maximum extension needed to ensure the drawer opens completely. Second, confirm the minimum width available behind the drawer box to ensure the outlet will fit. Third, confirm the minimum space behind the drawer box. Lastly, confirm the minimum interior drawer box height to accommodate the receptacle box. **Simple.**








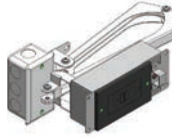


## Specification Library

To help make specifying Docking Drawer outlets simple, please visit the Specification Library. There you can download product data submittal documents, mounting diagrams, DWG and STEP files, installation manuals, brochures and more.

Please visit [www.dockingdrawer.com](http://www.dockingdrawer.com) and click the Specifications button on our home page.

# Docking Drawer™

Application:	CHARGING						POWERING					
Outlet Type	Docking Drawer Slim (2-AC, 2-USB) 			Docking Drawer Slim USB (4-USB) 			Style Drawer (2-AC/GFCI) 			Style Drawer Flush (2-AC/GFCI) 		
Cabinet Depth	≤ 24"	≤ 21"	≤ 18"	≤ 24"	≤ 21"	≤ 18"	≤ 24"	≤ 21"	≤ 18"	≤ 24"	≤ 21"	≤ 18"
Outlet Name	Docking Drawer 24 Slim	Docking Drawer 21 Slim	Docking Drawer 18 Slim	Docking Drawer 24 Slim USB	Docking Drawer 21 Slim USB	Docking Drawer 18 Slim USB	Style Drawer 24	Style Drawer 21	Style Drawer 18	Style Drawer 24 Flush	Style Drawer 21 Flush	Style Drawer 18 Flush
												
Part Number (White)	0290-00031 (W)	0290-00030 (W)	0290-00047 (W)	0290-00046 (W)	0290-00045 (W)	0290-00048 (W)	0290-00013 (W)	0290-00011 (W)	0290-00049 (W)	0290-00033 (W)	0290-00032 (W)	0290-00050 (W)
<b>Cabinet Specifications:</b>												
Maximum drawer extension	21"	18"	15"	21"	18"	15"	20"	17"	14"	20"	17"	14"
Minimum width behind drawer box	≥ 17 1/2"	≥ 16"	≥ 14 1/2"	≥ 17 1/2"	≥ 16"	≥ 14 1/2"	≥ 13 1/2"	≥ 12"	≥ 10 1/2"	≥ 13 1/2"	≥ 12"	≥ 10 1/2"
Minimum space behind drawer box	3"	3"	3"	3"	3"	3"	4"	4"	4"	5"	5"	5"
Minimum interior drawer box height	2 3/4"	2 3/4"	2 3/4"	2 3/4"	2 3/4"	2 3/4"	4"	4"	4"	4"	4"	4"
<b>Charging Receptacle Specifications:</b>												
Tamper Resistant	Yes			NA			NA			NA		
120V AC Outlets	2			0			NA			NA		
USB Ports	2			4			NA			NA		
Max Current	AC: 3 amps @ 120 VAC USB: 3.6 amps @ 5 VDC			USB 4.2 amps @ 5 VDC			NA			NA		
<b>Powering Receptacle Specifications:</b>												
Tamper Resistant	NA			NA			Yes			Yes		
120V AC Outlets	NA			NA			2			2		
GFCI	NA			NA			Yes			Yes		
LED Indicator	NA			NA			Yes			Yes		
Max Current	NA			NA			20 amps			20 amps		
<b>Features:</b>												
ETL Listed to UL962a	Yes			Yes			Yes			Yes		
ETL Listed to CSA-22.2	No			Yes			No			No		
Interlocking Safety Feature	Circuit Breaker			Circuit Breaker			Manual Reset Thermostat			Manual Reset Thermostat		
Electrical Connection	NEMA 5-15P			NEMA 5-15P			Hardwired			Hardwired		
Warranty	1 Year			1 Year			1 Year			1 Year		

Specifications subject to change. Please visit [www.dockingdrawer.com](http://www.dockingdrawer.com) for the most current information.

[www.dockingdrawer.com](http://www.dockingdrawer.com)

12893 Alcosta Blvd., Suite M  
San Ramon, CA 94583

p 530.205.3625

f 925.886.3824

e [sales@dockingdrawer.com](mailto:sales@dockingdrawer.com)

