

ANTI-TIP SAFETY STRAPS FOR TV OR FURNITURE

PLEASE READ INSTRUCTIONS COMPLETELY BEFORE INSTALLATION

Caution: Installation of anti-tip straps does not replace the need for adult supervision. Never leave children unattended or allow them to climb on TV or furniture. This pair of anti-tip straps may be used to secure a flat screen TV to a wall or stand or to secure furniture to a wall.

Tips:

- Use 2 straps (1 pair) for each TV or furniture installation
- Only use on furniture that has a solid wood surface to secure screws
- Always mount to the center of a solid wall stud
- Always drill pilot holes in furniture and wall studs before anchoring screws

Tools:

- Drill
- Measuring tape
- Pencil
- Stud finder
- Phillips Screwdriver

PLATE #1

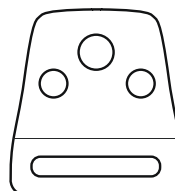
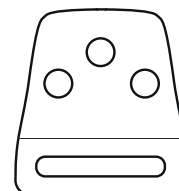


PLATE #2



FURNITURE INSTALLATION TO WALL

Caution: Only use on furniture that has a solid surface. Do not secure to furniture that is particle board or thin plywood.

STEP 1:

Mark the height of the furniture on the wall. Locate the center of a wall stud using a stud finder. Hold plate #2 (short strap) approximately 6-8" below the height level of the furniture and mark center hole with a pencil. Drill small pilot hole at marked location, then secure plate to wall using 2" wood screw provided.

STEP 2:

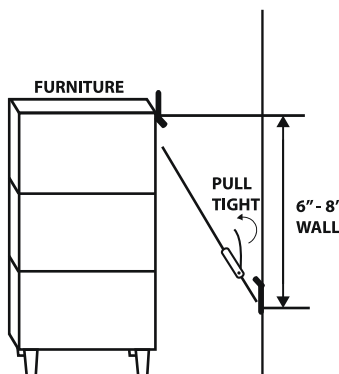
Hold plate #1 (longer strap) at the back of the furniture (near the top) and mark the 2 outside holes with a pencil. Drill small pilot holes at marked locations, then secure plate to furniture using two included 1" screws.

STEP 3:

Strap must loop from the underside through to the top of the cam buckle to hold firmly in place. Thread strap then pull firmly until taut (Note: if strap loosens, then it was incorrectly threaded from top of cam buckle instead of underside).

STEP 4:

Repeat steps for both straps, one on each side.



TV INSTALLATION

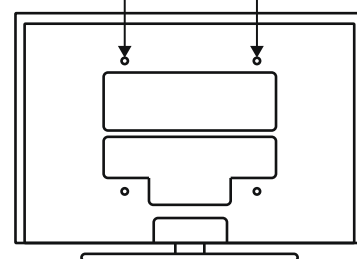
STEP 1:

Locate the two upper VESA mounting holes on the back of TV and select the correct included bolt size to fit (Note: washers are included only for the smallest bolt size).

STEP 2:

Using correct bolt size, mount plate #1 (longer strap) to the upper VESA mounting hole using correct bolt size through large center hole and tighten with Phillips screwdriver. Repeat for both sides of TV, one strap for each VESA hole.

UPPER VESA MOUNTING HOLES

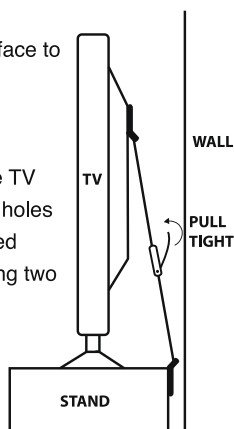


STEP 3:

A. MOUNTING TO TV STAND:

(If TV stand does not have a solid wood surface to mount to, skip this step and go to Step B - Mounting to Wall)

Hold plate #2 (short strap) to the back of the TV stand (near the top) and mark the 2 outside holes with a pencil. Drill small pilot holes at marked locations, then secure plate to TV stand using two included 1" screws.



B. MOUNTING TO WALL:

Locate the center of a wall stud using a stud finder. Mark center hole of plate #2 (short strap) approximately 6-8" below the level of the upper VESA mount where plate is installed on TV. Drill small pilot hole at marked location, then secure plate to wall using 2" wood screw provided.

STEP 4:

Strap must loop from the underside through to the top of the cam buckle to hold firmly in place. Thread strap then pull firmly until taut.

STEP 5:

Repeat steps for both straps, one on each side.

