

Accu-CT[®] SPLIT-CORE CTs

Wide Range, Unprecedented Linearity



U.S. Patent 8,587,399
U.S. Patent 8,847,576

ACTL-0750 / ACT-1250

The Accu-CT[®] family of standard and revenue-grade, split-core current transformers offer outstanding linearity, very low phase angle error, easy one-handed opening and closing, with a safe 333 mVac low voltage output.

The standard Accu-CT meets IEEE C57.13 class 1.2, and when ordered with Option C0.6 it meets IEEE C57.13 class 0.6 accuracy standards. Each option C0.6 CT ships with a certificate of calibration.

Designed specifically for the WattNode[®] energy and power meters, the Accu-CT is available in two window opening sizes. The ACTL-0750 has a window opening of 0.75" x 0.75" for current measurements up to 250 amps while the ACT-1250, with its unique oval shaped window opening of 1.83" x 1.25" is designed for loads up to 600 amps. Both models are available in standard and revenue-grade accuracies with exceptional low-end accuracy from 1% to 120% of primary rated current - 10x better than traditional CTs.

Specifications

	ACTL-0750	ACTL-0750 Opt C0.6	ACT-1250	ACT-1250 Opt C0.6
Accuracy	0.75%	0.50%	0.75%	0.50%
Rated Amps	5, 20, 50, 100, 200, 250	20, 50, 100, 200, 250	250, 400, 600	250, 400, 600
Optional Rated Amps	15, 30, 70, 150	15, 30, 70, 150		
Accuracy Class	IEEE/ANSI C57.13, Class 1.2	IEEE/ANSI C57.13, Class 0.6	IEEE/ANSI C57.13, Class 1.2	IEEE/ANSI C57.13, Class 0.6
CE Accuracy	IEC 60044-1 Class 1.0	IEC 60044-1 Class 0.5 S	IEC 60044-1 Class 1.0	IEC 60044-1 Class 0.5 S
CE Safety	CE	CE	CE	CE
RoHS Compliance	√	√	√	√
UL USA	UL Listed, XOBA, UL 2808	UL Listed, XOBA, UL 2808	UL Listed, XOBA, UL 2808	UL Listed, XOBA, UL 2808
UL Canada	UL Listed - XOBA7	UL Listed - XOBA7	UL Listed - XOBA7	UL Listed - XOBA7
Standard Lead Length	8 ft (2.4m) 18 AWG	8 ft (2.4m) 18 AWG	8 ft (2.4m) 18 AWG	8 ft (2.4m) 18 AWG
Phase Angle	±0.50 degrees	±0.25 degrees, ±0.50 degrees below 0°C	±0.50 degrees	±0.25 degrees
Output Options	333 mVac, 1 V, 100 mA	333 mVac, 1 V, 100 mA	333 mVac, 1 V, 100 mA	333 mVac, 1 V, 100 mA
Operating Temperature	-40°C to 80°C	-40°C to 80°C	-30°C to 75°C	-30°C to 75°C
Line Frequency	50/60 Hz	50/60 Hz	50/60 Hz	50/60 Hz
Option 50 Hz Available	√	√	Not required	Not required
List Price	\$47.00	\$57.00	\$56.00	\$67.00

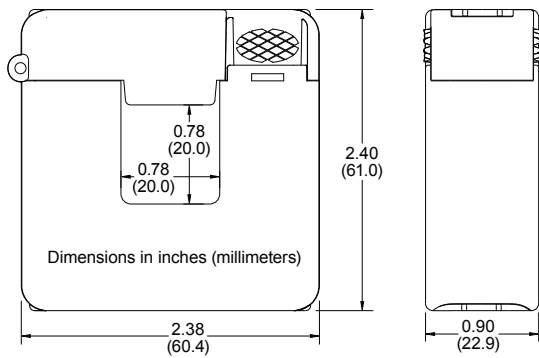


3131 Indian Road • Boulder, CO 80301 USA
sales@ccontrolsys.com • www.ccontrolsys.com
(888) 928-8663 • Fax (303) 444-2903

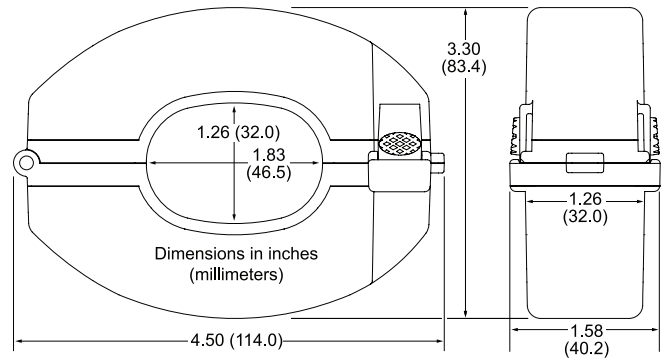
ACTL-ACT-5.9.16: Specifications are subject to change

Dimensions

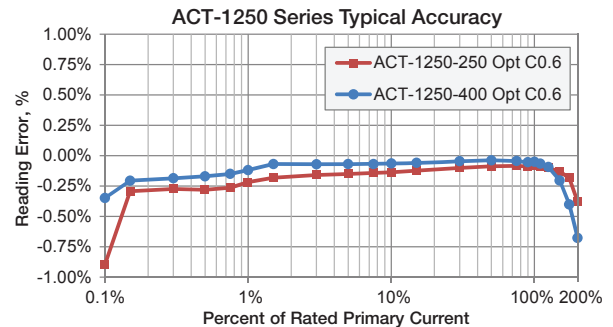
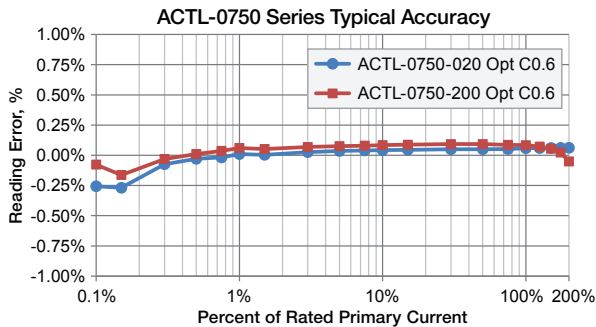
ACTL-0750



ACT-1250



Performance



Graphs show typical performance at 23°C, 60 Hz. Graph shows a positive phase angle when the output leads the primary current.

Model Numbers and Prices

For options and non-stock models, consult factory for pricing.

Standard ACTL-0750 Models	MSRP	Revenue ACTL-0750 Models	MSRP
ACTL-0750-005	\$47.00	Not Available	NA
ACTL-0750-020	\$47.00	ACTL-0750-020 Opt C0.6	\$57.00
ACTL-0750-050	\$47.00	ACTL-0750-050 Opt C0.6	\$57.00
ACTL-0750-100	\$47.00	ACTL-0750-100 Opt C0.6	\$57.00
ACTL-0750-200	\$47.00	ACTL-0750-200 Opt C0.6	\$57.00
ACTL-0750-250	\$47.00	ACTL-0750-250 Opt C0.6	\$57.00
Standard ACT-1250 Models	MSRP	Revenue ACT-1250 Models	MSRP
ACT-1250-250	\$56.00	ACT-1250-250 Opt C0.6	\$67.00
ACT-1250-400	\$56.00	ACT-1250-400 Opt C0.6	\$67.00
ACT-1250-600	\$56.00	ACT-1250-600 Opt C0.6	\$67.00