

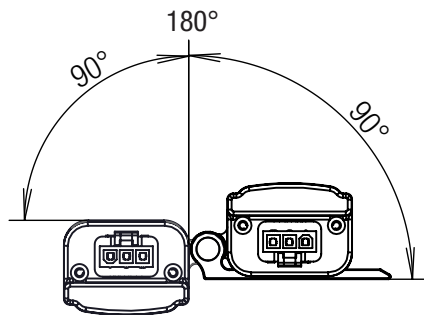
Mini CoveLine™ - Lowest Profile Cove Luminaire



At .875" tall, **Mini CoveLine** is as low as you can go with a housed cove luminaire and this performance. Plug N' Play connectors and 180° adjustable bracket make installation a breeze. Integral 120–277V supply uses 4.9W/ft.

- **Only 7/8" Tall Low-Profile Luminaire**
- **180° Standard Adjustable Bracket**
- **1' and 4' lengths for scalability**
- **Easy Plug-N'-Play Connectors**
- **120–277V Integrated Power Supply**
- **27k, 3k, 35k, 4k Color Temperatures**
- **487 Lm/ft (4k), 98 Lm/W**
- **80 ft run (120V) and 120 ft (277V)**

• **180° Adjustable Bracket**



IP42
Indoor Application



5-Year Warranty

Design • Performance • Sustainability

Mini CoveLine™



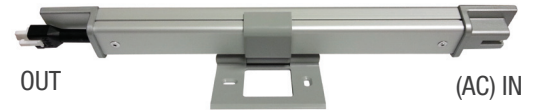
Mini CoveLine is a very low profile luminaire, only 7/8 inch tall, that's perfect for smaller spaces needing ample light. **Mini CoveLine** is available in 1 ft or 4 ft lengths with 27K, 3K, 35K or 4K color temperatures. The housing is constructed of extruded aluminum with tooled end caps and is IP42 rated for interior use. Installs with easy Plug N' Play connectors. Standard 180° adjustable bracket with 15° step positions and locking hex screw. Integral 120–277V driver uses 4.9 W/ft. Flicker free dimmable to 0% full brightness with ELV trailing edge dimming.

SPECIFICATION

color temperature	2700K	3000K	3500K	4000K
beam spread	120° (standard)			
lumen output	398 per foot	442 per foot	453 per foot	487 per foot
LEDs per foot	14			
color consistency	3-step MacAdam Ellipse / CRI 87			
lifetime	> 70,000 hours / L70			
input voltage	Universal 120–277V AC			
power consumption	5W /ft max @ (120V), 6.5 /ft max @ (277V)			
dimensions [L x W x H]	12" x 1.28" x .875" , 48" x 1.28" x .875"			
weight	.75 lbs. per foot			
housing	extruded aluminum housing with tooled end caps			
lens	etched polycarbonate			
mounting	surface mounting with (180° adjustable bracket), locking, step adjustment position			
operating temperature	-10°C to 40°C			
junction temperature	75°C @ T ^a 25°C			
interface	dimmable to 0% , (ELV) electronic low-voltage trailing edge, synchronized w/soft shut-off			
power supply	integral Class II, electronic high-power factor 94%			
certification	ETL / cETL or CE / Conforms to UL Std 1598 / Certified to CSA Std C22.2 No. 250.0			
standards	UL-Class I / IES LM-79 / LM-80			
environment	dry, interior location / IP 42			
warranty	5 year limited warranty (refer to website for details)			

Due to continuous development and improvements, specifications are subject to change without notice.

Mini CoveLine Connectors



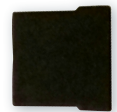
EXTENSION CONNECTORS



- 6", 12", 24" & 60" cord lengths
- Manage corners or jump distances



TERMINATOR CAP (TCAP)



CATALOG NUMBER

EXAMPLE: MC-1-35K-120

MC							
model	length	temperature		optics			
MC MINICOVE	1	304 mm [12 in.]	27K	2700K	120	120° x 120° beam (standard)	
	4	1219 mm [46.8 in.]	3K	3000K			
			35K	3500K			
			4K	4000K			

Accessories (Indicate the quantity needed for each item.)

REQUIRED: Starter Cable (SC6) and Terminator Cap (TCAP) for every run.

Maximum Run Length:
80 feet (120v) and 120 feet (277v)

_____ **SC6** 6 ft. Starter Cord
_____ **TCAP** Terminator Cap

_____ **EC06** 6 in. Extension Cord
_____ **EC12** 12 in. Extension Cord

_____ **EC24** 24 in. Extension Cord
_____ **EC60** 60 in. Extension Cord