

# 4100DBDL

## 4 - 7/8" ANSI CUTOUT SPLIT LATCH ELECTRIC STRIKE

For use with mortise locks with or without deadbolt. Provides a physical means to allow user privacy with a deadbolt while still allowing administrative override.

- 2 separate latches open and close independently.
- 4 faceplates included
- 12 & 24DC, 12-24 AC
- 2 Trim Skirts Provided (32D Finish)
- Regular and Torx® Screws
- Strong: Exceeds 3,250 lbs. of Holding Force
- Durable: Exceeds 1,000,000 Life Cycles
- 12 & 24 AC & DC
- Low Current Draw

#### Standards:

- WH recognized 3-hour fire rated – UL10C, Fire Tests of Door Assemblies.
- BHMA Grade 1: ANSI/BHMA A156.5
- UBC 7-2, Uniform building Code.
- CAN4 S104, Standard Method for Fire Tests of Door Assemblies.
- NFPA 252 - Issue: 1999/01/01 Standard Methods of Fire Tests of Door Assemblies.

NOTE: WH fire listing is void when using fail safe action.

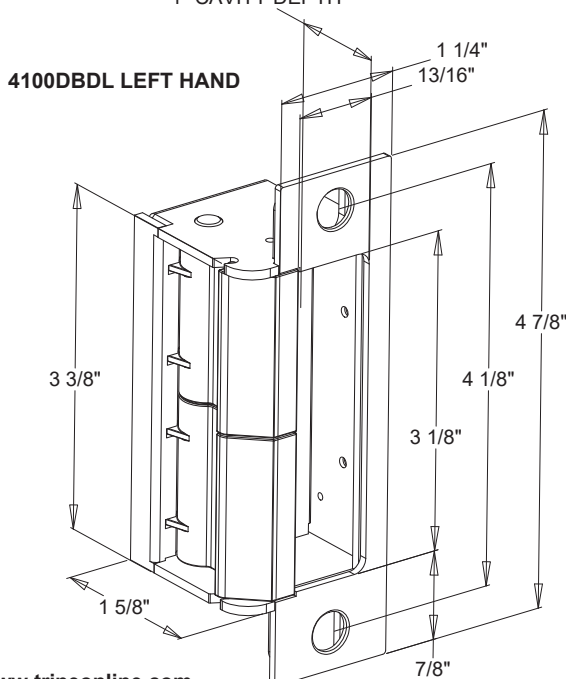


#### 4100DBDL ELECTRICAL CHARACTERISTICS:

Voltage	Current Draw	Power Consumption	Resistance
12DC	.240 Amps	2.90 Watts	50 Ohms
24DC	.114 Amps	2.74 Watts	210 Ohms
12AC @ 50-60Hz	.210 Amps	2.50 Watts	50 Ohms
16AC @ 50-60Hz	.281 Amps	4.48 Watts	50 Ohms
24AC @ 50-60Hz	.420 Amps	10.08 Watts	50 Ohms

Note: Electronics are per latch/mechanism. The DBDL has two mechanisms and Amp requirements are then doubled if activated at the same time.

1" CAVITY DEPTH



#### 4100DBDL HOW TO ORDER/SPECIFY PART #'S

<b>BOTH LATCHES FAIL SECURE</b>	<b>4100DBDL-RH-32D 4100DBDL-LH-32D</b>
<b>BOTH LATCHES FAIL SAFE</b>	<b>4100DBDL-RS-RH-32D 4100DBDL-RS-LH-32D</b>
<b>TOP LATCH IS FAIL SAFE</b>	<b>4100DBDL-RST-RH-32D 4100DBDL-RST-LH-32D</b>
<b>BOTTOM LATCH IS FAIL SAFE</b>	<b>4100DBDL-RSB-RH-32D 4100DBDL-RSB-LH-32D</b>