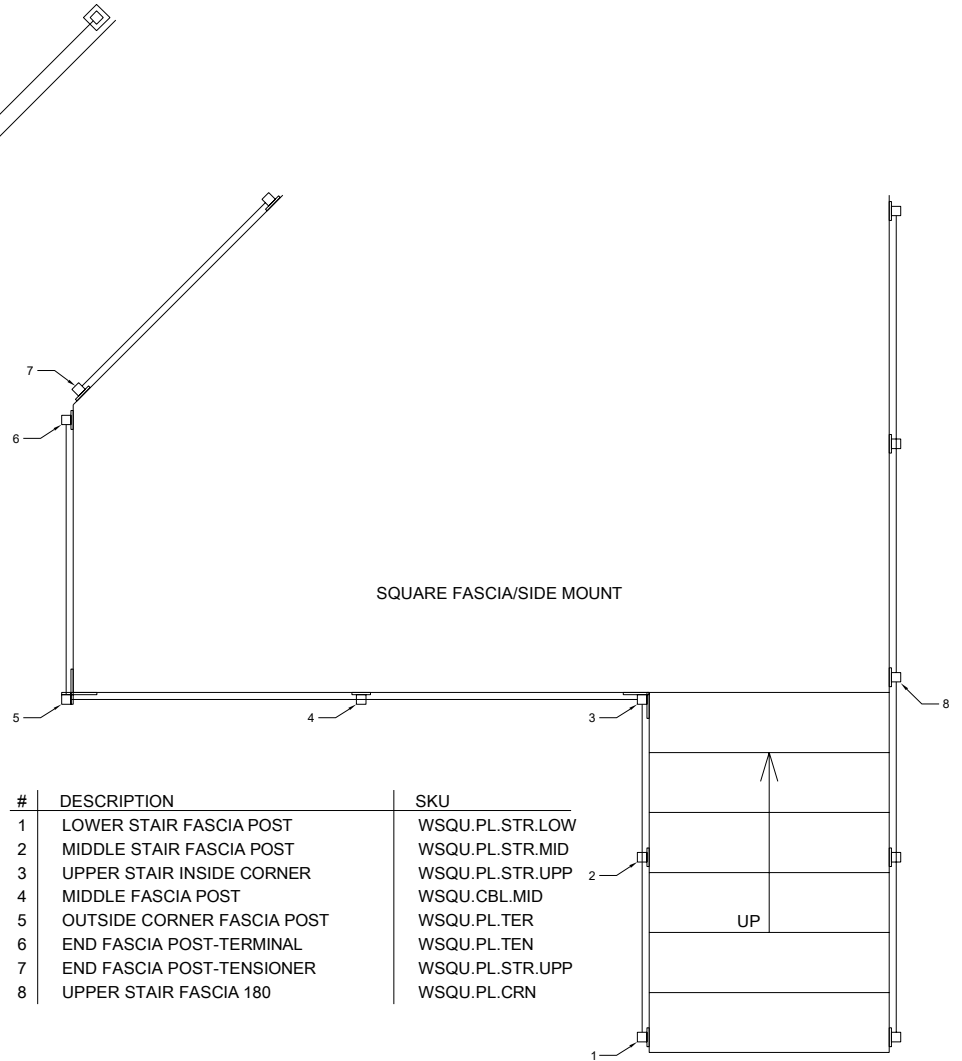


SQUARE FLOOR MOUNT

| # | DESCRIPTION | SKU |
|---|--------------------|----------------|
| 1 | LOWER STAIR POST | SQU.PL.STR.LOW |
| 2 | MIDDLE STAIR POST | SQU.PL.STR.MID |
| 3 | UPPER STAIR 90-L | SQU.PL.STR.UPP |
| 4 | MIDDLE POST | SQU.CBL.MID |
| 5 | END POST-TERMINAL | SQU.PL.TER |
| 6 | END POST-TENSIONER | SQU.PL.TEN |
| 7 | UPPER STAIR 180 | SQU.PL.STR.UPP |
| 8 | CORNER POST | SQU.PL.CRN |



SQUARE FASCIA/SIDE MOUNT

| # | DESCRIPTION | SKU |
|---|----------------------------|-----------------|
| 1 | LOWER STAIR FASCIA POST | WSQU.PL.STR.LOW |
| 2 | MIDDLE STAIR FASCIA POST | WSQU.PL.STR.MID |
| 3 | UPPER STAIR INSIDE CORNER | WSQU.PL.STR.UPP |
| 4 | MIDDLE FASCIA POST | WSQU.CBL.MID |
| 5 | OUTSIDE CORNER FASCIA POST | WSQU.PL.TER |
| 6 | END FASCIA POST-TERMINAL | WSQU.PL.TEN |
| 7 | END FASCIA POST-TENSIONER | WSQU.PL.STR.UPP |
| 8 | UPPER STAIR FASCIA 180 | WSQU.PL.CRN |

INLINE DESIGN

1420 TERRY AVE #2304
SEATTLE, WA 98108
WWW.INLINEDSIGN.US

PHONE: (425) 405 5505
FAX: (866) 864 0608
SALES@INLINEDSIGN.US

**SQUARE PRESS AND LATCH
CABLE RAILING SYSTEM**

DWG 1:

POSTS TYPE

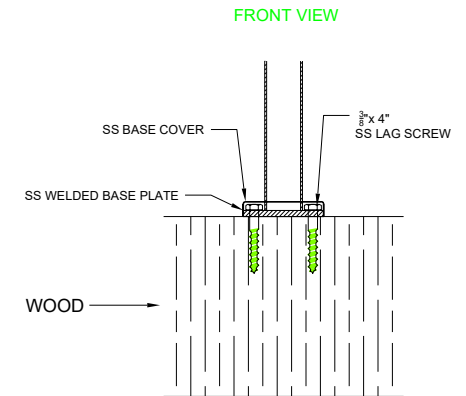
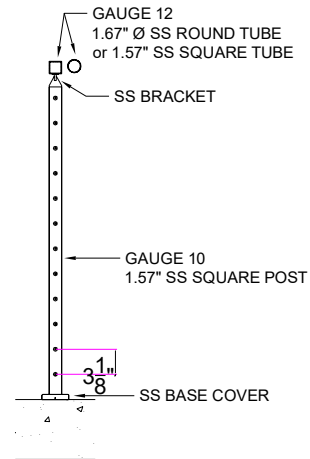
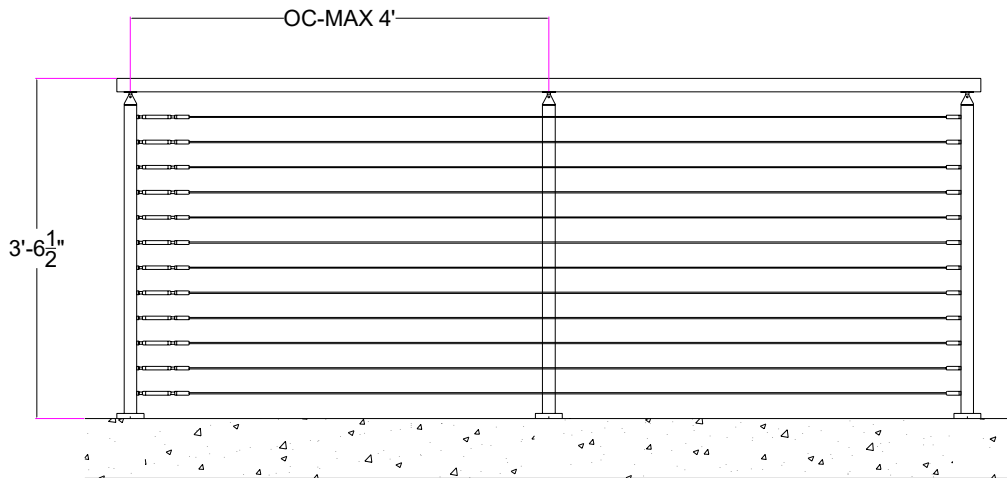
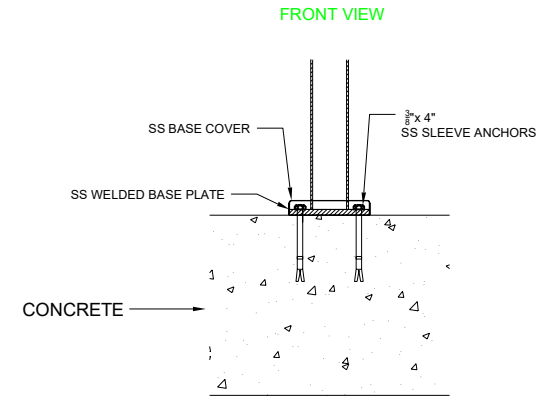
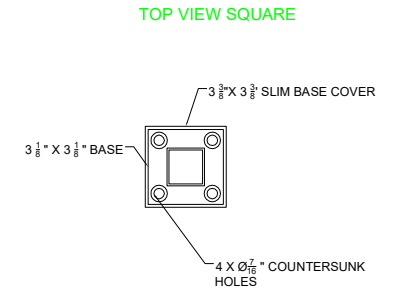
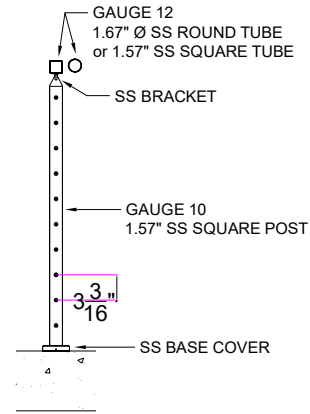
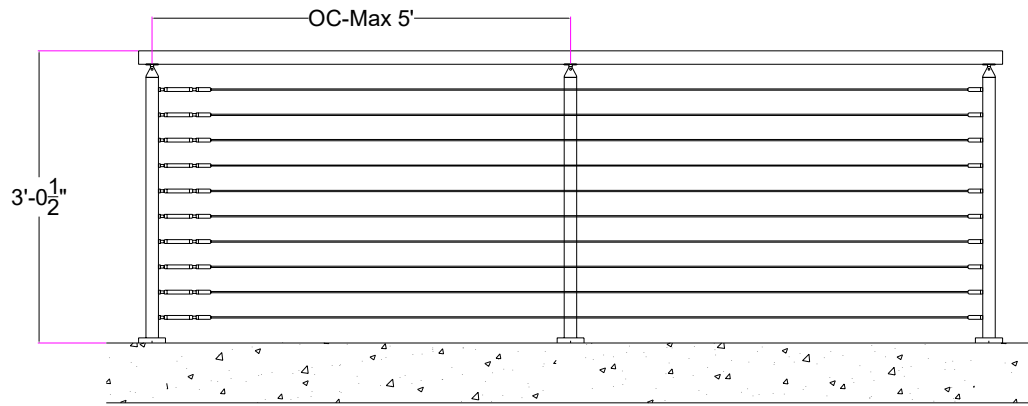
MATERIAL: SS STEEL 316 DATE: 07/27/17

DESIGNER: INLINEDSIGN

SCALE: NONE SHEET: 1 OF 7

FLOOR MOUNT STRAIGHT RUN

AVAILABLE IN 36" (OC-Max 5') AND 42" HEIGHT (OC-Max 4')



INLINE DESIGN

1420 TERRY AVE #2304
SEATTLE, WA 98108
WWW.INLINEDSIGN.US

PHONE: (425) 405 5505
FAX: (866) 864 0608
SALES@INLINEDSIGN.US

SQUARE PRESS AND LATCH
CABLE RAILING SYSTEM

DWG 2:

FLOOR MOUNT POSTS

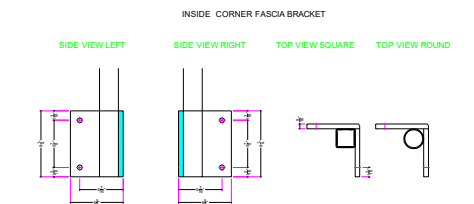
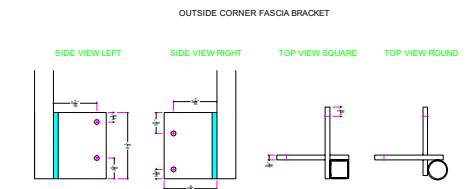
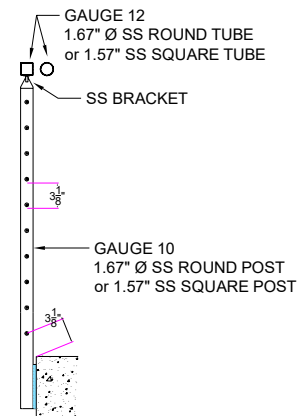
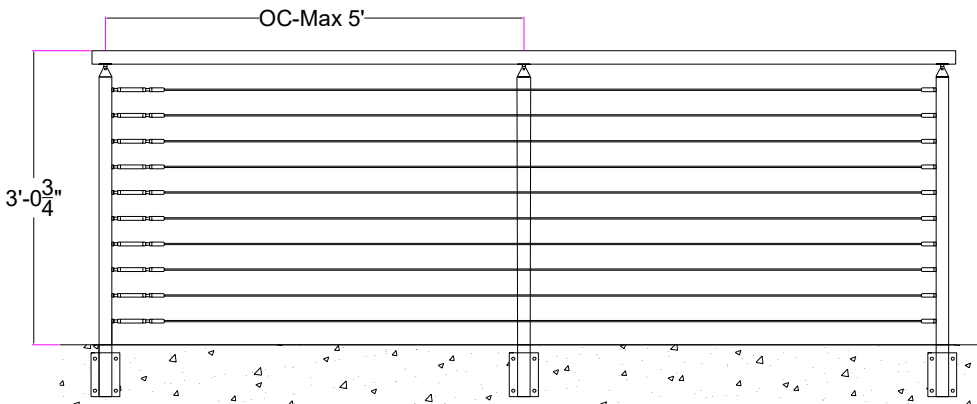
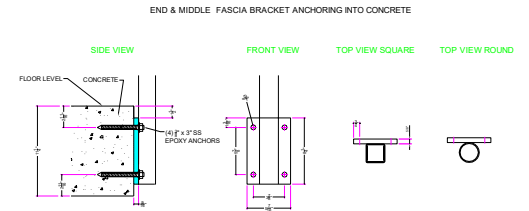
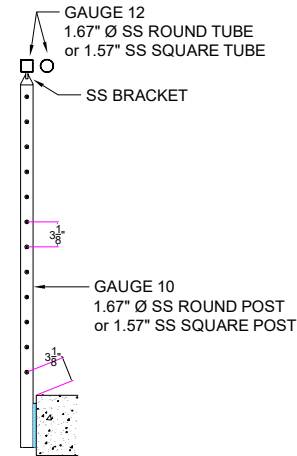
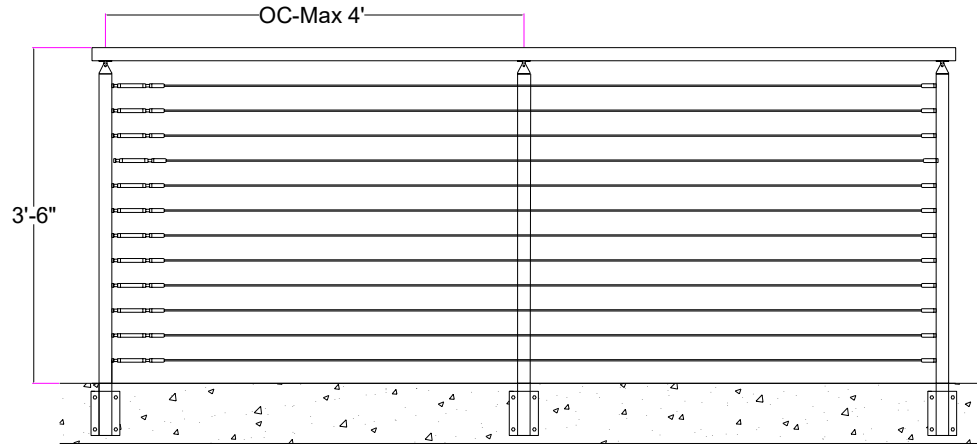
MATERIAL: SS STEEL 316
DATE: 07/27/17

DESIGNER: INLINEDSIGN

SCALE: NONE
SHEET: 2 OF 7

FASCIA MOUNT STRAIGHT RUN

AVAILABLE IN 36" (OC-Max 5') AND 42" HEIGHT (OC-Max 4')



INLINE DESIGN

1420 TERRY AVE #2304
SEATTLE, WA 98108
WWW.INLINEDESIGN.US

PHONE: (425) 405 5505
FAX: (866) 864 0608
SALES@INLINEDESIGN.US

SQUARE PRESS AND LATCH CABLE RAILING SYSTEM

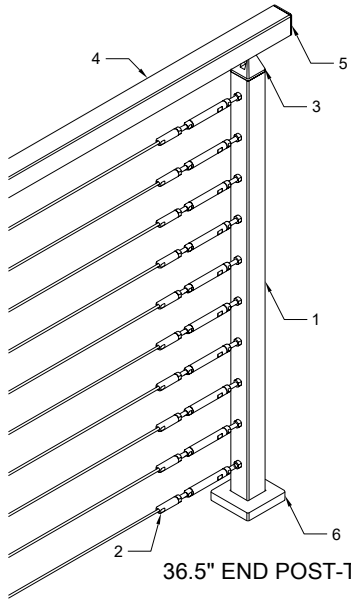
DWG 3:

42 VS 36 HEIGHT

MATERIAL: SS STEEL 316
DATE: 07/27/17

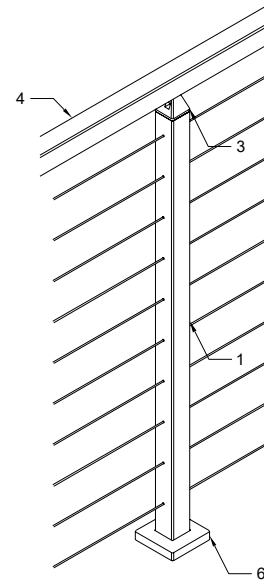
DESIGNER: INLINE DESIGN

SCALE: NONE
SHEET: 3 OF 7



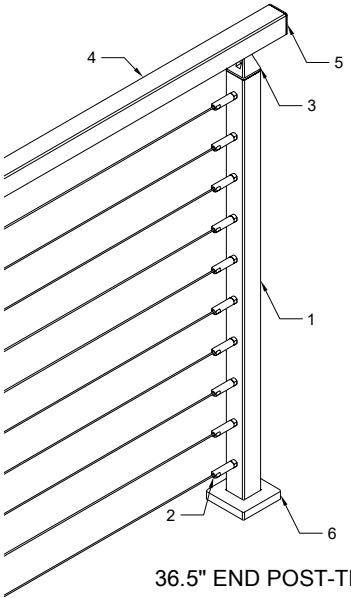
36.5" END POST-TENSIONER

| # | DESCRIPTION | QTY |
|---|-----------------|--------------|
| 1 | SQUARE POST | 1 |
| 2 | PL TENSIONER | 10 |
| 3 | PYRAMID BRACKET | 1 |
| 4 | TOP RAIL | NOT INCLUDED |
| 5 | END CAP | NOT INCLUDED |
| 6 | BASE COVER | NOT INCLUDED |



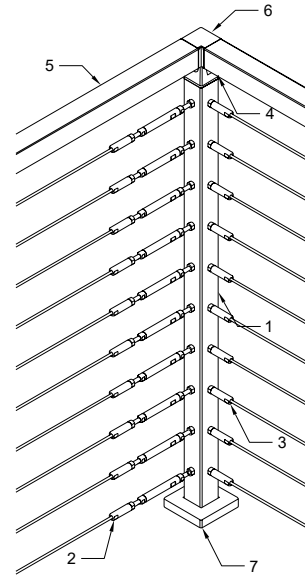
36.5" MIDDLE POST

| # | DESCRIPTION | QTY |
|---|-----------------|--------------|
| 1 | SQUARE POST | 1 |
| 2 | PYRAMID BRACKET | 1 |
| 3 | TOP RAIL | 1 |
| 4 | BASE COVER | NOT INCLUDED |



36.5" END POST-TERMINAL

| # | DESCRIPTION | QTY |
|---|-----------------|--------------|
| 1 | SQUARE POST | 1 |
| 2 | PL TERMINAL | 10 |
| 3 | PYRAMID BRACKET | 1 |
| 4 | TOP RAIL | NOT INCLUDED |
| 5 | END CAP | NOT INCLUDED |
| 6 | BASE COVER | NOT INCLUDED |



36.5" CORNER POST

| # | DESCRIPTION | QTY |
|---|--------------------|--------------|
| 1 | SQUARE POST | 1 |
| 2 | PL TENSIONER | 10 |
| 3 | PL TERMINAL | 10 |
| 4 | PYRAMID BRACKET | 1 |
| 5 | TOP RAIL | NOT INCLUDED |
| 6 | 90 M/M FLUSH ANGLE | NOT INCLUDED |
| 7 | BASE COVER | NOT INCLUDED |

INLINE DESIGN

1420 TERRY AVE #2304
SEATTLE, WA 98108
WWW.INLINEDSIGN.US

PHONE: (425) 405 5505
FAX: (866) 864 0608
SALES@INLINEDSIGN.US

**SQUARE PRESS AND LATCH
CABLE RAILING SYSTEM**

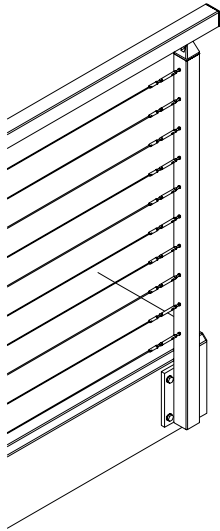
DWG 3:

POSTS TYPE

MATERIAL: SS STEEL 316 DATE: 07/27/17

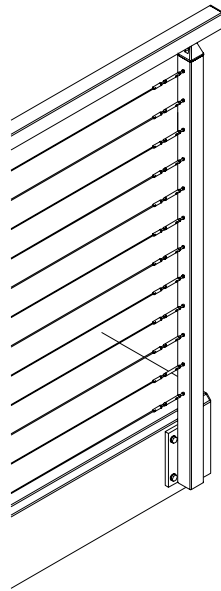
DESIGNER: INLINEDSIGN

SCALE: NONE SHEET: 4 OF 7



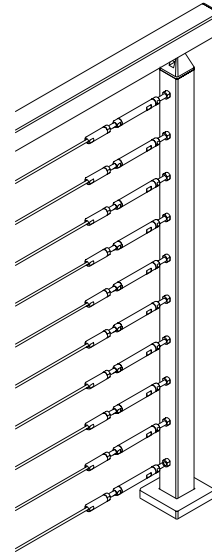
36.75" FASCIA MOUNT

PL CABLE FITTING 10



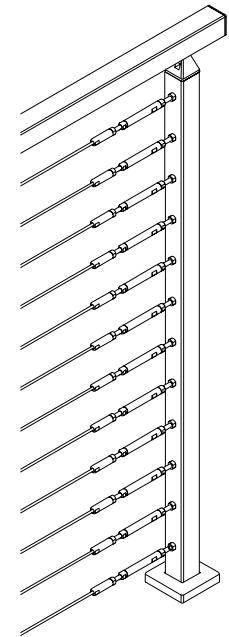
42.75" FASCIA MOUNT

PL CABLE FITTING 12



36.5" FLOOR MOUNT

PL CABLE FITTING 10



42.5" FLOOR MOUNT

PL CABLE FITTING 12

INLINE DESIGN

1420 TERRY AVE #2304
SEATTLE, WA 98108
WWW.INLINEDESIGN.US

PHONE: (425) 405 5505
FAX: (866) 864 0608
SALES@INLINEDESIGN.US

SQUARE PRESS AND LATCH CABLE RAILING SYSTEM

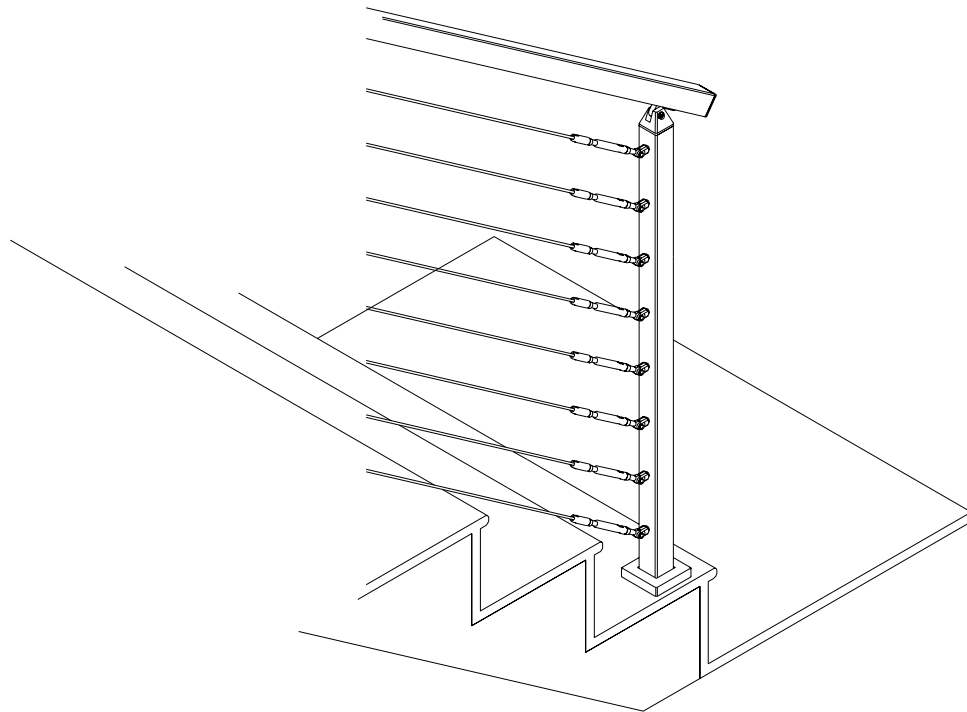
DWG 3:

42 VS 36 HEIGHT

MATERIAL: SS STEEL 316 DATE: 07/27/17

DESIGNER: INLINEDESIGN

SCALE: NONE SHEET: 5 OF 7



INLINE DESIGN

1420 TERRY AVE #2304
 SEATTLE, WA 98108
 WWW.INLINEDESIGN.US

PHONE: (425) 405 5505
 FAX: (866) 864 0608
 SALES@INLINEDESIGN.US

SQUARE PRESS AND LATCH CABLE RAILING SYSTEM

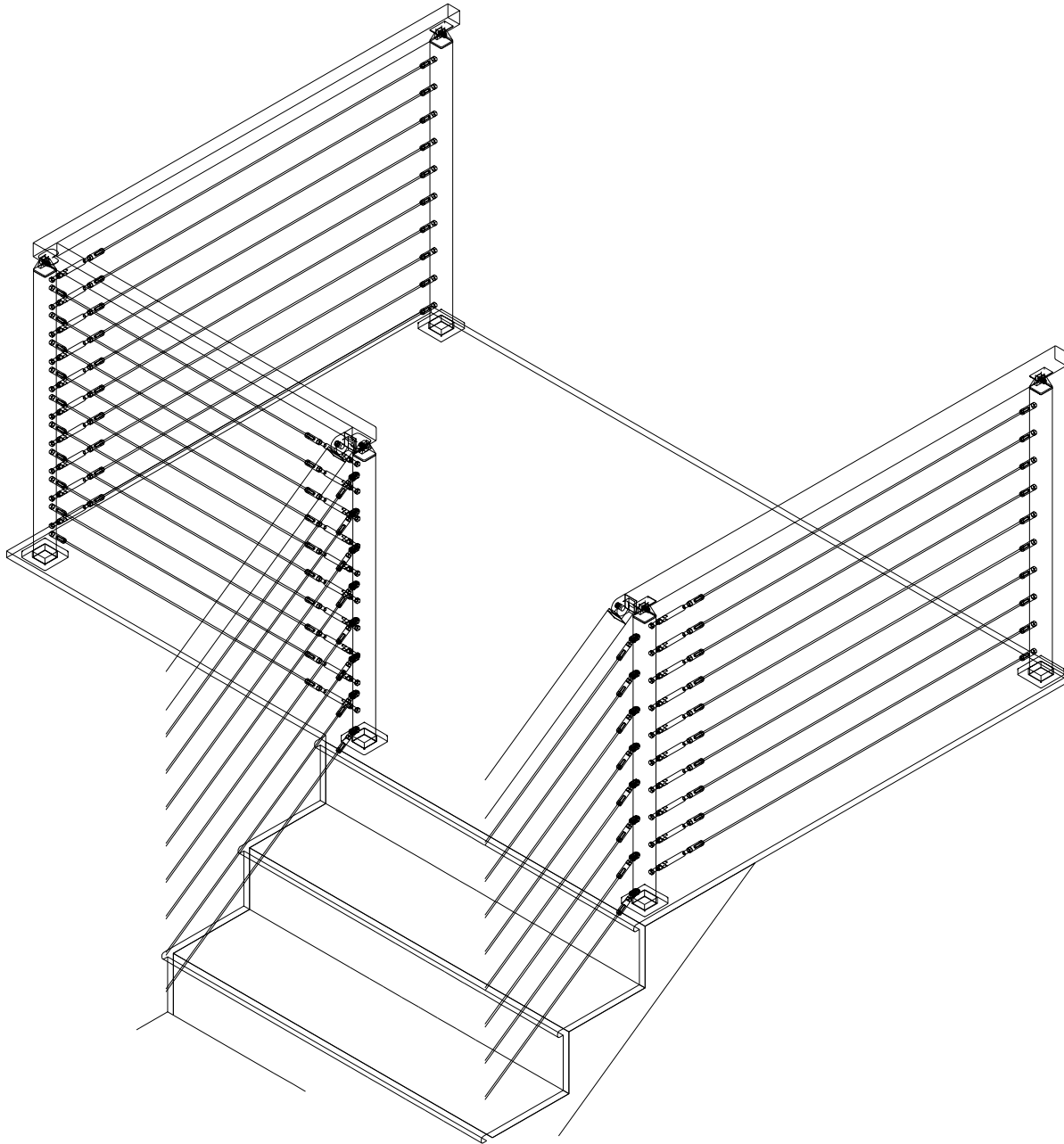
DWG 3:

STAIR POSTS

MATERIAL: SS STEEL 316 DATE: 07/27/17

DESIGNER: INLINE DESIGN

SCALE: NONE SHEET: 6 OF 7



INLINE DESIGN

1420 TERRY AVE #2304
 SEATTLE, WA 98108
 WWW.INLINEDESIGN.US

PHONE: (425) 405 5505
 FAX: (866) 864 0608
 SALES@INLINEDESIGN.US

SQUARE PRESS AND LATCH CABLE RAILING SYSTEM

DWG 3:

STAIR POSTS

MATERIAL: SS STEEL 316 DATE: 07/27/17

DESIGNER: INLINE DESIGN

SCALE: NONE SHEET: 7 OF 7