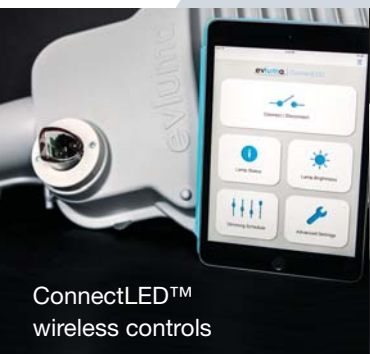


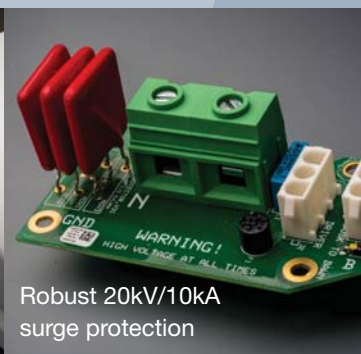
Less Maintenance.
Less Energy.
More Light.



ConnectLED™
wireless controls



Photocontrol
Failsafe™



Robust 20kV/10kA
surge protection

AreaMax™
by **evluma**

AreaMax: Utility Grade LED

A new standard for performance, reliability and savings

Perfect for rural security, residential street lighting, and parking lots. Replace 100-175W HID's with 30W-70W AreaMax LED luminaires and achieve an industry leading 140 lm/W, or more.

AreaMax standard 20kV/10kA is one of the highest rated surge protectors in market. A Class II custom driver, expertly matched components, and patented Evluma technology deliver a robust, utility-grade fixture that's built to last, and it's all backed by a 10 year warranty.

With the lowest total cost of ownership, AreaMax™ LED luminaires achieve major reductions in maintenance and energy costs over HID.

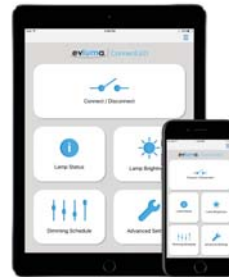


Photocontrol Failsafe™

Never roll another truck for a failed photocontrol

When a photocontrol fails, Photocontrol Failsafe™ takes over, eliminating a truck-roll and guaranteeing dusk-till-dawn operation.

Retain the existing NEMA standard twist-lock photocontrol or choose the Evluma integrated photocontrol. Either way, Evluma's Photocontrol Failsafe calibrates the on/off cycle to the unique sunrise/sunset times of the luminaire's geographic location.



ConnectLED™

Wireless lighting management

Unlock additional savings with ConnectLED™. This app for Apple, Android or Windows devices communicates wirelessly via BLE (Bluetooth Low Energy) technology to:

- Connect/Disconnect the fixture from service
- Set maximum brightness
- Set scheduled dimming
- Monitor status, and more!



Residential Lighting

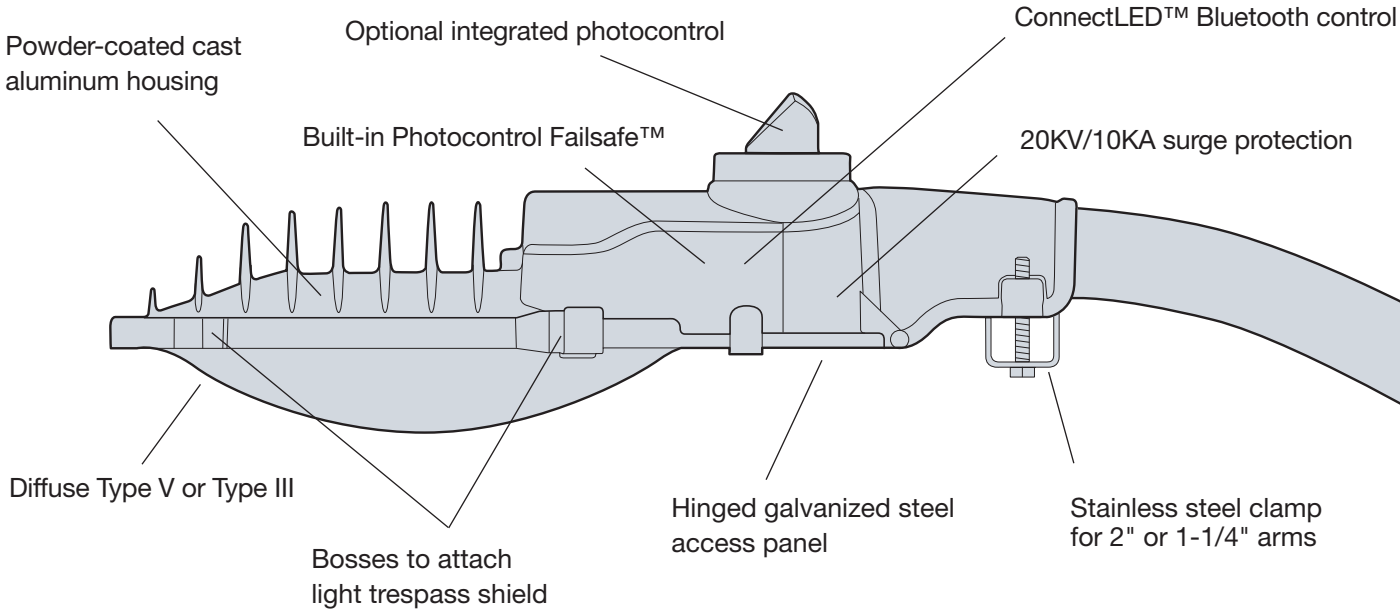


AreaMax LED Security Light

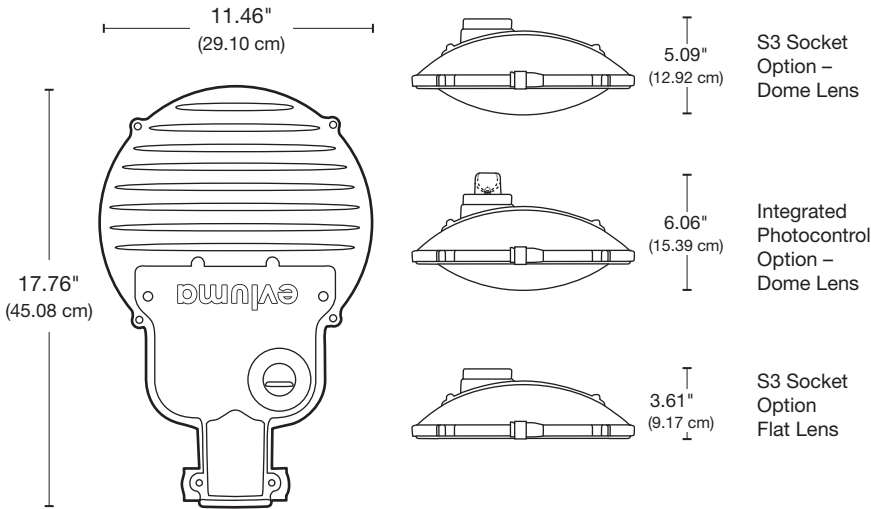


Residential Roadway Lighting

Features



Dimensions



Construction and Finish

Powder-coated, cast aluminum housing, galvanized steel, hinged access hatch with spring clips for easy open and close.

Mounting

Stainless steel tenon clamp and stainless steel screws accept 2" or 1-1/4" arm for easy slip-on installation.

Coastal Package Option

Cast aluminum alloy housing with corrosion resistant polymer coating. Aluminum access hatch, aluminum tenon clamp and stainless steel bolts.

Optical (Lens)

Textured glass, white, optical-grade reflective film liner creates a bright, non-glare, diffuse light.

Thermal Management

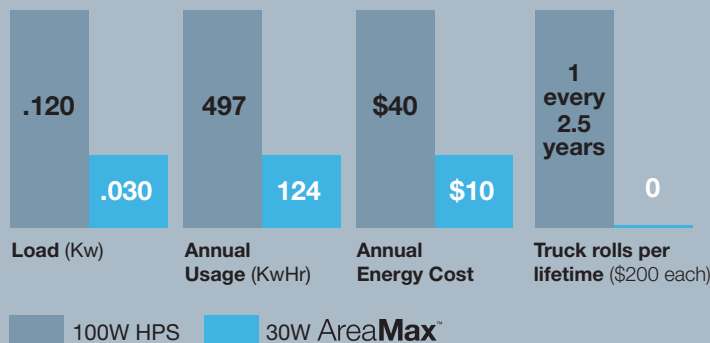
Thermal measurement protection circuitry controls current levels to the LEDs. Components of minimal thermal resistance, paired with a custom light engine and finned casting design, maximize cooling.

Assembled in the USA from domestic and imported parts.

30W Payback Model

ASSUMPTIONS

Model number
AM-30-50-5-0-P-STD-6
Annual operating hours
4140
Energy cost
.08/KwHr



Savings per Year

.08 Kw
373 KwHr
\$30 energy
\$83 maintenance

\$113 per fixture

Total Savings Over 20 Years

\$2,300

Ordering Information

Sample Number: AX-40-50-5-D-S7-CST-6

Product Family	Watts	CCT	Distribution Type	Lens (Options)	Photocontrol Socket (Options)	Environmental Package (Options)	Leads (Options)
AX = AreaMax	30 = 30 watts	27 = 2700K	5 = type V	D = dome	P = integrated	STD = std outdoor	6 = 66"
	40 = 40 watts	30 = 3000K	3 = type III	C = full cutoff	S3 = 3 pin socket	CST = coastal	10 = 10'
	55 = 55 watts	40 = 4000K			S7 = 7 pin socket		20 = 20'
	70 = 70 watts	50 = 5000K					N = none

Performance Data CRI for all models > 70

30W recommended to replace 70-100W HID

Code	Lumens	LM/W
TYPE V		
50 5 (C)	4100	137
50 5 (D)	4500	143
40 5 (C)	4000	133
40 5 (D)	4800	160
30 5 (C)	3900	130
30 5 (D)	4700	159
27 5 (C)	3400	114
27 5 (D)	3700	126
TYPE III		
50 3 (C)	4100	137
50 3 (D)	4200	140
40 3 (C)	4000	133
40 3 (D)	4100	137
30 3 (C)	3900	130
30 3 (D)	4000	133
27 3 (C)	3400	114
27 3 (D)	3500	117

40W recommended to replace 100-150W HID

Code	Lumens	LM/W
TYPE V		
50 5 (C)	5400	135
50 5 (D)	6000	150
40 5 (C)	5300	133
40 5 (D)	6200	157
30 5 (C)	5200	130
30 5 (D)	6200	156
27 5 (C)	4600	114
27 5 (D)	4900	124
TYPE III		
50 3 (C)	5300	133
50 3 (D)	5500	138
40 3 (C)	5200	130
40 3 (D)	5400	135
30 3 (C)	5100	128
30 3 (D)	5300	133
27 3 (C)	4500	113
27 3 (D)	4700	117

55W recommended to replace 100-175W HID

Code	Lumens	LM/W
TYPE V		
50 5 (C)	7300	133
50 5 (D)	7800	143
40 5 (C)	7200	131
40 5 (D)	8200	150
30 5 (C)	7000	127
30 5 (D)	8100	149
27 5 (D)	6200	112
27 5 (D)	6400	118
TYPE III		
50 3 (C)	7200	131
50 3 (D)	7400	135
40 3 (C)	7100	129
40 3 (D)	7300	133
30 3 (C)	6900	125
30 3 (D)	7100	129
27 3 (C)	6100	110
27 3 (D)	6200	113

70W recommended to replace 100 -175W HID

Code	Lumens	LM/W
TYPE V		
50 5 (C)	9100	130
50 5 (D)	9500	136
40 5 (C)	9000	129
40 5 (D)	10000	144
30 5 (C)	8800	126
30 5 (D)	10000	144
27 5 (C)	7700	111
27 5 (D)	7900	113
TYPE III		
50 3 (C)	9000	129
50 3 (D)	9300	133
40 3 (C)	8800	126
40 3 (D)	9100	130
30 3 (C)	8600	123
30 3 (D)	8900	127
27 3 (C)	7600	108
27 3 (D)	7800	112

Accessories

AMAX-LTS Stainless steel light trespass shield (order separately)

Technical Specs

Electrical Data

Driver	90-277 VAC 50/60Hz Proprietary patented Class II Driver
Surge Protection	20kV/10kA IEEE/ANSI C62.41.2-2002 Location C-High

Lumen Maintenance

L70 (10,000)	>60,000 hrs
L70 (TM-21)	>100,000 hrs

Warranty

10 Years

Energy Data

Power Factor	>99%
THD	<10% at 120 VAC <20% at 277 VAC
Off-state Power	<1/2W
Driver Lifetime	>100,000 hrs
Temperature	Ambient Min -40°C Ambient Max 50°C

Shipping Data

Single Unit Net Weight	8 lbs.
Packaged Weight	10 lbs.
Pallet	56 units / 580 lbs.

Certification Data

UL 1598 Met Labs	
IP66 IEC 60529	
ASTM D2247-6	Humidity
FM 4473	Hail Impact Resistance
ANSI C136.31=20101	Level 2 Bridge/ Overpass



Evluma makes one thing: Utility-grade outdoor LED lighting solutions

From heat management, to light quality, to integrated controls, we've been solving the biggest challenges in LED for over 2 decades. We help cities, municipalities and utility providers evolve their lighting infrastructure to meet needs of tomorrow.

TP-0032 REV A01 Preliminary



3600 Lind Avenue SW Suite 140
Renton WA 98057
425-336-5800 www.evluma.com