

## COLOURLINE GRAZE

Type:

Fixture:

Project:

Approved:



### The Ultimate Solution for Interior Color Changing Effects

**COLOURLINE GRAZE** uses Solid State Luminaires **COLOURMODE** technology for its digital dual mode functionality, bringing color changing and tunable white together in one firmware. **CLGR** offers multiple optics for precise lighting of wall grazing and wall washing applications. By using 6 DMX channels in the personality mode, this high output, interior luminaire in the ColourLine family provides mood enhancement in circadian lighting applications. The **COLOURLINE** family uses SSL developed firmware that is tested to the most current industry standard version of RDM. This technology allows our fixtures to interoperate with leading controllers and presents ease of configuration.

- **ColourMode (CM):** SSL uses Digital Dual Mode (DDM) technology to provide RGBW and Tunable White in one fixture! SSL firmware is designed to use 6 DMX channels in the DDM Personality Mode. Maximum Mood Enhancement is available to use for any type of environment. Channels 1-4 are reserved for RGBW. Channels 5-6 are used for CCT tuning. Channel 5 controls intensity while channel 6 controls CCT.
- **ColourSoft (CS):** Standard dimming technology uses 8-bit resolution for 256 individual steps. Our 32-bit on-board MCU uses SSL developed software to provide 16-bit resolution to provide 65,536 steps of resolution and only use 8-bits of addressing space! We also use a logarithmic delineation of the resolution to concentrate in the lower third of the dimming curve so the low-end dimming and color transitions have zero flicker.
- **ColourClone (CC):** As part of our manufacturing process, SSL Automated Manufacturing Robots calibrate every fixture to the exact same X,Y color coordinates to provide Step-1 like consistency. This process enables every fixture to be an exact clone. At the end of the process, a bar code is generated for every board. This allows for exact matching for job add-ons or warranty replacements.
- **ColourQuick (CQ):** Colourline™ RGBW Fixtures provide the quickest color mixing in the industry. The SSL Colourquick technology enables our Colourline™ Interior Cove and Grazer to mix quickly, within a couple inches.

**Expanded Disclaimer:** Due to continuous development and improvements, specifications are subject to change without notice. Solid State Luminaires reserves the right to change lab test details or specifications without notice. Product use certifies agreement to Solid State Luminaires terms and conditions.



# COLOURLINE GRAZE

Interior RGBW fixture



Type:

Fixture:

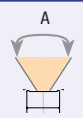
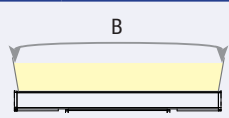
Project:

Approved:

## SPECIFICATIONS

color temperature **RGBW**

## PHYSICAL

beam spread (a), (axb)	 	12°   25°x 25°   40°x 40°
		15°x 30°   20°x 40°   30°x 40°   40°x 15°
LEDs per foot	(4 in 1 multichip) - 10 per foot	
weight	1 foot (.9 lbs) / 4 foot (3.6 lbs)	
housing	extruded aluminum housing with tooled end caps	
lens	clear polycarbonate	
mounting	standard surface mount bracket with full 180° rotation (+/- 90° from center)	
ingress protection	dry or damp locations IP43 rated	
fixture connections	daisy chain with male and female, 5-PIN, plug-n-play connectors	

## PERFORMANCE

lumen output [ all on ]	550 per foot (14 W/ft) / 381 per foot (9W/ft) / 212 per foot (5W/ft)
lumen maintenance	≥ 70,000 hours / L70
temperature	operating: -4°F to 104°F (-20°C to 40°C)   start up: -4°F to 104°F (-20°C to 40°C)   storage: -40°F to 176°F (-40°C to 80°C)
protocols	DMX 512, RDM (ANSI E1.20)
junction temperature	73°C @ T <sup>a</sup> 25°C
color mixing	<b>ColourQuick (CQ)</b> technology provides uniform beam saturation, instantaneously with not scalloping
color consistency	<b>ColourClone (CC)</b> manufacturing process uses robotic systems to provide step-1 like consistency by calibrating every fixture to the same exact X, Y, chromaticity coordinates
dimming trim	<b>ColourSoft (CS)</b> embedded firmware enables 16-bit resolution using only 8-bits of data to enhance the low trim curve for no-flicker at the slowest transition speeds.
personalization	<b>ColourMode (CM)</b> RGBW and tunable white in one fixture using 6 DMX channels. Channels 1-4 - RGBW : Channels 5-6* - tunable white (channel 5 = intensity and channel 6 = CCT) *Tunable White mode must use the entire fixture as one unit.
resolution	4 distinct personality settings allow for 3 color resolutions of 1', 2' and 4' and 1'- 4' dual mode RGBW and tunable white
warranty	5 year limited warranty (refer to website for details)

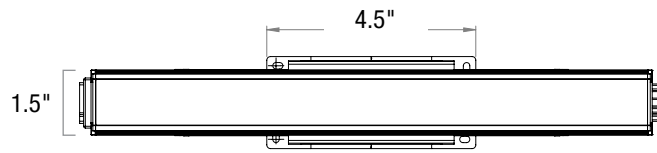
## ELECTRICAL

input voltage	Universal 120–277V AC
power supply	integral Class II, electronic high-power factor 99% @ 120V
controls	Pharos controls   SSL color controller   3rd party DMX 512, RDM standard based control system
certification	ETL / cETL or CE, FCC-Part 15
standards	UL-Class I / IES LM-79
power consumption	1 ft @ full power (14W / 9W / 5W)   4 ft @ full power (52W / 36W / 20W)

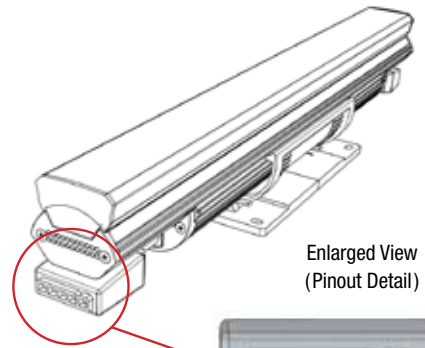
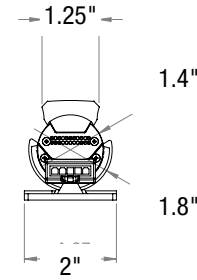
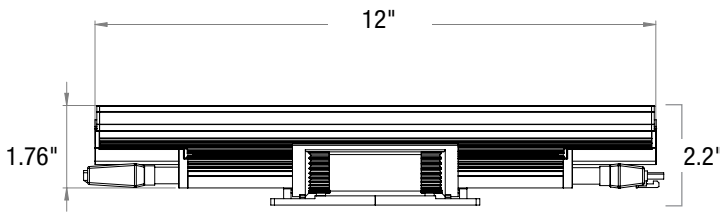
**Expanded Disclaimer:** Due to continuous development and improvements, specifications are subject to change without notice. Solid State Luminaires reserves the right to change lab test details or specifications without notice. Product use certifies agreement to Solid State Luminaires terms and conditions.



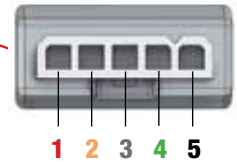
**DIMENSIONS WITH STANDARD BRACKET**



1 foot fixture

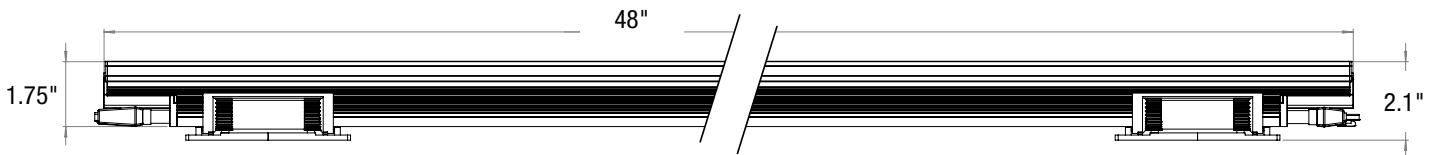
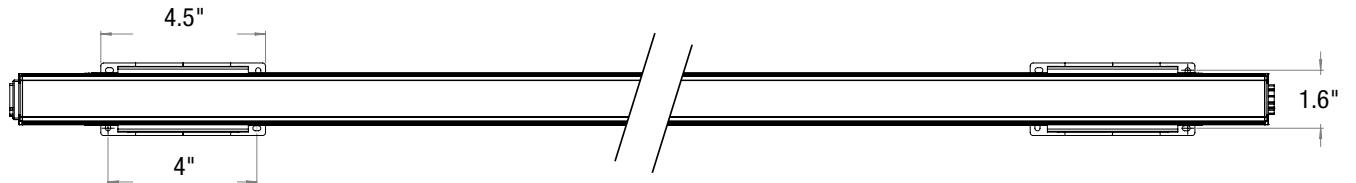


Enlarged View (Pinout Detail)

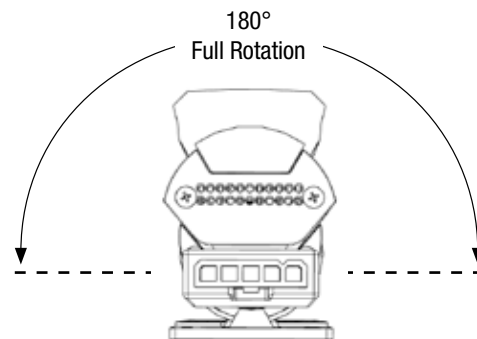
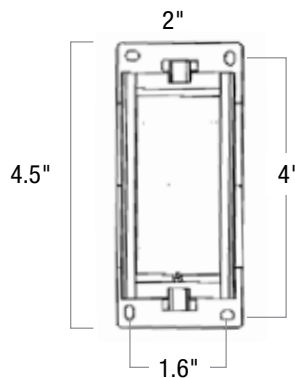
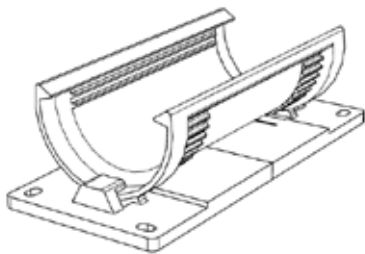


COLOR KEY	
1	Red (<+ Data [+])
2	Orange (<- Data [-])
3	White (- Neutral)
4	Green (≠ Ground)
5	Black (+ Positive)

4 foot fixture



Standard 180° Adjustable Bracket



# Ordering Information

## PART NUMBERS

CLGR													
model	length	CCT	features	output	optics	options							
CLGR COLOURLINE GRAZE	1	12 in. [305 mm]	RGBW RGBW	CQ	ColourQuick	14W	14W/ft	12	12° x 12° beam	1530	15° x 30° beam	CLL	Colourline Louver
	4	48 in. [1219 mm]		CC	ColourClone	9W	9W/ft	25	25° x 25° beam	2040	20° x 40° beam	CLHS	Colourline House Shield
			CS	ColourSoft	5W	5W/ft	40	40° x 40° beam	3040	30° x 40° beam			
			CM	ColourMode					4015	40° x 15° beam			
			AF	All Features									

### Cable Accessories (Indicate the quantity needed for each item.)

**REQUIRED:** Each linear run requires a Starter Cable (SCD10CL) and Terminator Cap (TCAP-DCL). **Maximum Run Length** = 100 feet @ 120V / 240 feet @277V

- |  |   |
|--|---|
| _____ <b>SCD10CL</b> 10 ft. Starter Connection Cord              | _____ <b>EC12-10V</b> 12 in. Extension Cord |
| _____ <b>SCD50CL</b> 50 ft. Starter Connection Cord              | _____ <b>EC24-10V</b> 24 in. Extension Cord |
| _____ <b>TCAP-DCL</b> Data Terminator Cap ( w/ 120 ohm resistor) | _____ <b>EC60-10V</b> 60 in. Extension Cord |

### Mounting Options (Indicate the quantity needed for each item.)

- |  |  |  |
|--|--|--|
| _____ <b>CA2/6</b> Cantilever Arm - 6" | _____ <b>CA2/12</b> Cantilever Arm - 12" | _____ <b>CA2/18</b> Cantilever Arm - 18" |
|--|--|--|

### Control Components (Indicate the quantity needed for each item.)

- |  |  |
|--|--|
| _____ <b>PDX</b> Power Data Wiring Box ( <i>exterior rated</i> )                                 | _____ <b>DXC-25</b> 25 foot Exterior rated DMX cable   |
| _____ <b>CSC-1</b> Colour Select Controller ( <i>includes 48 standard preset scenes</i> )        | _____ <b>DXC-50</b> 50 foot Exterior rated DMX cable   |
| _____ <b>CL-RS4</b> Colourline 4 part interior rated RDM splitter ( <i>with power supply</i> )   | _____ <b>DXC-100</b> 100 foot Exterior rated DMX cable |
| _____ <b>GU2WH</b> Nicolaudie STICK-GU2 Wall Mount Controller - White                            | _____ <b>CD-25</b> 25 foot controller data cable       |
| _____ <b>GU2BK</b> Nicolaudie STICK-GU2 Wall Mount Controller - Black                            | _____ <b>CD-50</b> 50 foot controller data cable       |
| _____ <b>PHAROS TPC-BN</b> Touch Panel Controller - Black on Nickel ( <i>512 Channels EDMX</i> ) | _____ <b>CD-100</b> 100 foot controller data cable     |
| _____ <b>PHAROS EXT</b> Extension for TPC Connectivity   |  |

Controller Data Cables/DMX Cables listed are exterior rated cable. (Belden 3105A or equivalent) CD cables have male XLR at one end.

