

MEDMASTER® MEDSLOT™

Multi-Function Luminaires for Patient Rooms

MAERS4 SERIES

PRODUCT FEATURES:

- » 4" x 48" recessed linear slot luminaire for paired, over-bed lighting
- » Provides ambient, exam and reading modes within a seamless design
- » High-output, high-CRI LED lamp sources
- » No visible room-side fasteners for clean aesthetic
- » Standard low-voltage controller
- » Standard IP64 and NSF2 ratings for cleanability and ingress-protection



PROJECT INFORMATION

Job Name _____

Fixture Type _____

Catalog Number _____

Approved by _____

SPECIFICATIONS

HOUSING: Extruded 6063-T5 aluminum construction with aluminum endcaps. Low-gloss anti-microbial white TGIC polyester powder coat finish with five-stage pre-treatment. Silicone gasketing throughout.

OPTIC: Standard 20° asymmetric distribution for all functions. Must specify Left- and Right-Throw for offset paired mounting over bed. Snap-in, one-piece extruded frost DR acrylic diffuser.

LED MODULE: Serviceable mid-power LED array. See Ordering Information for available color temperature options. Minimum 82 CRI standard (R9>20) with 90 CRI optional.

DRIVER: 120-277VAC, 50/60Hz electrical input with serviceable constant-current drivers (<20% THD, >0.90 PF). See 'CONTROL' for dimming information. Minimum 85% driver efficiency.

CONTROL: Integrated low-voltage controller with dimming (MLVCD) for pillow-switch/wall-control of ambient, exam and reading modes. "Ambient" mode operates the primary light engine at 50% output. A sustained button press on the wall/bed controller sweeps light intensity (dimming) from 50% down to 0% (bi-directionally). "Exam" mode operates the primary light engine at 100% output. Dimming is not possible in "Exam mode." "Reading" mode operates an integral secondary light engine positioned nearest the headwall. A sequential button press on the wall/bed controller changes intensity (100%/66%/33%) bi-directionally. Sealed hub provide for 1/2" threaded conduit supply.

INSTALLATION: Suitable for Type-IC recessed ceiling installation into 9/16" and 15/16" lay-in and tegular grid ceilings, flanged drywall ceilings and trimless mud-in installations with 5/8" drywall. See Ordering Information for Ceiling Type selection. Suitable for 0°C - 40°C ambient temperature environments.

PHOTOMETRICS: Photometry tested to the IESNA LM-79-08 standard by an ILAC/ISO17025 accredited laboratory. For detailed photometric information, please visit www.kenall.com.

WARRANTY: Limited five (5) year warranty.

LISTINGS: Luminaire is certified to UL standards by Intertek Testing Laboratories for Type-IC and Wet Location installations. IP64 rating per IEC60598. NSF2 Splash/Non-Food Zone rated. Standard CCEA compliance.



ORDERING INFORMATION (Ex: MAERS4-48-TG-RASYM-20L/50L/8L-35K8-DIM1-DV-LEL)

Model	Length	Ceiling Configuration	Optical Distribution	Lamp Power	Lamp Color	Driver Type	Voltage	Voltage	Options
MAERS4	48					DIM1	DV	MLVCD	
	Nominal Length			Lamp Power		Driver Type			
	48 4'			20L/50L 20W Ambient/50W Exam		DIM1 0-10V Dimming to 1% (see Control description for detail)			
				20L/50L/8L 20W Ambient/50W Exam/8W Reading					
	Ceiling Configuration			Lamp Color		Input Voltage			
	G 9/16" and 15/16" Lay-In Grid			30K8 3000K / 80 CRI min.		DV 120-277VAC, 50/60Hz			
	TG 9/16" and 15/16" Tegular Grid			30K9 3000K / 90 CRI min.					
	FL Flange			35K8 3500K / 80 CRI min.		Controls			
	TM Trimless Mud-In for 5/8" Drywall			35K9 3500K / 90 CRI min.		MLVCD Integrated Low Voltage Controller with Dimming			
	Optical Distribution			40K8 4000K / 80 CRI min.		Options			
	RASYM Asymmetric, Right Throw			40K9 4000K / 90 CRI min.		LEL Integral Emergency Battery Backup with Remote Test Button			
	LASYM Asymmetric, Left Throw					FS Fuse & Holder			

ACCESSORIES ORDERED SEPARATELY

MPWS Low Voltage Wall Switch ([Click here for Specifications](#))



www.kenall.com

P: 800-4-Kenall

F: 262-891-9701

10200 55th Street Kenosha, Wisconsin 53144

When you see this image, you will know the Kenall product shown or described is designed and manufactured in the USA with components purchased from US suppliers, and meets the Buy American requirements under the ARRA. Kenall has not determined the origin of its domestically purchased components or the subcomponents thereof. May be covered by patents found at www.kenall.com/patents. Content of specification sheets is subject to change; please consult www.kenall.com for current product details. © 2019 Kenall Mfg. Co. All rights reserved.

MAERS4-041719

MEDMASTER® MEDSLOT™

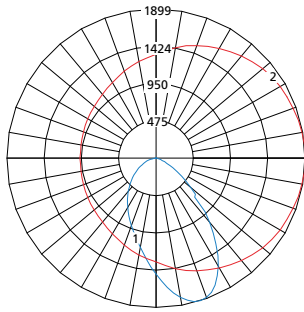
Multi-Function Luminaires for Patient Rooms

MAERS4 SERIES

PERFORMANCE		Initial Delivered Lumens, by Lamp Color (lm)						Efficacy (lm/W)	Input Power (W)	Estd. L70 LED Life (Hrs)
Function	Lamp Power	30K8	30K9	35K8	35K9	40K8	40K9			
Ambient	20L	3,022	2,480	3,092	2,540	3,059	2,603	86 - 108	29	80,000
Exam	50L	5,345	4,386	5,468	4,493	5,410	4,604	77 - 96	57	80,000
Reading	8L	957	785	979	804	969	824	76 - 95	10	80,000

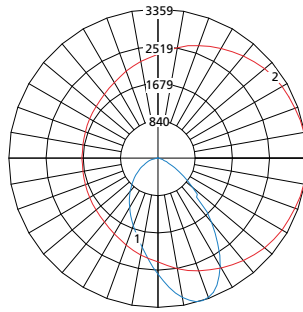
Information subject to change without notice. Visit www.kenall.com for IES files and additional information.

Model: MAERS4-yy-LASYM-20L-50L-8L-40K8-DIM1-zzz Ambient



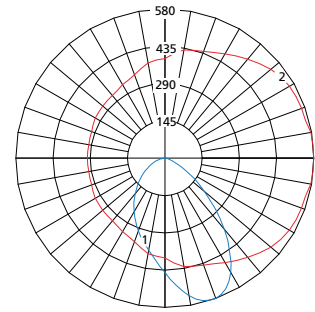
Maximum Candela = 1899 Located At Horizontal Angle = 0, Vertical Angle = 17.5
 1 - Vertical Plane Through Horizontal Angles (0-180) (Through Max. Cd.)
 2 - Horizontal Cone Through Vertical Angle (17.5) (Through Max. Cd.)

Model: MAERS4-yy-LASYM-20L-50L-8L-40K8-DIM1-zzz Exam



Maximum Candela = 3359 Located At Horizontal Angle = 0, Vertical Angle = 17.5
 1 - Vertical Plane Through Horizontal Angles (0-180) (Through Max. Cd.)
 2 - Horizontal Cone Through Vertical Angle (17.5) (Through Max. Cd.)

Model: MAERS4-yy-LASYM-20L-50L-8L-40K8-DIM1-zzz Reading

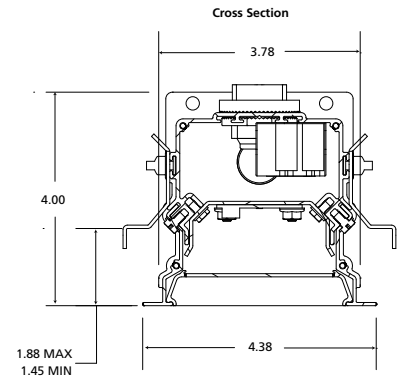
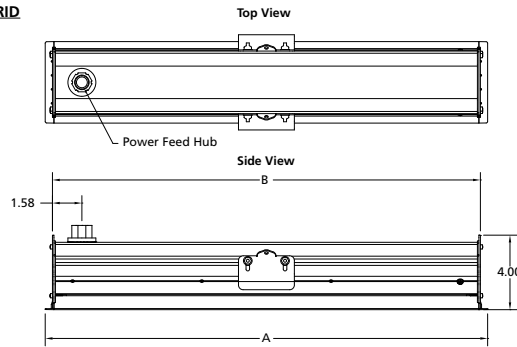


Maximum Candela = 580 Located At Horizontal Angle = 0, Vertical Angle = 20
 1 - Vertical Plane Through Horizontal Angles (0-180) (Through Max. Cd.)
 2 - Horizontal Cone Through Vertical Angle (20) (Through Max. Cd.)

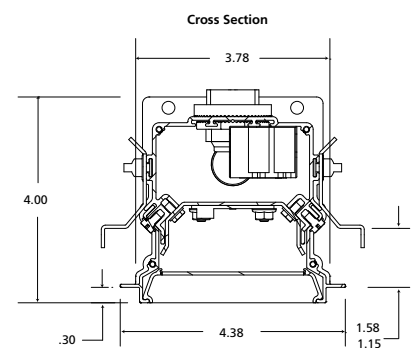
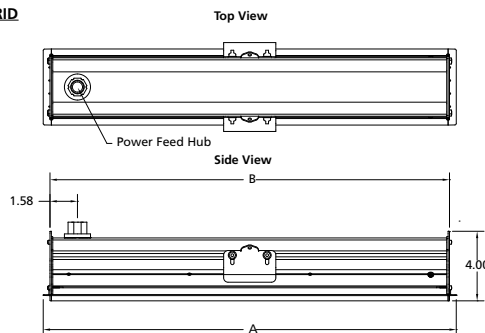
DIMENSIONAL DATA

Nominal Length	Ceiling Configuration	A	B
48	LAY-IN GRID	47.75"	46.97"
	TEGULAR	47.75"	46.97"

LAY-IN GRID



TEGULAR GRID



www.kenall.com

P: 800-4-Kenall

F: 262-891-9701

10200 55th Street Kenosha, Wisconsin 53144

When you see this image, you will know the Kenall product shown or described is designed and manufactured in the USA with components purchased from US suppliers, and meets the Buy American requirements under the ARRA. Kenall has not determined the origin of its domestically purchased components or the subcomponents thereof. May be covered by patents found at www.kenall.com/patents. Content of specification sheets is subject to change; please consult www.kenall.com for current product details. © 2019 Kenall Mfg. Co. All rights reserved.

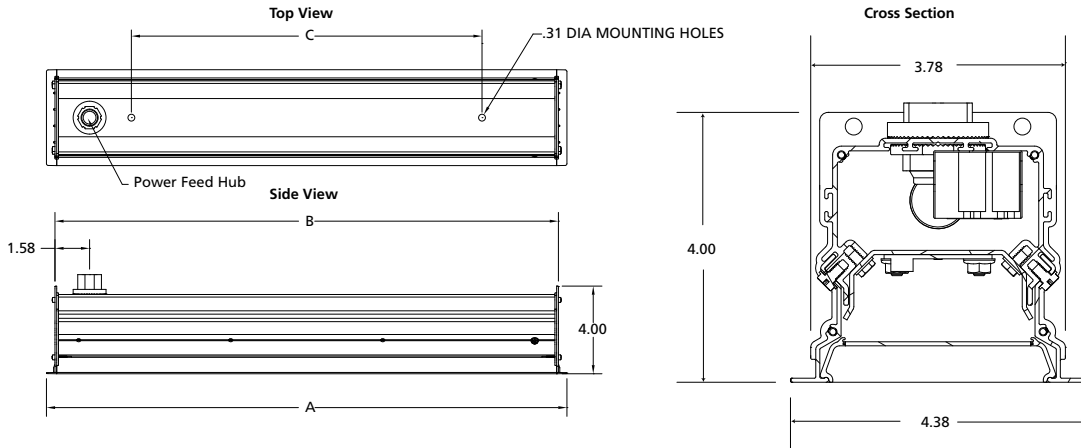
MEDMASTER® MEDSLOT™

Multi-Function Luminaires for Patient Rooms

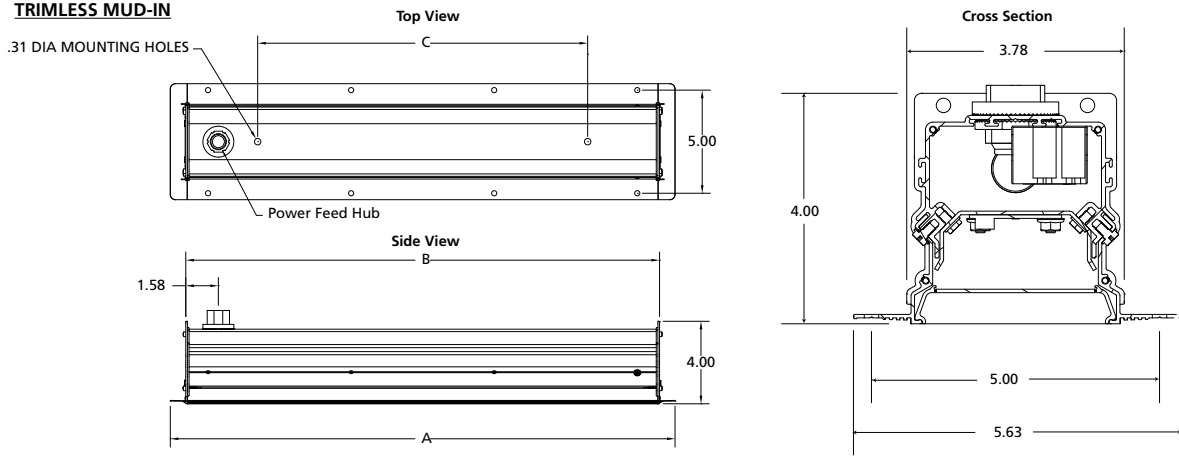
MAERS4 SERIES

DIMENSIONAL DATA

FLANGE

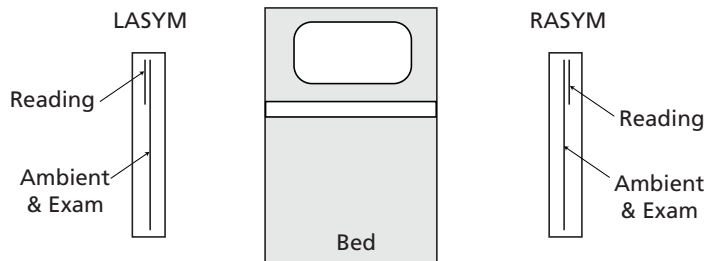


TRIMLESS MUD-IN



Nominal Length	Ceiling Configuration	A	B	C	Ceiling Cut-Out
48	FLANGE	47.75"	46.97"	40.00"	3.875" x 47.25"
	TRIMLESS	48.47"	46.97"	40.00"	

LUMINAIRE ORIENTATION / LAYOUT (must be specified in pairs)



NOTE: The power feed hub (supplied) is located toward the headwall.



www.kenall.com

P: 800-4-Kenall

F: 262-891-9701

10200 55th Street Kenosha, Wisconsin 53144

When you see this image, you will know the Kenall product shown or described is designed and manufactured in the USA with components purchased from US suppliers, and meets the Buy American requirements under the ARRA. Kenall has not determined the origin of its domestically purchased components or the subcomponents thereof. May be covered by patents found at www.kenall.com/patents. Content of specification sheets is subject to change; please consult www.kenall.com for current product details. © 2019 Kenall Mfg. Co. All rights reserved.