

MA SERIES

OMNI-DIRECTIONAL

HIGH POWER SPEAKER ARRAYS



UL 1480A LISTED

CLASS I, DIVISION 2,
GROUPS A, B, C, AND D
HAZARDOUS LOCATION
CERTIFIED

WIDE FREQUENCY
RANGE OF 100 Hz - 8 kHz

OPTIMIZED FOR HUMAN
VOICE

ACOUSTIC BEAM OF
90-360°

1, 2, 3, AND 5 SIDED
OPTIONS

EXCELLENT VOICE
INTELLIGIBILITY

The HyperSpike® MA product line is a series of 360° high power mass notification systems that are battle-tested and battle-proven. Housed in an all-composite, waterproof, UV-resistant enclosure, the MA products can withstand any environmental condition. The lightweight, compact speaker seamlessly blends into most environments with minimal assembly, providing an aesthetic appearance. MA Series applications are endless. From military security to emergency notification on campuses, HyperSpike® has you covered.

With a powerful acoustical output, broad range of use, and industry leading intelligibility, your message is guaranteed to be heard and understood. When the message matters, HyperSpike® delivers.



LEADING THE INDUSTRY IN VOICE INTELLIGIBILITY, HYPERSPIKE® MA SERIES SPEAKER TECHNOLOGY ACHIEVES EXCEPTIONAL STI RATINGS, ENSURING COMMANDS ARE CLEARLY TRANSMITTED AND HEARD; EVEN IN HIGH NOISE ENVIRONMENTS.

MA-MICRO

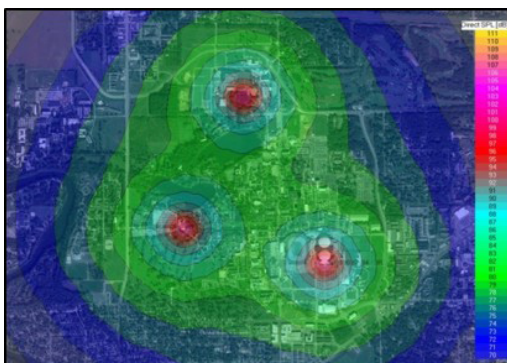
The HyperSpike® MA-Micro is the small but mighty little brother to the MA-1. Ideal for high ambient indoor or outdoor environments, this 360° speaker array delivers an acoustic output of 134 dB and 0.5 square mile range of use. Common applications include arenas, manufacturing facilities, temporary alerting, and flight decks.

MA-1

Ideal for rapid field deployment or static mounting, the MA-1 is flexible and configurable for any situation, making it the "clear" choice for alerting and facilitating a response before, during, or after an event. With all five sides engaged, the MA-1 is capable of an acoustic output of 143 dB and broadcast range of up to 4 square miles.



Can you spot the HyperSpike® MA-1 speaker?



MA-2 sound map of a large college campus. Contact us for **FREE** sound mapping of your facility.

MA-2

With the constant need to alert and inform, the HyperSpike® MA-2 is a battle-tested and battle-proven mass notification system. Ideal for rapid deployment, the MA-2 system can go from its road case to fully operational in under five minutes with minimal manpower.

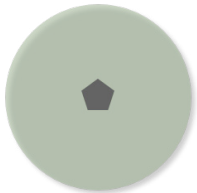
The MA-2 delivers an acoustic output of 148 dB and broadcast range of 12 square miles, so you can be confident that voice commands and tones will save lives, mitigate casualties, and minimize chaos.

APPLICATIONS

- EMERGENCY NOTIFICATION
- FORCE PROTECTION
- DISASTER RELIEF ALERTING
- TEMPORARY ALERTING
- MILITARY SECURITY
- CAMPUS SECURITY
- FLIGHT DECKS
- MANUFACTURING FACILITIES
- ARENAS
- INDOOR FACILITIES

RIGHT-SIZE YOUR MASS NOTIFICATION

With the ever-increasing need for flexibility in mass notification, the HyperSpike® MA-1 and MA-2 allow customizable mass notification. One or multiple sides can be activated, providing right-sized sectorized notification. With minimal influence on output, the MA-1 and MA-2 can be used where selective notification is necessary to minimize the effect on neighboring areas.



5S



3S



2S



1S



	MA-Micro	MA-1	MA-2
Peak SPL	134 dB	143 dB	148 dB
Range of Use	0.5 square mile	4 square miles	12 square miles
Voice Intelligibility *(STI Rating)	Excellent	Excellent	Excellent
Weight	20 lbs	16-48 lbs	36-96 lbs
Frequency Response	125 Hz - 8 kHz	125 Hz - 8 kHz	100 Hz - 7 kHz
Power	50-650 W	1600 W	3200 W
Acoustic Beam	360°	90-360°	90-360°
Environment	Indoor/Outdoor	Outdoor	Outdoor
UL 1480A Listed CSA C22.2 No. 205 CAN/CSA C22.2 No. 213-15 ANSI/ISA 12.12.01-2015 CSFM	●	●	●
Class I, Division 2, Groups A, B, C, and D Hazardous Locations Certified	●	●	●
On-Site Demo Available	●	●	●
EASE® / EASE® Evac .gll Files Available	●	●	●

*Speech Transmission Index (STI Rating)



MODELS AND CONFIGURATIONS

90000A-800-00-L

CERTIFICATION:

N/A – Uncertified versions
 L – 1480A and Class I Division 2, Group A, B, C, and D certified
 (Not available for 90162A or 90163A)

COLOR CODE:

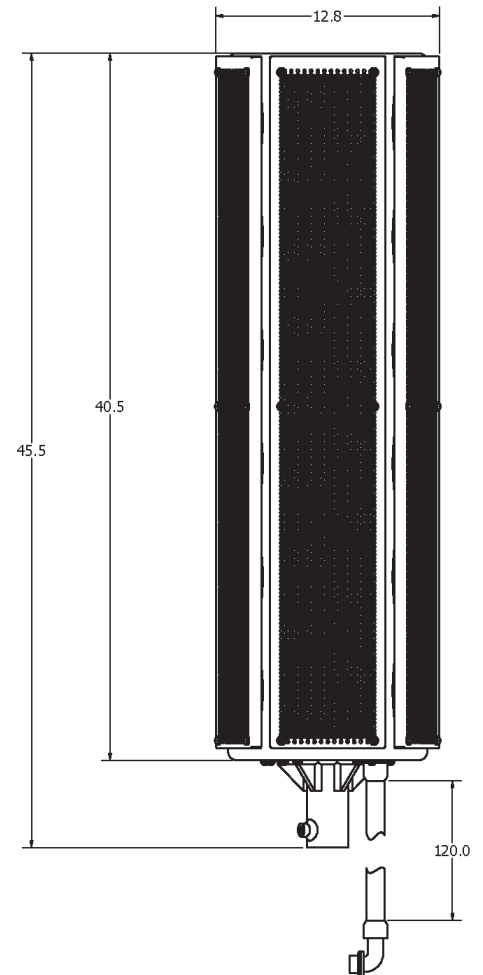
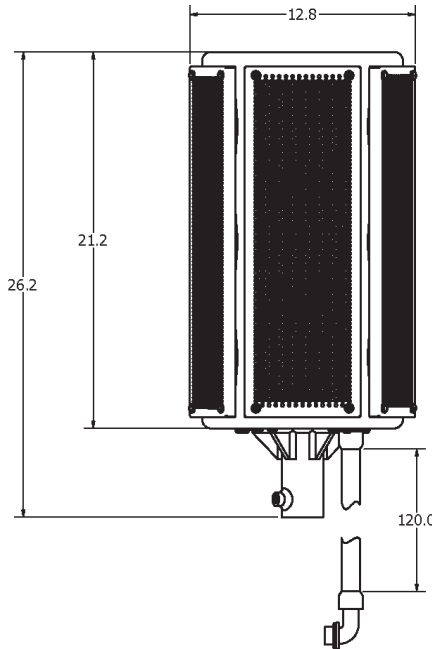
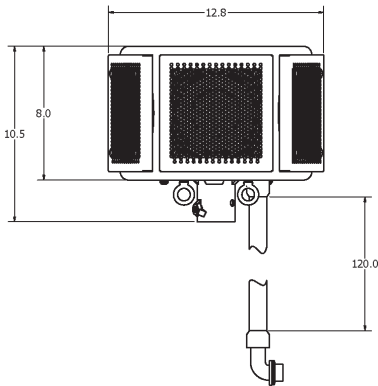
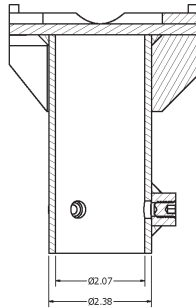
02 – Tan
 04 – Gray

CONFIGURATION:

801 – 5 sided
 802 – 3 sided
 803 – 2 sided
 804 – 1 sided

PRODUCT:

90105A – MA-1 Single-Channel
 90223A – MA-1 Multi-Channel
 90162A – MA-1 Connectorized
 90080A – MA-2 Single-Channel
 90224A – MA-2 Multi-Channel
 90163A – MA-2 Connectorized



making a difference

Ultra Electronics
 USSI
 4868 East Park 30 Drive
 Columbia City
 Indiana, 46725-8861
 USA
 Tel: +1 260-248-3666
 Email: hs.sales@ultra-ussi.com
www.ultra-hyperspike.com
www.ultra-electronics.com



Ultra Electronics reserves the right to vary these specifications without notice.

© Ultra Electronics Limited 2017.

Printed in USA

MA-SERIES Brochure / Rev 1