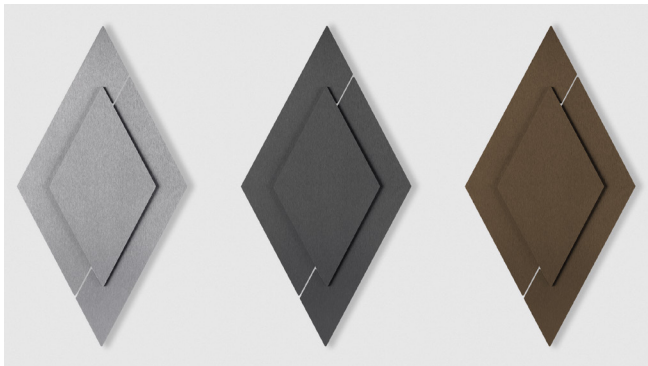


apex KL-A0040



*shown in the open/on position
*shown in charcoal

options



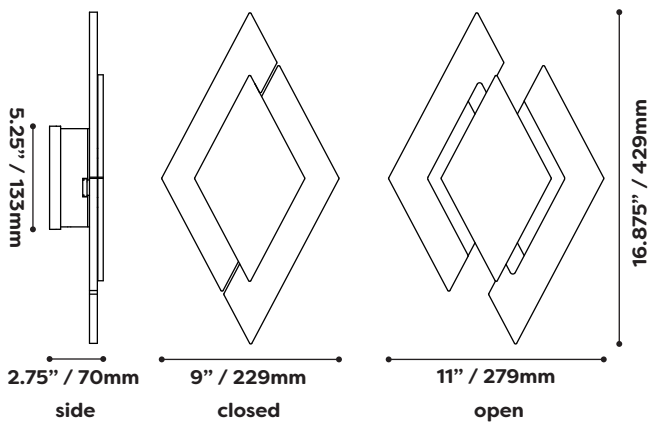
silver

charcoal

bronze

*shown in the closed/off position

size



design

The apex wall sconce visually creates movement due its geometric nature. When turned on, the two outer halves move outward to create a unique shape with the contrast of white light highlighting the outer shape of the design. A user-selectable splash of color adds another element of visual appeal by highlighting its center shape. Can be mounted vertically or horizontally. Available in three finishes.

light sources

LED - 2700K white.
RGB LED - User-selectable.

housing

CNC machined 6061 aircraft grade aluminum.

facade

CNC machined anodized brushed aluminum with laminated acrylic backing. Moving and stationary. *see website for additional options

installation

Wall plate adapter for installation on a 4" round remodel ceiling box or standard 1-Gang rectangular wall box. Light can be mounted vertically or horizontally.

transition time

4.5 seconds - closed/OFF to open/ON position.

series

rive

model

apex - KL-A0040

light sources

2700k white LED's
RGB LED's

voltage

120 volt

housing finish

flat white powder coat

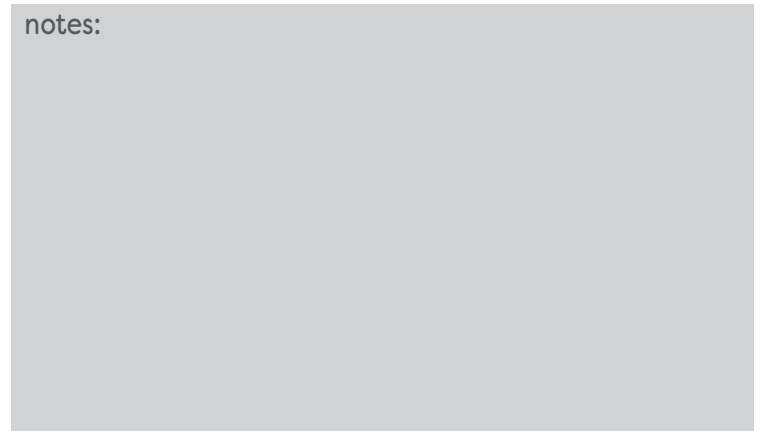
facade finish

anodized brushed aluminum
silver
charcoal
bronze

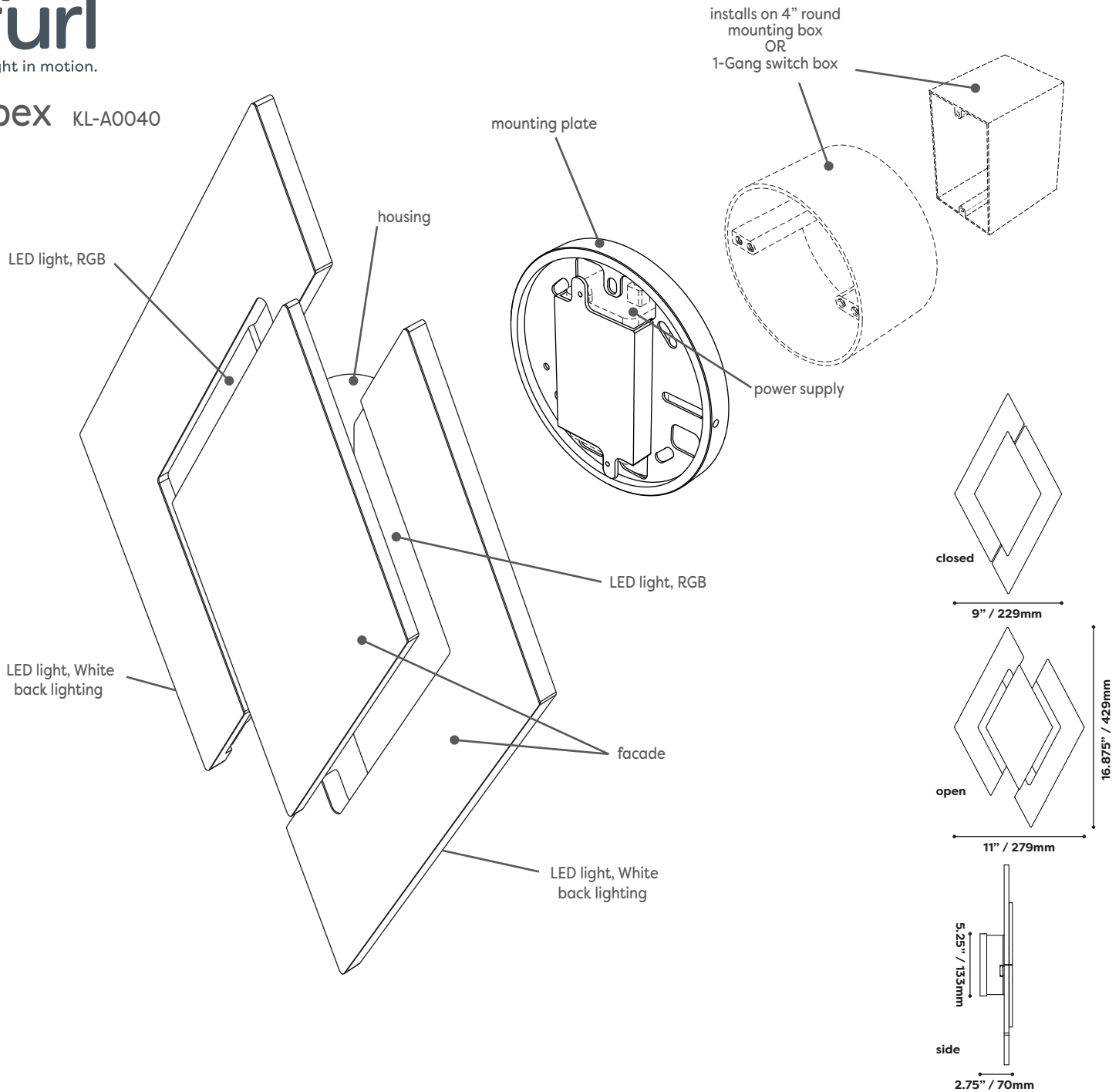
dimensions

H: closed/open - 16.875"
W: closed/open - 9" / 11"
D: closed/open - 2.75"

notes:



apex KL-A0040



specifications

model	Apex - KL-A0040
size	H: 16.875" W: 9" (closed) / 11" (open) D: 2.75"
finish options	Silver, Charcoal, Bronze.
mounting	Mounting plate installs on 4" round remodel ceiling box or standard 1-Gang box. Vertical or horizontal orientation.
power supply	Input Voltage: 100-240VAC to UL approved DC power supply / Output Voltage: 12VDC - 12 Watts (SELV Class II).
transition time	4.5 seconds - closed/OFF to open ON.
light sources	White 2700K LED (x12), RGB LED (x18).
mounting plate	CNC machined aluminum. Flat white powder coated finish.
housing	CNC machined aluminum. Flat white powder coated finish.
facade	Anodized brushed aluminum with laminated acrylic backing.

