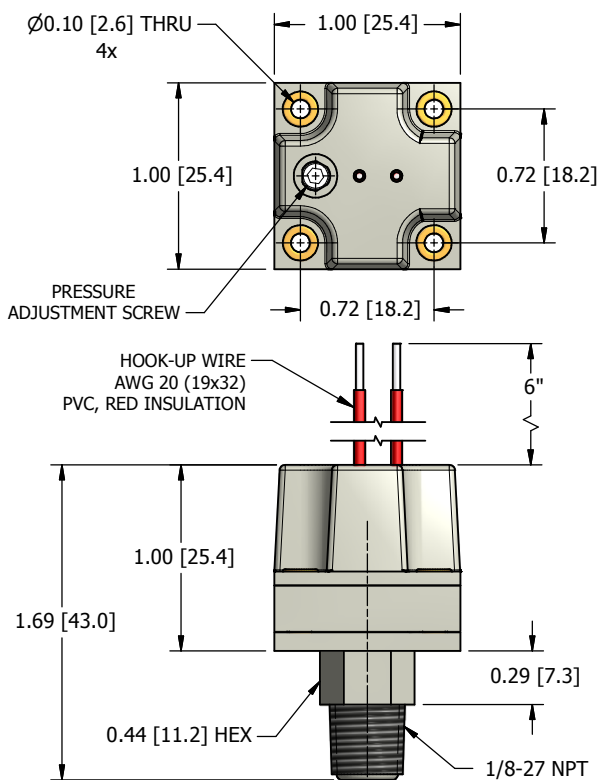


## FEATURES / BENEFITS

- Compact, lightweight, environmentally sealed housing
- Field adjustable pressure and vacuum set points from -11.9 to 60psi
- Many standard pressure port and mountings options
- Custom design and engineering available
- Custom electrical lead lengths with option to add electrical connector



MODEL PSF111 - (NPT OPTION SHOWN)



The versatile PSF111 pressure and vacuum switch offers a wide range of field adjustable set points, port options and electrical connections. Using a waterproof snap-action microswitch and the new DesignFlex protective housing, this switch is ideal for use in hostile environments where dust and water ingress may be an issue.

## SPECIFICATIONS

### MECHANICAL

Standard Tolerance	±20% (Tighter tolerances available)
Switch Type	SPDT (single pole / double throw) normally open (std.)   normally closed (opt.)
Switching Medium	Air; compatible fluids
Mechanical Life	More than 1 million cycles
Maximum Operating Pressure	Varies by option – see Adjustable Pressure Set Point Options overleaf
Operating Temp.	-40°F to +185°F

### PHYSICAL

Case Material	Polycarbonate (optional: Lexan 141, Ryton®, Ultem®, Noryl®) 112 – 113 range use PPS wetted parts
Pressure Port Options	Many standard ports — see Pressure Port / Cover Options overleaf
Diaphragm Material	Polyurethane (Teflon® optional with limited pressure ranges) other options available
Contact Points	Silver (Gold available on special order)
Electrical Connections	6" AWG 20 PVC wire (2 or 3 wire) other length and connector options available
Mounting	#4 Screws through mounting lugs; #2 Screws through eyelets;
Weight	Less than 20 grams

### ELECTRICAL

Current Rating	3 AMP standard   4 AMP available
Operating Voltage	12 VDC / 125 VAC

DESIGNFLEX™ STANDARD OPTIONS — Choose from our standard PSF111 options as shown below or contact our vertically integrated in-house design and engineering team for special features and unique application needs. Sample switch available by request.

## ADJUSTABLE PRESSURE SET POINT OPTIONS

11X available pressure ranges P = pressure, V = vacuum	110	P	111	P	112	P	113	P	114	V	115	V	116	V
In H <sub>2</sub> O	30 to 60		60 to 135		135 to 416		416 to 1661		15 to 45		45 to 110		110 to 330	
mbar	75 to 149		149 to 336		336 to 1036		1036 to 4137		37 to 112		112 to 274		274 to 822	
psi	1.1 to 2.2		2.2 to 4.9		4.9 to 15		15 to 60		0.54 to 1.63		1.63 to 4.0		4.0 to 11.9	
Max. Operating Pressure (PUR)	30psi		30psi		70psi		70psi		14.7psi		14.7psi		14.7psi	
Max. Operating Pressure (PTFE)	15psi		15psi		30psi		30psi		14.7psi		14.7psi		14.7psi	
Electrical 125 VAC, Resistive Load (SEALED spdt)	3A std. 4A avail.		3A std. 4A avail.		3A std. 4A avail.		3A std. 4A avail.		3A std. 4A avail.		3A std. 4A avail.		3A std. 4A avail.	

## PRESSURE PORT/COVER OPTIONS

<b>P</b> <b>00</b>		<b>P</b> <b>01</b>		<b>P</b> <b>02</b>		<b>P</b> <b>04</b>		<b>P</b> <b>06</b>	
Smooth Port .156" diameter for 1/8" ID tubing w/mtg. lugs		Smooth Port .156" diameter for 1/8" ID tubing w/o mtg. lugs		Barbed Port for 3/16" ID tubing w/mtg. lugs		Barbed Port for 3/16" ID tubing w/o mtg. lugs		1/8" NPT Port w/o mtg. lugs	
<b>P</b> <b>07</b>		<b>P</b> <b>08</b>		<b>P</b> <b>09</b>		<b>P</b> <b>10</b>		<b>P</b> <b>12</b>	
Flo-Thru Barbed Port for 1/8" ID tubing w/o mtg. lugs		Smooth Port .250" diameter for 7/32" ID tubing w/o mtg. lugs		Smooth Port .250" diameter for 7/32" ID tubing w/mtg. lugs		Barbed Port for 1/8" ID tubing w/mtg. lugs		Barbed Port for 1/8" ID tubing w/o mtg. lugs	
<b>P</b> <b>14</b>		<b>P</b> <b>15</b>		<b>P</b> <b>16</b>					
<b>V</b>		<b>V</b>		<b>V</b>					
1/4" Port for Quick Connect Fitting w/o mtg. lugs		M8 x 1.25 Port w/o mtg. lugs		Barbed Port .200 dia. for 3/16" ID tubing w/mtg. lugs					
<b>Diaphragm Options</b>		<b>1</b> Polyurethane (standard)		<b>2</b> Teflon (optional)					

### Model Design Guide

For building standard model order number

PSF111 Series Number      Pressure Port / Cover Option Number      Diaphragm Option Number      Three Digit Set Point Option Number

6

—