

All Weather Padlock

medeco
ASSA ABLOY

Experience a safer
and more open world



All Weather Padlock

The All Weather Padlock (AWP) offers the highest level of padlock weather and severe service protection available from Medeco. The body is solid 303 stainless steel with either stainless steel or hardened boron alloy shackles. A weatherproof cylinder seal cap seals both mechanical and eCylinders from harsh environments. Multiple mechanical and intelligent key technologies are available.

The AWP is not only weatherproof, it is also a high security padlock. Mechanical cylinders provide the benefit of patented key control and resistance to surreptitious attacks while both the Medeco CLIQ and XT Intelligent Key cylinders add sophisticated audit and control features.

Technical Information:

- 300 Series, extruded stainless steel body resists attack and corrosion
- 5/16" and 7/16" diameter, stainless steel or boron alloy shackles
- 1 7/8", 2 3/8", 2", and 2 1/2" shackle lengths
- Weatherproof cylinder seal cap attached by a stainless steel cable
- Key retaining cylinder design
- O-ring sealed cap, cylinder, and shackles resist grime and water freeze-up at low temperatures

Padlock Testing & Compliance:

- IEC 60529 - IP68 (Water & Dust Ingress)
- MIL-STD-202G - 201A (Vibration)
- ASTM F883-13 - Tensile, Shock, Plug Pull, Plug Torque, Cutting, Corrosion - Salt Fog
 - Grade 6 - 7/16" shackle - Cutting Test
 - Grade 5 - 5/16" shackle - Cutting Test

Applications:

- The AWP is designed for installations requiring service in harsh weather conditions. Applications include perimeter security gates, tool cabinets, storage lockers and transportation cargo containers.

Warranty:

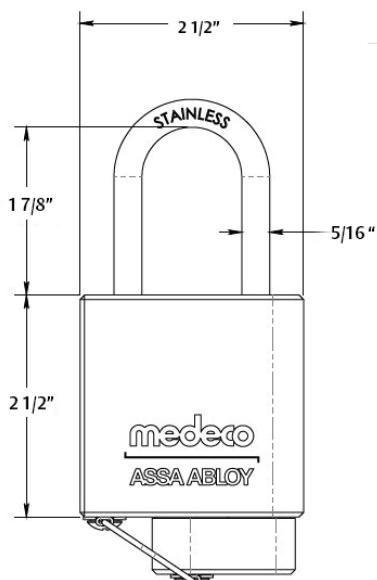
Warranted for two (2) years against manufacturer's defects. See the Medeco limited warranty for details.

Available Key Technologies:

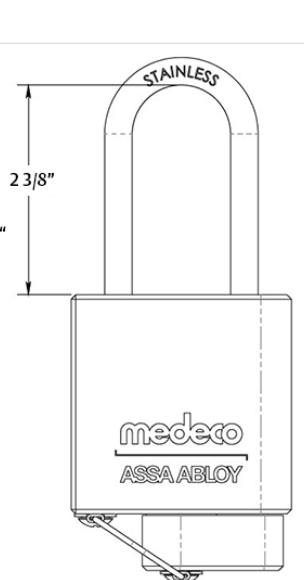


Mechanical	Intelligent Key
<ul style="list-style-type: none">• Medeco 3	<ul style="list-style-type: none">• Medeco 3 Biaxial CLIQ
<ul style="list-style-type: none">• Medeco Biaxial	<ul style="list-style-type: none">• Medeco X4 CLIQ
<ul style="list-style-type: none">• Medeco 3 Bilevel	<ul style="list-style-type: none">• Medeco XT
<ul style="list-style-type: none">• Medeco X4	
<ul style="list-style-type: none">• Medeco Original	

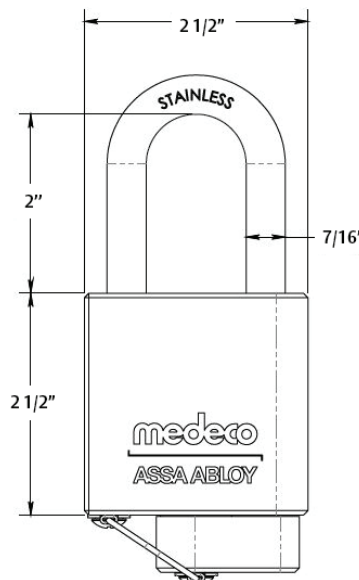
Available in 5/16" and 7/16" Diameter Shackle - Regular & Extended Sizes



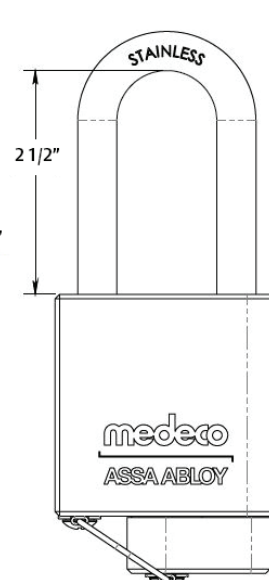
1 7/8" Shackle Clearance
STANDARD



2 3/8" Shackle Clearance
EXTENDED



2" Shackle Clearance
STANDARD



2 1/2" Shackle Clearance
EXTENDED

All Weather Padlock - 5/16" Shackle - no cylinder

Description	Part Number
AWP 5/16" dia SS shackle, less cyl, 1 7/8" clearance	50-0551L
AWP 5/16" dia SS shackle, less cyl, 2 3/8" clearance	50-0552L
AWP 5/16" dia Boron shackle, less cyl, 1 7/8" clearance	50-0553L
AWP 5/16" dia Boron shackle, less cyl, 2 3/8" clearance	50-0554L

All Weather Padlock - 5/16" Shackle w/cylinder

Description	Part Number
AWP 5/16" dia SS shackle, 1 7/8" clearance	5005511-X-26-XX (P/S)
AWP 5/16" dia SS shackle, 2 3/8" clearance	5005521-X-26-XX (P/S)
AWP 5/16" dia Boron shackle, 1 7/8" clearance	5005531-X-26-XX (P/S)
AWP 5/16" dia Boron shackle, 2 3/8" clearance	5005541-X-26-XX (P/S)

All Weather Padlock - 7/16" Shackle - no cylinder

Description	Part Number
AWP 7/16" dia SS shackle, less cyl, 2" clearance	50-0571L
AWP 7/16" dia SS shackle, less cyl, 2 1/2" clearance	50-0572L
AWP 7/16" dia Boron shackle, less cyl, 2" clearance	50-0573L
AWP 7/16" dia Boron shackle, less cyl, 2 1/2" clearance	50-0574L

All Weather Padlock - 7/16" Shackle w/cylinder

Description	Part Number
AWP 7/16" dia SS shackle, 2" clearance	5005711-X-26-XX (P/S)
AWP 7/16" dia SS shackle, 2 1/2" clearance	5005721-X-26-XX (P/S)
AWP 7/16" dia Boron shackle, 2" clearance	5005731-X-26-XX (P/S)
AWP 7/16" dia Boron shackle, 2 1/2" clearance	5005741-X-26-XX (P/S)

Medeco U.S.
3625 Alleghany Drive
P.O. Box 3075
Salem, Virginia 24153-0330
Customer Service
1 877 633 3261
www.medeco.com

Medeco Canada
160 Four Valley Drive
Vaughan, Ontario, L4K 2T
Customer Service
1 888 633 3264

Patent pending and/or patent www.assaabloydss.com/patents

Medeco is a brand associated with ASSA ABLOY High Security Group, Inc., an ASSA ABLOY Group company. Copyright © 2019. ASSA ABLOY High Security Group, Inc. All rights reserved. Reproduction in whole or in part without the express written permission of ASSA ABLOY High Security Group, Inc. is prohibited. LT-548147-10