

## Filler Breathers: Bayonet Style



### Specifications

- Air flow to 30 CFM
- Compatible with petroleum-based fluids
- Self-tapping screws for flange mount
- Cork gaskets standard

### Standard Options

- Black e-coat, Chrome, or Zinc plated cap
- 10 or 40 microns
- 3", 6" or 8" stainless steel basket or 4" nylon basket
- Flanges: oblong hole, round hole, no hole and locking tab
- Lockable version

### How to Order

**STYLE** → **OBB - B - 40 - 4N - FO - B - D** ← **AVAILABLE OPTIONS**

**OBB** Breather, Bayonet  
**OBN** Breather, Bayonet, Non-vented

**CAP FINISH**  
**B** Black e-coat  
**C** Chrome  
**Z** Clear Zinc

**MICRON RATING**  
**00** Non-vent  
**10** 10 microns  
**40** 40 microns

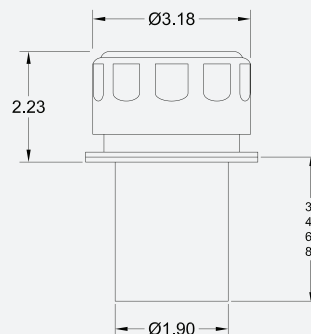
**BASKET STYLE**  
**omit** None  
**4N** 4" Nylon  
**3S** 3" Stainless, 30 mesh  
**6S** 6" Stainless, 30 mesh  
**8S** 8" Stainless, 30 mesh

**FLANGE**  
**FO** Oblong hole  
**FR** Round hole  
**FN** No hole  
**FL** Locking tab

**BASE COLOR**  
**B** Black e-coat  
**Z** Clear Zinc

**AVAILABLE OPTIONS**  
**omit** None  
**D** Dipstick  
**LT** Locking tabs  
**BG** Buna gaskets  
**NC** Neoprene impregnated cork gaskets  
**C** Chain  
*Details on p. 4*

### Dimensions inches



## Distributors Wanted!

## Filler Breathers: Threaded Style



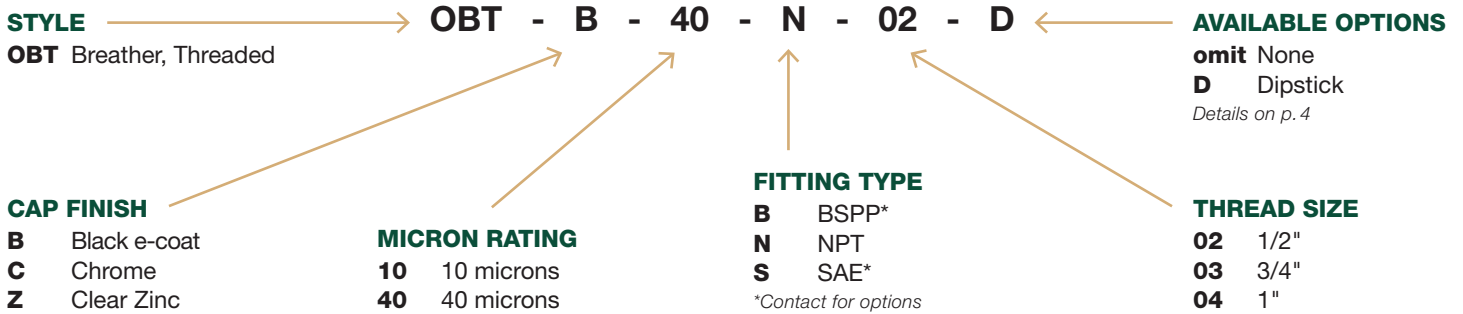
### Specifications

- Air flow to 30 CFM
- Compatible with petroleum-based fluids
- Temperature to 212°

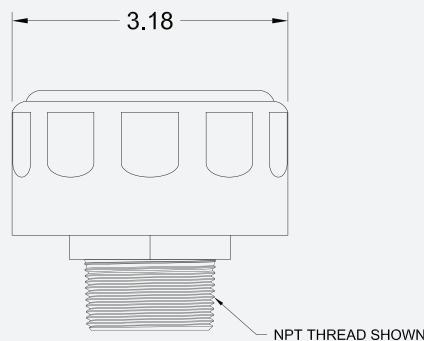
### Standard Options

- Black e-coat, Chrome, or Zinc plated cap
- 10 or 40 microns

### How to Order



### Dimensions inches



## Distributors Wanted!

## Filler Breathers: Pressure Caps



### Specifications

- Air intake valve opens at 0.435 PSI
- Compatible with petroleum-based fluids
- Temperature range: -22° F to 240° F
- Buna gaskets standard

### Standard Options

- Black e-coat, Chrome, or Zinc plated cap
- 10 or 40 microns
- 3", 6" or 8" stainless steel basket, or 4" nylon basket
- Lockable version

### How to Order

**STYLE** → **OBB-P - B - 40 - 5 - 4N - FO - N - 02 - D** ← **AVAILABLE OPTIONS**

**OBB-P** Bayonet-Pressure  
**OBT-P** Threaded-Pressure

**CAP FINISH**

**B** Black e-coat  
**C** Chrome  
**Z** Clear Zinc

**MICRON RATING**

**10** 10 microns  
**40** 40 microns

**RELIEF VALVE**

**5** 5 PSI

**BASKET STYLE** *Bayonet only*

**omit** None  
**4N** 4" Nylon  
**3S** 3" Stainless, 30 mesh  
**6S** 6" Stainless, 30 mesh  
**8S** 8" Stainless, 30 mesh

**FLANGE**

**FO** Oblong hole  
**FR** Round hole  
**FN** No hole  
**FL** Locking tab

**AVAILABLE OPTIONS**

**omit** None  
**D** Dipstick  
**LT** Locking tabs  
*Details on p. 4*

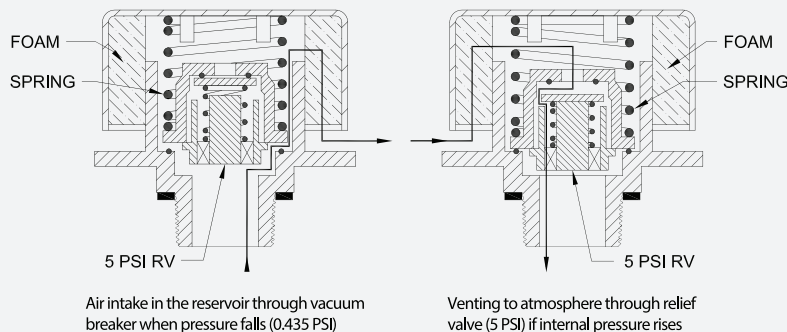
**THREAD SIZE OBT-P**

**02** 1/2"  
**03** 3/4"  
**04** 1"  
*NPT only*

**FITTING TYPE**

**B** BSPP\*  
**N** NPT  
**S** SAE\*  
*\*Contact for options*

### Operation



## Distributors Wanted!

## Filler Breathers: Available Options



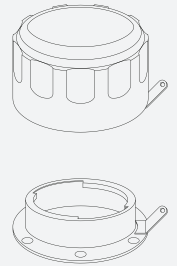
### Dipstick (D)

- Offered on all Bayonet and Threaded style breathers
- Dipstick marked "Full" and "Add"  
Consult factory for other wording
- Please supply drawing specifying lengths shown at right



### Locking Tab (LT)

- Offered on all Bayonet style breathers



### Chains (C)

- Offered on all Bayonet style breathers

### Stock Accessories

#### Nylon & Stainless Steel Baskets *30 mesh*

- Longer baskets permit faster pouring

