

Famic Technologies Inc. is proud to present the latest version of the **Cy.Pag Catalogue for Automation Studio™**. All of the digital products in this virtual catalogue are pre-configured with Cy.Pag's latest technical specifications and are compatible with the **Pneumatic Workshop of Automation Studio™**. Users may now quickly get access to Cy.Pag components for their systems integration and spend less time developing component models.

The catalogue features include a Product Configurator compatible with the manufacturer product options, technical documentation, product images and virtual test benches for user convenience. This complimentary package of Automation Studio™ has been developed in accordance with Famic's software certification process.

Catalogue Product List

The components have been categorised on the basis of the product family as specified on Cy.Pag's website (<https://cypag.com/en/categoria-prodotto/pneumatic-cylinders/>). The following products are now available in this catalogue:

Pneumatic Cylinders

○ Standard Cylinders

- ISO 6432 Mini Cylinders Ø8-25
- ISO 15552 Profiled Cylinders Ø32-125
- ISO 15552 Tie Rods Cylinders Ø32-125
- ISO 15552 Low Friction Cylinders Ø32-63
- ISO 15552 Easy Line Cylinders Ø32-100
- ISO 15552 Cylinders Ø160-200
- ISO 15552 Cylinders Ø250-320
- ISO 21287 Compact Cylinders Ø20-100
- UNITOP Compact Cylinders

○ Non-Standard Cylinders

- CP 95 Round Cylinders Ø32-63
- CP 04 Round Cylinders Ø32-40
- E Series Mini Cylinders Ø16-25
- E Series Round Cylinders Ø32-63
- Compact Cylinders Ø125-200
- Guided Compact Cylinders Ø10-63
- Twin Rods Cylinders Ø32-63
- Cartridge Cylinders Ø6-16

○ Stainless Steel Standard Cylinders

- ISO 6432 Stainless Steel Mini Cylinders Ø16-25
- ISO 15552 AISI304 Stainless Steel Cylinders Ø32-125
- ISO 15552 Stainless Steel Cylinders Ø160-200
- ISO 15552 AISI316 Stainless Steel Cylinder Ø32-200
- ISO 21287 Stainless Steel Cylinders Ø20-100

○ Stainless Steel Non-Standard Cylinders

- CP 95 Stainless Steel Round Cylinders Ø32-63
- CP 04 Stainless Steel Round Cylinders Ø32-40



Ex. : ISO 6432 Mini-Cylinder - Double Acting, Non-Magnetic

Product Selection and Configuration

The **Catalogue Manager** of **Automation Studio™** consists of three sections as shown in Figure 1. The first section (1) contains a catalogue tree similar to the manufacturer’s website where a user can easily find a component as per the requirements. In the catalogue tree, components have been categorised as per their types and function. The second section (2) consists of different tabs where the user can get information like the technical data, images of the selected component. The “Documents” tab of this section contains the application test file and the manufacturer’s technical specifications of the product. Section (3) shows a “Set Specific Part Number” function button which opens the “Product Configurator” window as shown in Figure 2.

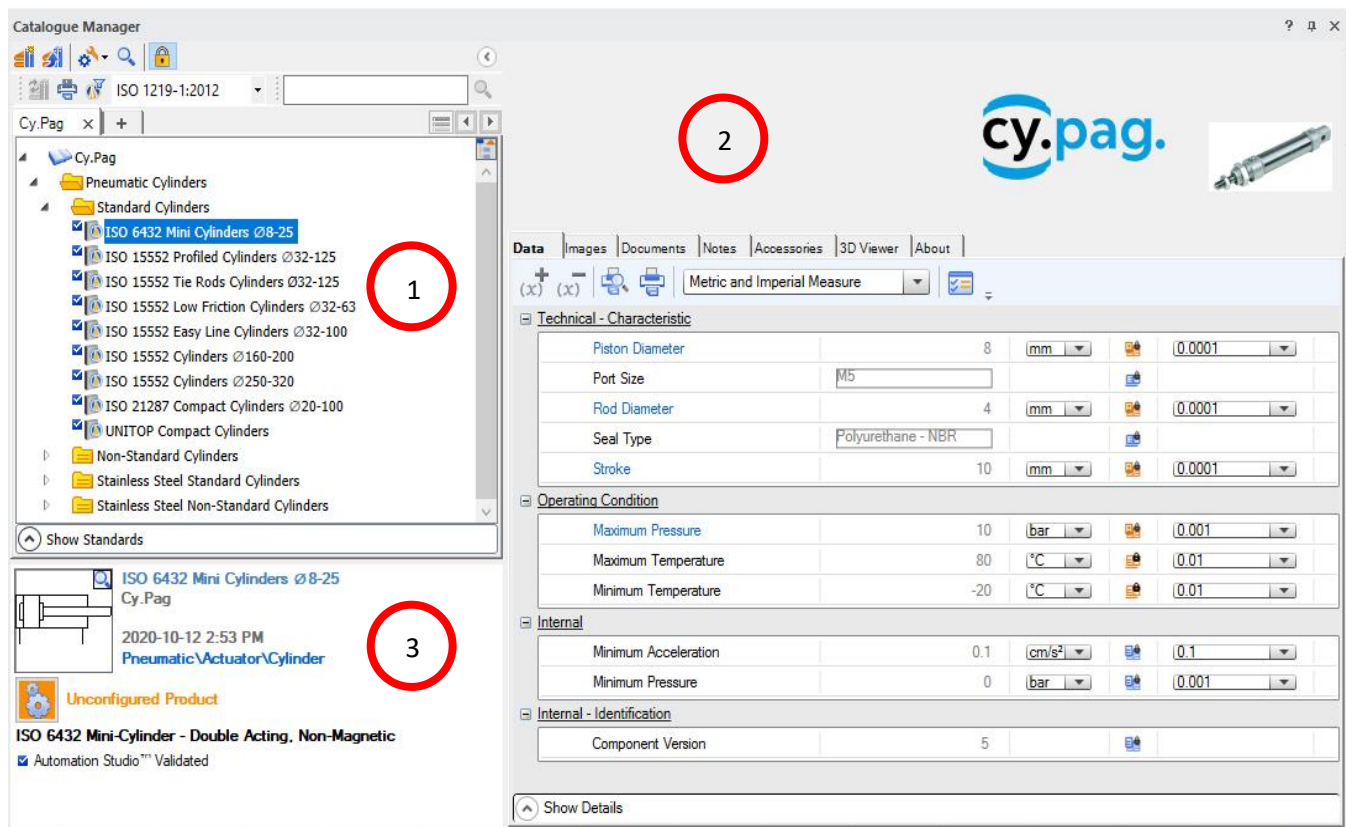


Figure 1: Catalogue Manager Window Displaying Technical Data and Symbol for ISO 6432 Mini Cylinder

Using the “Product Configurator”, the user can easily select specific product characteristics and configure the manufacturer-specific part number of the component. The options to choose the desired Piston Diameter, Stroke, Design Type, Seals and Multiple Additional Variants (as required) are available. The product information, technical data and symbol get updated with the selected options. The “Symbol Viewer” button (refer to Figure 2) allows the user to magnify the view of the configured component’s symbol. All these Catalogue Manager features were designed to enable the user to easily choose and configure pre-modelled components. Users may now simply drag and drop the desired component into the editor area of Automation Studio™ for circuit integration. The component models can be directly used for the design of a pneumatic circuit, real-time simulation or monitoring in Automation Studio™.

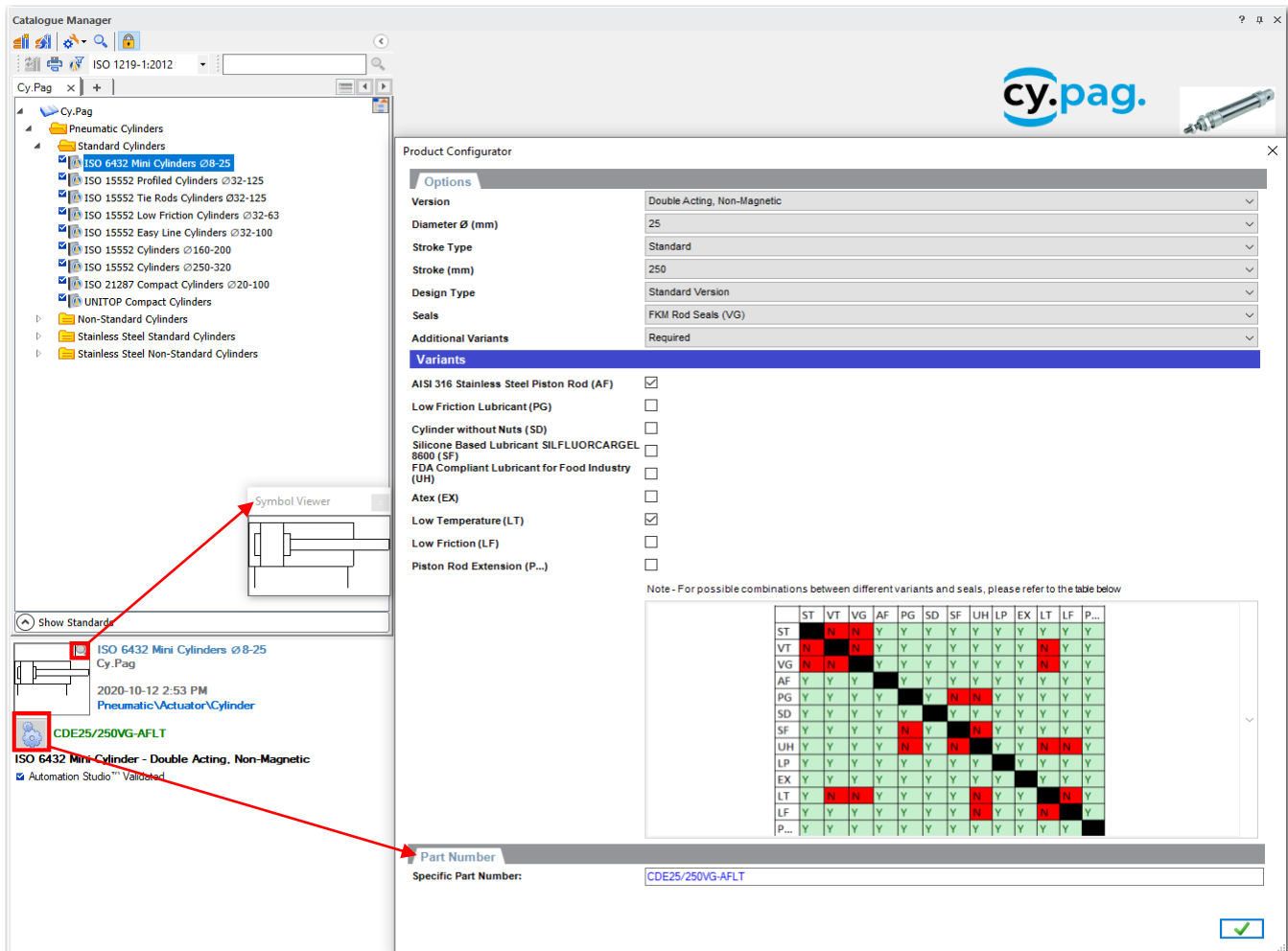


Figure 2: A Configured Part Number of ISO 6432 Mini Cylinder Ø8 – 25 using the Catalogue Manager’s Product Configurator

Product Test and Application

The components in the catalogue are configured and tested for various Piston Diameters, Stroke values and design types for a particular selected version (cylinder type) at a 10 millisecond interval simulation pace. The simulation models take into consideration each product’s performance data available on the manufacturer website and (or) the manufacturer specification sheet and adjust them to the specific project working conditions (Pressure, Ambient temperature, etc.). For example, to demonstrate the working of different cylinder types, an application test is simulated as shown in Figure 3. With this test, the operation cycle of a double acting cylinder configured at a desired stroke is verified. This virtual test bench is available in the catalogue.

Double Acting Application Test

INSTRUCTIONS

1. Start the simulation.
2. Activate the lever to select the left spool of the directional control valve (1)
3. Observe that the cylinder extends to a configured stroke of 500 mm.
4. Release the lever to select the right spool of the directional control valve (1)
5. Observe that the cylinder retracts to its initial position

TITLE: Mini Cylinders ISO 6432

MANUFACTURER: Cy.Pag

DESIGNED BY: Famic Technologies Inc. | **DATE:** 2020-10-09 | **AUTOMATION STUDIO VERSION:** 6.4.0.10307 | **REVISION NUMBER:** 001

© Famic Technologies Inc.

Figure 3: Cylinder Application Test (Double Acting Version) for ISO 6432 Mini Cylinders Ø8-25

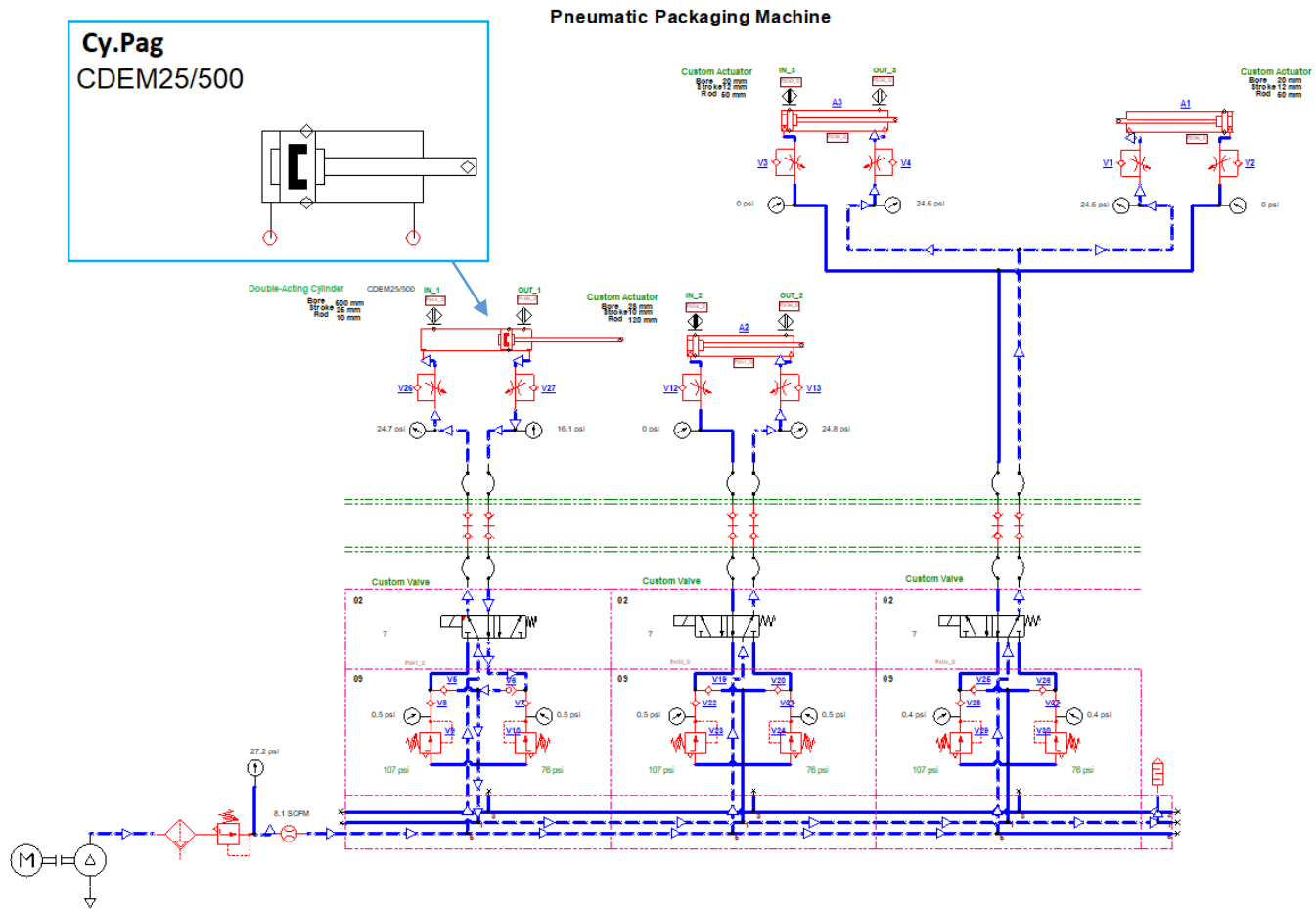


Figure 4: An Application Project in Automation Studio™ Featuring Ready to Simulate ISO 6432 Mini Cylinder.

Figure 4 features a ready to simulate Cy.Pag’s ISO 6432 Mini Cylinders Ø25mm drag and dropped from the catalogue into a packaging machine application circuit in Automation Studio™. It demonstrates that the same size components are compatible and can be quickly configured and combined into industry-relevant applications.

These test cases demonstrate how pneumatic circuits containing **Cy.Pag** components can be quickly simulated, analysed and monitored in real-time using the latest version of the **Automation Studio™ Catalogue**.

For more details about this catalogue, please contact our Support Team at support@famictch.com.

Famic Technologies Inc.