



SONOMA CAST STONE  
CONCRETE INNOVATIONS  
CONCRETEWINETANKS.COM

# SuperEgg Concrete Tank

1,004 G / 3,800 L

Dry Wt: 8,950 lbs / 4,060 kg



Sonoma Cast Stone's 476-gallon concrete egg tank was already the largest and best-engineered egg tank available. At more than twice the capacity, our newest SuperEgg gives you all the benefits of both concrete and the coveted egg shape in a much larger vessel.

Like our Classic Egg, the Amphora, and our new Tulip wine tanks, you can only get the organic shape of the SuperEgg from concrete. These shapes are known to promote fermentation by allowing natural and thorough circulation, with no straight-edged corners for the wine to pocket in. In addition, the curved, dome-like tops of these tanks have the great advantage of forcing grapes downward into the fluid to reduce the need for labor-intensive punch-down.

Concrete allows wine to showcase its true terroir and taste more like where it's from with pure fruit favor and enhanced mouthfeel. Finally, get all the benefits of concrete fermentation in nature's perfect shape but at a greater capacity than ever before and reduced cost per gallon.

Only Sonoma Cast Stone concrete wine tanks are guaranteed not to crack or leak for ten years. Choice of color and logo placement. Made in America.



# SUPEREGG / North American Specs

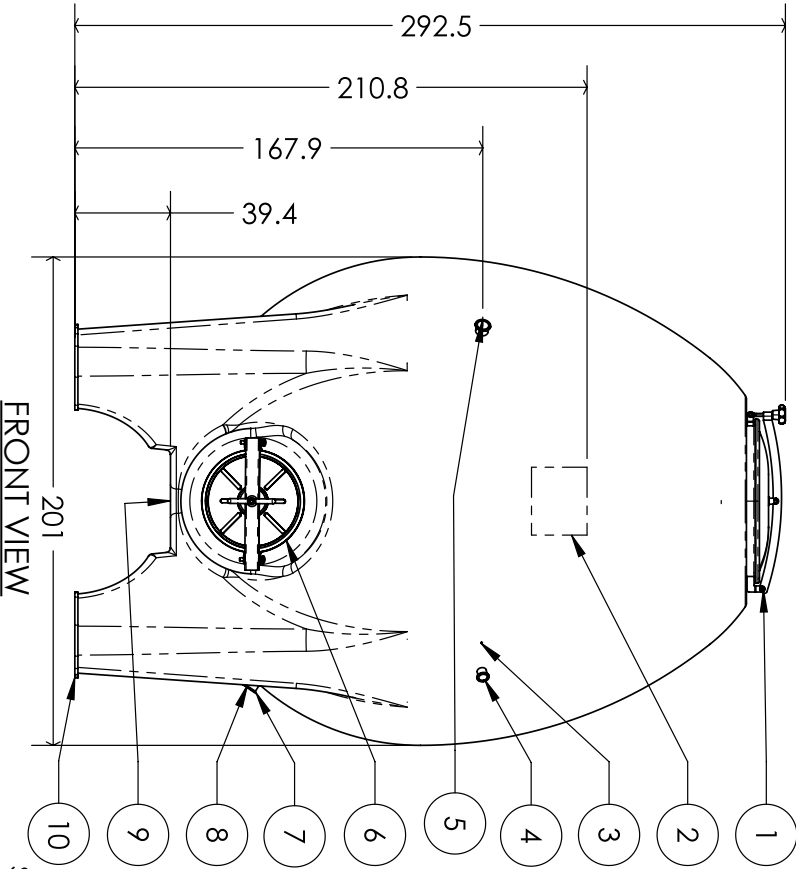
1,004 G / 3,800 L

Dry Wt: 8,950 lbs / 4,060 kg

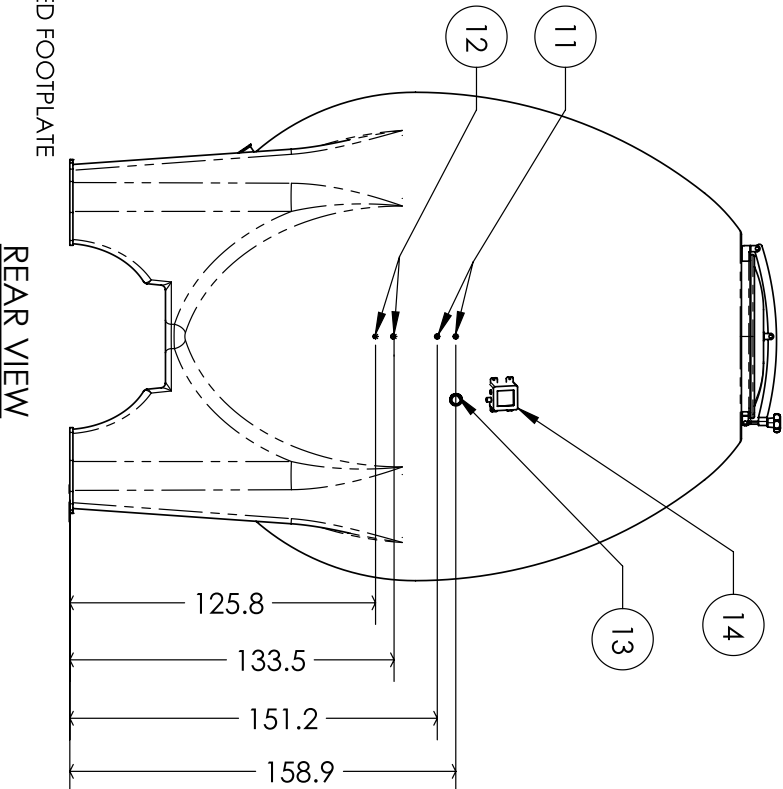
## NORTH AMERICAN SPECS

The Tank You Purchase May Not Include All Of These Items. Some Are Standard, And Some Are Optional.

ITEM NO.	DESCRIPTION
1	Ø24.5"/ 620mm TOP MANWAY w/ 2" T.C. VENT
2	CUSTOMER LOGO
3	THREADED INSERT FOR TAG CLIP
4	THERMOWELL PORT: 1 1/2" T.C.
5	SAMPLE/ WASHING PORT: 2" T.C. w/ VALVE
6	Ø1 6"/ 400mm FRONT POMACE DOOR
7	RACKING PORT: 2" T.C.
8	RACKING ARM (not pictured)
9	DRAIN PORT: 2" T.C.
10	ADJUSTABLE SEISMIC HOLD DOWN LEGS (not pictured)



1/2" FIXED FOOTPLATE SHOWN



ITEM NO.	DESCRIPTION
11	TEMP. CONTROL: UPPER COIL GLYCOL FITTINGS: 3/4" F.P.T.
12	TEMP. CONTROL: LOWER COIL GLYCOL FITTINGS: 3/4" F.P.T.
13	REAR THERMOWELL PORT: 1 1/2" T.C.
14	TankNet PL-1 - Specify 120VAC or 12VDC

CAPACITY: 1,004 GAL [3800L]  
 WEIGHT: 8,950 LB [4060 KG]





# SUPEREGG / South American Specs

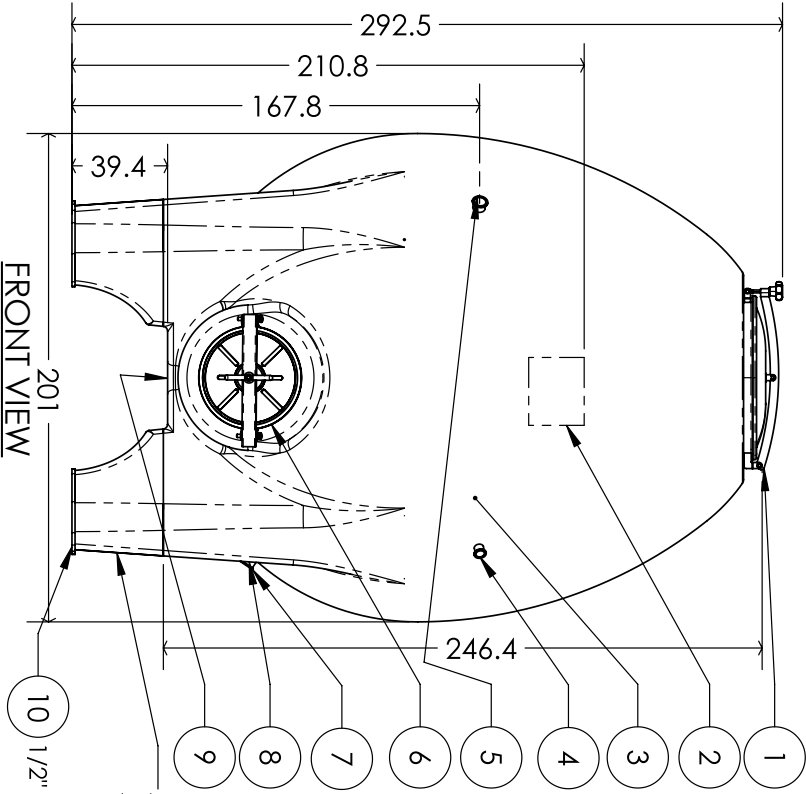
1,004 G / 3,800 L

Dry Wt: 8,950 lbs / 4,060 kg

## SOUTH AMERICAN SPECS

The Tank You Purchase May Not Include All Of These Items. Some Are Standard, And Some Are Optional.

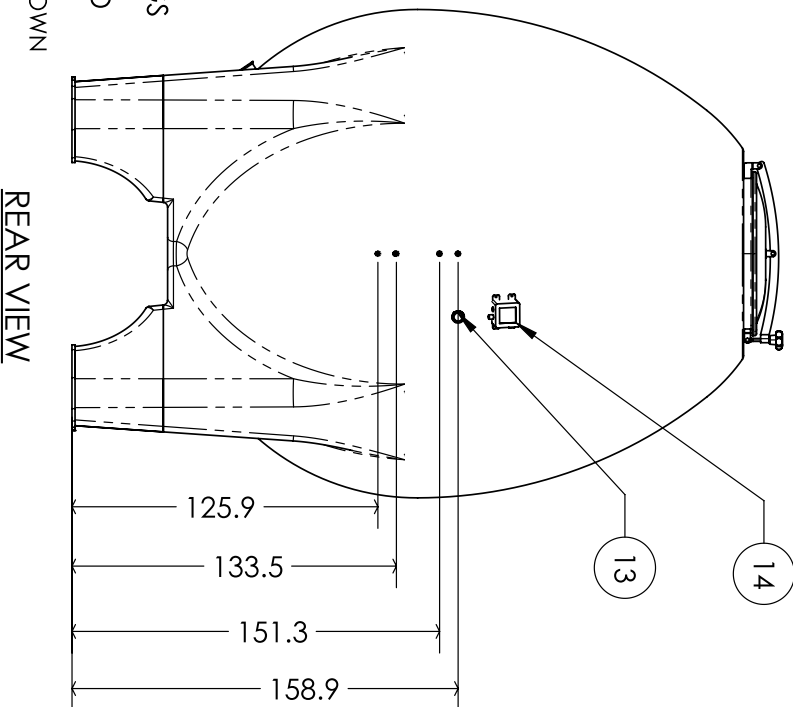
ITEM NO.	DESCRIPTION
1	Ø620mm TOP MANWAY w/ DN50 VENT ADAPTOR
2	CUSTOMER LOGO
3	THREADED INSERT FOR TAG CLIP
4	THERMOWELL PORT: 3/4" FPT
5	SAMPLE PORT: 1/2" FPT
6	Ø400mm FRONT POMACE DOOR
7	RACKING PORT: DN50 MALE (adaptor on 2" T.C.)
8	RACKING ARM
9	DRAIN PORT: 2" T.C. w/ DN50 MALE ADAPTOR
10	ADJUSTABLE SEISMIC HOLD DOWN LEGS



ITEM NO.	DESCRIPTION
11	TEMP. CONTROL: UPPER COIL GLYCOL FITTINGS: 3/4" F.P.T.
12	TEMP. CONTROL: LOWER COIL GLYCOL FITTINGS: 3/4" F.P.T.
13	REAR THERMOWELL PORT: 3/4" FEMALE
14	TANKNET PL-1- SPECIFY 120VAC OR 12VDC

CAPACITY: 3800L  
 WEIGHT: 4060KG

LENGTH UNITS ARE IN CENTIMETERS



SHIPPED WITH LEGS  
 SEPARATE. TO BE  
 INSTALLED IN FIELD





## AUSTRALIAN SPECS

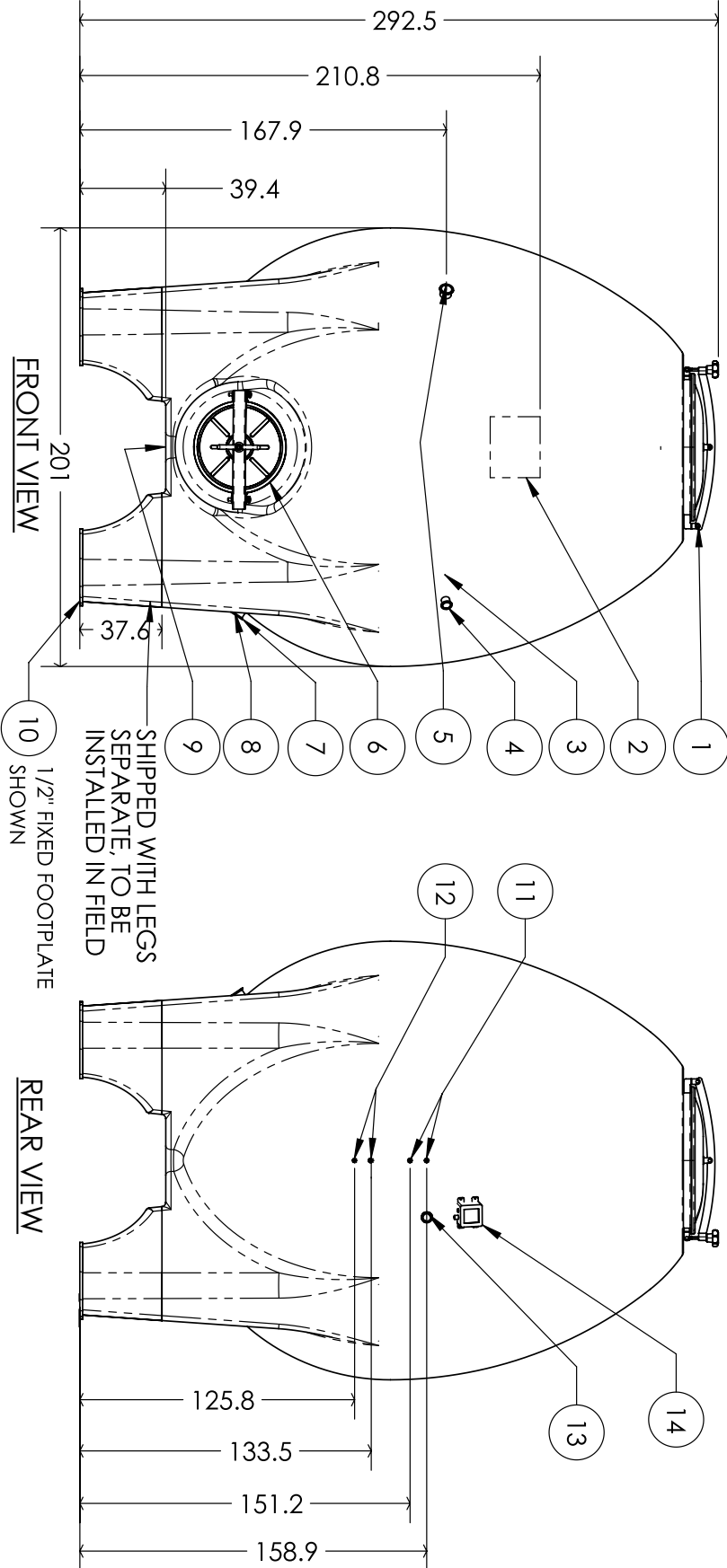
The Tank You Purchase May Not Include All Of These Items. Some Are Standard, And Some Are Optional.

ITEM NO.	DESCRIPTION
1	Ø620mm TOP MANWAY w/ 2" T.C. & BSM (RJT) ADAPTOR
2	CUSTOMER LOGO
3	SAMPLE PORT: 1/2" BSPP (Parallel Pipe thread) FEMALE
4	THERMOWELL PORT: 3/4" BSPP (parallel pipe thread)
5	THREADED INSERT FOR TAG CLIP
6	Ø400mm FRONT POMACE DOOR
7	RACKING PORT: 2" T.C. w/ BSM (RJT) ADAPTOR
8	RACKING ARM
9	DRAIN PORT: 2" T.C. w/ BSM ADAPTOR
10	ADJUSTABLE SEISMIC HOLD DOWN LEGS

ITEM NO.	DESCRIPTION
11	TEMP. CONTROL: UPPER COIL GLYCOL FITTINGS: 3/4" F.P.T.
12	TEMP. CONTROL: LOWER COIL GLYCOL FITTINGS: 3/4" F.P.T.
13	REAR THERMOWELL PORT: 3/4" BSPP (parallel pipe thread)
14	TankNet PL-1 - Specify 120VAC or 12VDC

CAPACITY: 3800L  
 WEIGHT: 4060 KG

LENGTH UNITS ARE IN CENTIMETERS







SONOMA CAST STONE  
 CONCRETE INNOVATIONS  
 CONCRETEWINETANKS.COM

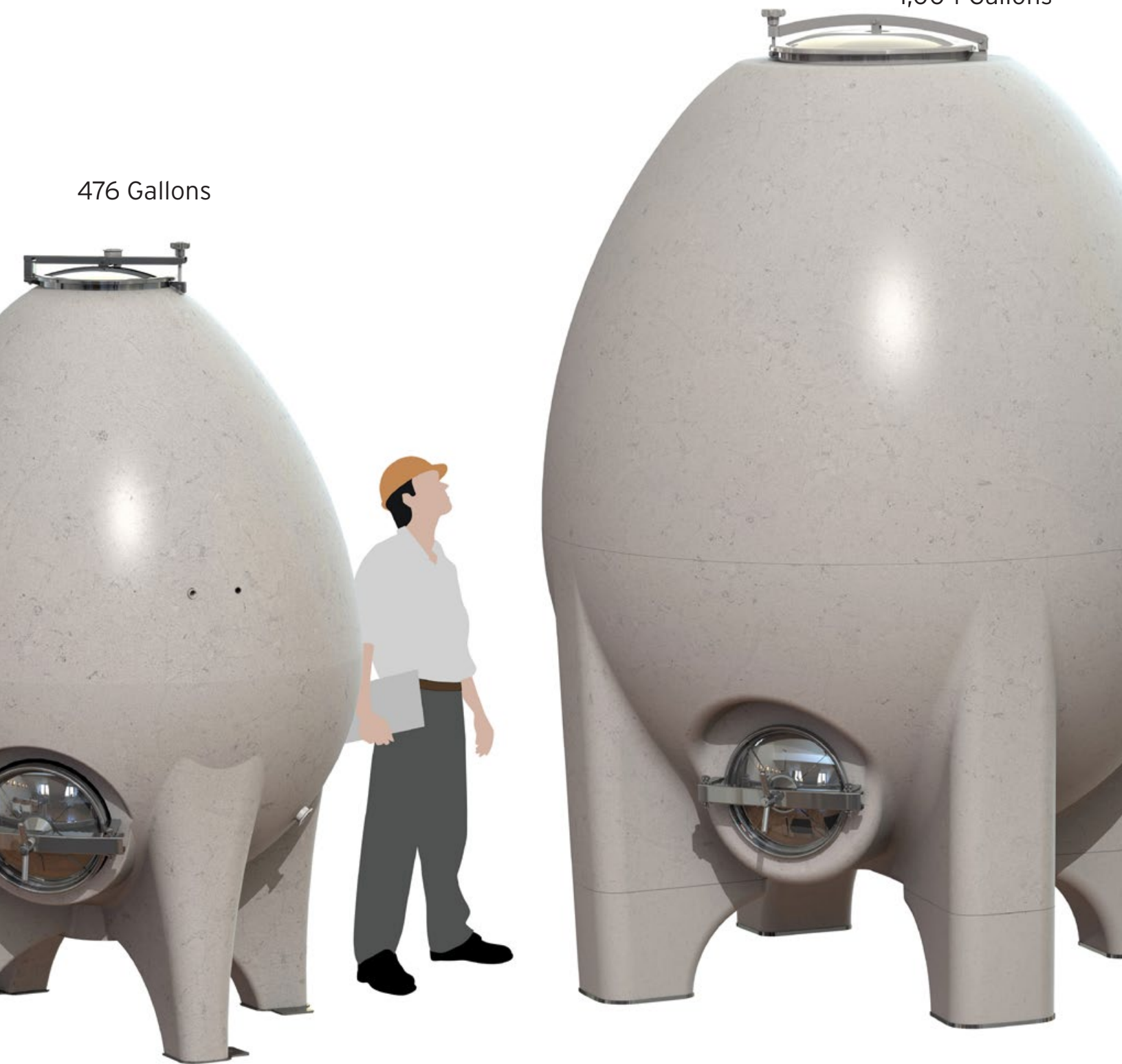
# SuperEgg Concrete Tank

1,004 G / 3,800 L

Dry Wt: 8,950 lbs / 4,060 kg

1,004 Gallons

476 Gallons



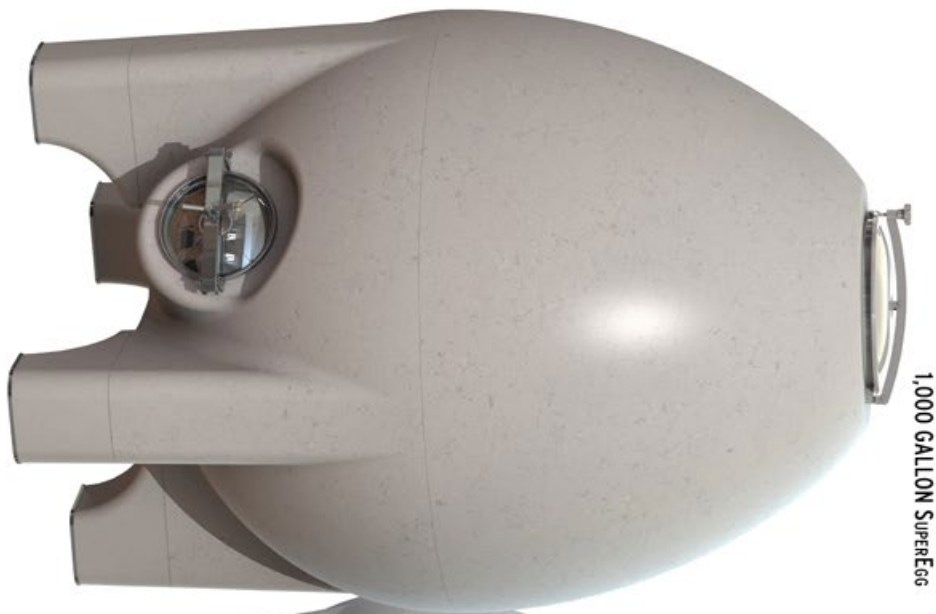


SONOMA CAST STONE  
 CONCRETE INNOVATIONS  
 CONCRETEWINETANKS.COM

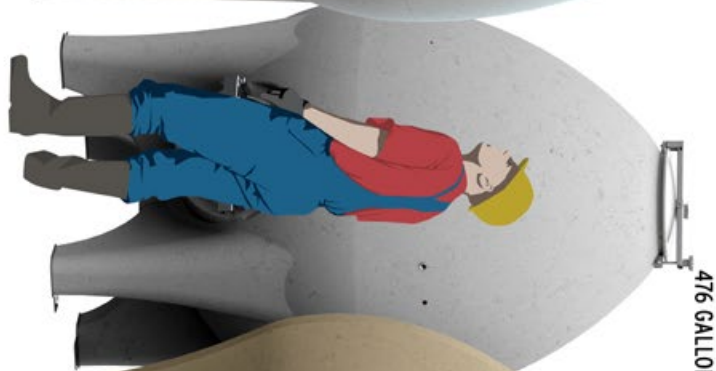
# SuperEgg Concrete Tank

1,004 G / 3,800 L

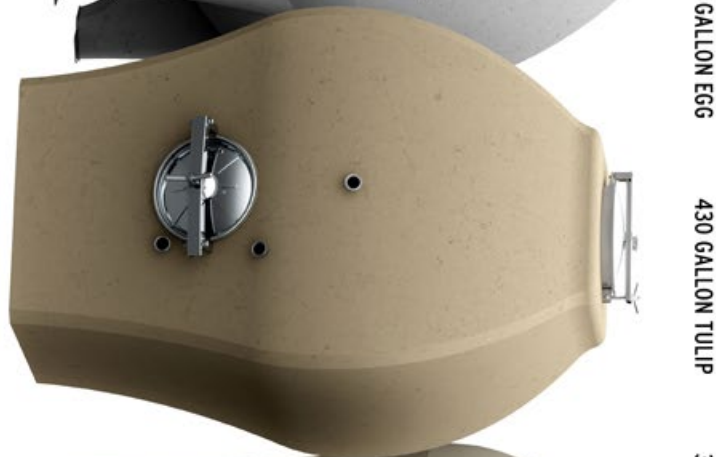
Dry Wt: 8,950 lbs / 4,060 kg



1,000 GALLON SuperEgg



476 GALLON EGG



430 GALLON TULIP



320 GALLON AMPHORA







SONOMA CAST STONE  
CONCRETE INNOVATIONS  
CONCRETEWINETANKS.COM

# SuperEgg Concrete Tank

1,004 G / 3,800 L

Dry Wt: 8,950 lbs / 4,060 kg







SONOMA CAST STONE  
CONCRETE INNOVATIONS  
CONCRETEWINETANKS.COM

# SuperEgg Concrete Tank

1,004 G / 3,800 L

Dry Wt: 8,950 lbs / 4,060 kg







**SONOMA CAST STONE**  
**CONCRETE INNOVATIONS**  
 CONCRETEWINETANKS.COM

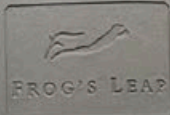
# SuperEgg Concrete Tank

1,004 G / 3,800 L

Dry Wt: 8,950 lbs / 4,060 kg



Sonoma Cast Stone  
406 & 408



EXHIBITOR

EXHIBITOR