

HELOS™

Luminaires for Parking Garages

HPG14 SERIES

PRODUCT FEATURES:

- » Unique hexagonal light guide with edge-lit LED light engine provides three distribution options - Type V, Rectangular and Drive Lane
- » Lightweight construction (7 lbs) for ease of installation
- » Nominal output range of 4,000 to 10,000 lm
- » Compatible with TekLink™ lighting control technology



SPECIFICATIONS

HOUSING: Die-cast aluminum and UV-stabilized polycarbonate construction. Standard TGIC polyester powder coat finish on aluminum components with five-step pre-treatment to withstand 1,000 hour salt spray test per ASTM B117. See Ordering Information for available finishes. Closed-cell gasketing seals all housing component interfaces.

MOUNTING: Direct-to-Surface (DTS) mounts over recessed electrical box to ceiling, Quick-Mount (QM) mounts to either surface or recessed electrical box, Trunnion Mount (TK) or pendant-mounted (PM) via 3/4" rigid sealed conduit. See Ordering Information for selection. Fixture weight is 7 lbs.

OPTICAL: Type V-Wide (5W), Rectangular Wide (RW) and Drive Lane (DL) optical distribution options. Light guide outer lens constructed of clear UV-stabilized polycarbonate.

ELECTRICAL: Edge-lit mid-power LED light source. See Ordering Information for color temperature options. 80 CRI minimum. 120-277 VAC, 347VAC and 480VAC 50/60Hz input; constant-current dimming driver; <20% THD, >0.90 PF. Minimum 83% electrical efficiency. 0-10V dimming protocol with 1-100% range and dim-to-dark capabilities, 0.2mA source current. Surge and transient protection rated at 6kV per ANSI C62.41-2002 and 10kV per ANSI C82.77-5 2015. 20kA max. transient protection (L-N). Replaceable surge suppressor. Driver is EMC compliant with FCC 47 CFR Part 15, Class B. Passes IEC 61000-4-4 EFT and IEC 61000-4-5 (Class 4) surge evaluation.

TEKLINK™ TL50M/TL50DM: An independent lighting control system integral to the luminaire, featuring its own embedded occupancy sensor and adjustable time-out/dimming settings. TL50DM adds a closed-loop daylight harvesting function for maximum energy savings.

TEKLINK™ TL100: Centralized, wired zonal occupancy and closed-loop daylight harvesting control system. TL100 controllers are standalone devices and ordered separately from luminaire. [Click here for specifications.](#)

TEKLINK TL200M/TL200DM: A wireless, zonal occupancy control system (BLE v5.2) with embedded sensor. Mobile app for Android and iOS device allows changes to time-out period, turn-off delay and light level. System commissioning is not required - network is operational upon power-up. TL200DM adds the daylight harvesting function for maximum energy savings.

TEKLINK™ TL1000/2000: An adaptive lighting control system with wired or wireless communication between system nodes. In addition to occupancy detection and daylight harvesting, TL1000 and TL2000 feature advanced scheduling and energy management capabilities with cloud-based management of system settings, reporting and notifications.

SENSOR & CONTROLS: Optional sensor available with compatible third party controls. To see the full list of compatible controls, [click here.](#)

PHOTOMETRICS: Photometry tested to the IESNA LM-79-08 standard by an ILAC/ISO17025 accredited laboratory. For photometric data, please go to www.kenall.com.

WARRANTY: Limited five (5) year warranty. Peace of Mind Guarantee® when ordered and installed with direct-to-surface (DTS) mounting.

LISTINGS: Luminaire is certified to UL Standards by Intertek Testing Laboratory for Wet Location. IP66 rating per IEC 60598 standard. Suitable for installation into -35°C to 40°C ambient environments, unless otherwise noted. Passes 3G vibration test per ANSI C136.31-2001.



ORDERING INFORMATION (Ex: HPG14-PM-MW-5W-CP-50L-40K8-DIM1-DV-FS-TL200)

Model	Mounting	Finish	Optic Type	Lens Type	Lamp Power	Lamp Color	Driver Type	Voltage	Options	Accessories	TekLink	Controls Kit
HPG14				CP			DIM1					<>
Mounting			Lamp Power			Driver Type			TekLink			
DTS	Direct-to-Surface			30L	30W LED (DL optic only)		DIM1	0-10V Dimming to 1% with Dim-to-Dark			TL50M*	Non-Networked Control - Motion Only (Click here for specifications)
PM	Pendant Mount			35L^	35W LED						TL50DM*	Non-Networked Control - Daylight Harvesting and Motion Sensing (Click here for specifications)
TK	Trunnion Kit			40L^	40W LED		Voltage				TL200M*	Wireless Networked Control - Motion Only (Click here for specifications)
QM	Quick Mount System			50L^	50W LED		DV	120-277 Volts (50/60Hz)			TL200DM*	Wireless Networked Control - Daylight Harvesting and Motion Sensing (Click here for specifications)
				70L*	70W LED		347	347 Volts (60Hz)			TL1000*	Wired Network Control - Advanced (Click here for specifications)
							480	480 Volts (60Hz)			TL2000*	Wireless Network Control - Advanced (Click here for specifications)
Finish			Lamp Color			Options			Accessories			
MW	Matte White (STD)			30K8	3000K/80CRI min		LEL*	Integral 10W Emergency Battery Backup (0°C min. ambient)				Please consult Kenall Applications when ordering controls. Mounting heights above 14' may require alternate sensing technology.
LG	Light Gray			35K8	3500K/80CRI min		CEL*	Integral 10W Cold Weather Battery Backup (-20°C min ambient)				
CC	Custom Color (consult factory)			40K8	4000K/80CRI min		GTDU*	UL924 and UL1008 Listed Switch Bypass/Lighting Transfer Switch with 0-10V Dimming Override (not available with LEL/CEL Option)				
				50K8	5000K/80CRI min		FS	Single Fuse & Holder				
Optic Type			Controls Kit			Accessories						
5W	Type V – Wide Circular						BG	Bird Guard (DTS and QM Mounting only)			<>	Factory Assigned Internal Code
RW	Rectangular – Wide											
DL	Drive Lane / Type 4											
Lens Type												
CP	Clear Polycarbonate											

^ Not available with DL optic
* Not available with DL and RW optic
+ DV input voltage only. Not available with 70L lamp power.



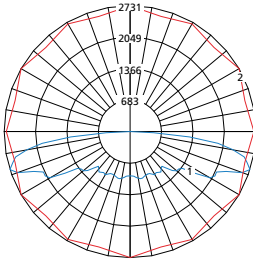
HELOS™
Luminaires for Parking Garages
HPG14 SERIES

For additional photometry, go to www.kenall.com

Optic		Lamp Power	Initial Delivered Lumens, By Lamp Color (lm)				Efficacy (lm/W)	Input Power (W)	TM-21 Reported L70 (hrs)	Delivered Output in LEL Battery Mode (lm)
Distribution	Lens Type		30K8	35K8	40K8	50K8				
5W	CP	35L	5,083	5,257	5,380	5,414	127 - 135	40	>102,000	1,350
		40L	5,741	5,938	6,076	6,116	126 - 135	45		
		50L	7,004	7,245	7,414	7,462	125 - 133	56		
		70L	9,466	9,791	10,019	10,084	120 - 128	79		N/A
RW	CP	35L	5,015	5,187	5,308	5,342	123 - 131	41	>102,000	1,310
		40L	5,642	5,836	5,971	6,010	122 - 130	46		
		50L	6,821	7,055	7,219	7,266	119 - 127	57		
DL	CP	30L	3,941	4,077	4,172	4,199	110 - 117	36	>102,000	1,170

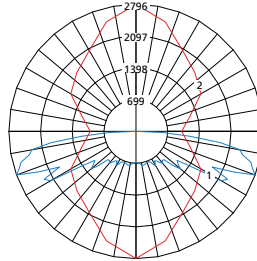
Information above is subject to change without notice. Visit www.kenall.com for IES files and additional information.

Model: HPG14-~~www-xx-5W-CP-70L-40K8-DIM1-yyy-zzzz~~



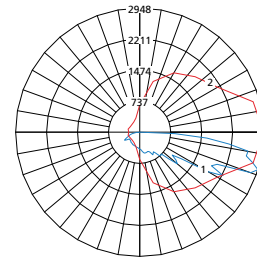
Max Candela = 2731 Located At Horizontal Angle = 30, Vertical Angle = 72.5
 1 - Vertical Plane Through Horizontal Angles (30 - 210) (Through Max. Cd.)
 2 - Horizontal Cone Through Vertical Angle (72.5) (Through Max. Cd.)

Model: HPG14-~~www-xx-RW-CP-50L-40K8-DIM1-yyy-zzzz~~



Max Candela = 2796 Located At Horizontal Angle = 90, Vertical Angle = 70
 1 - Vertical Plane Through Horizontal Angles (90 - 270) (Through Max. Cd.)
 2 - Horizontal Cone Through Vertical Angle (70) (Through Max. Cd.)

Model: HPG14-~~www-xx-DL-CP-30L-40K8-DIM1-www-zzzz~~



Max Candela = 2948 Located At Horizontal Angle = 0, Vertical Angle = 72.5
 1 - Vertical Plane Through Horizontal Angles (0 - 180) (Through Max. Cd.)
 2 - Horizontal Cone Through Vertical Angle (72.5) (Through Max. Cd.)

LUMEN AMBIENT TEMPERATURE (LAT) FACTORS

Avg. Ambient Temperature	10°C	15°C	20°C	25°C	30°C	35°C	40°C
Lumen Output Factor	1.03	1.02	1.01	1	0.99	0.98	0.97



www.kenall.com | P: 800-4-Kenall | F: 262-891-9700 | 10200 55th Street Kenosha, Wisconsin 53144, USA

This product complies with the Buy American Act: manufactured in the United States with more than 50% of the component cost of US origin. It may be covered by patents found at www.kenall.com/patents. Content of specification sheets is subject to change; please consult www.kenall.com for current product details. ©2022 Kenall Mfg. Co.

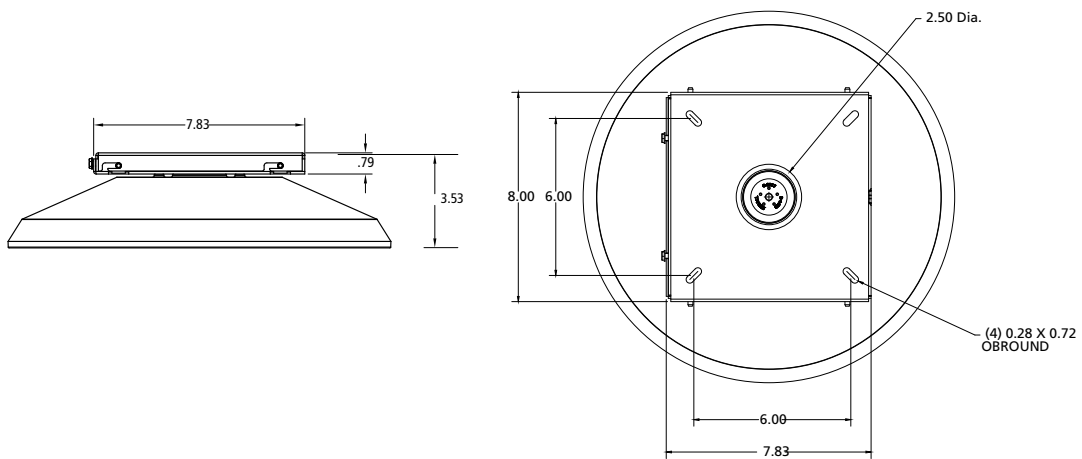
A brand of **legrand**

HELOS™
Luminaires for Parking Garages

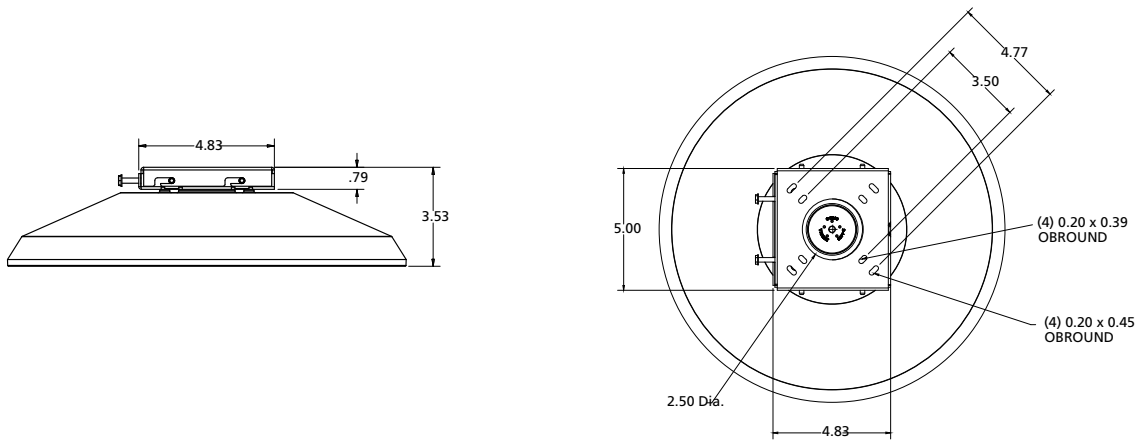
HPG14 SERIES

MOUNTING DIMENSIONAL DATA

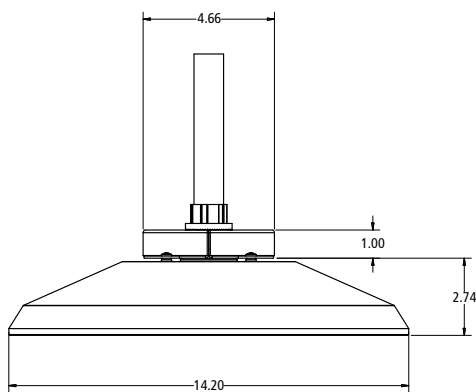
Direct-to-Surface



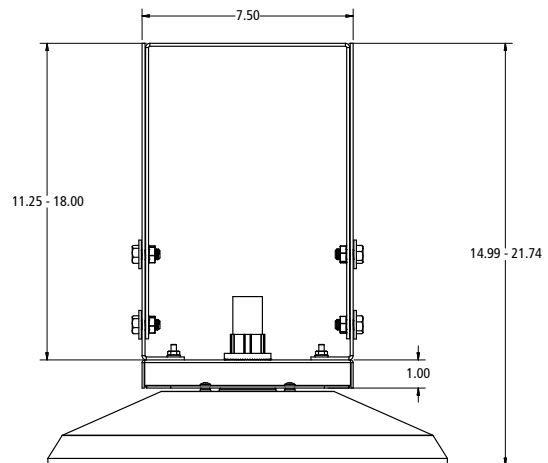
Quick Mount System



Pendant Mount



Trunnion Kit



www.kenall.com | P: 800-4-Kenall | F: 262-891-9700 | 10200 55th Street Kenosha, Wisconsin 53144, USA

A brand of **legrand**

This product complies with the Buy American Act: manufactured in the United States with more than 50% of the component cost of US origin. It may be covered by patents found at www.kenall.com/patents. Content of specification sheets is subject to change; please consult www.kenall.com for current product details. ©2022 Kenall Mfg. Co.